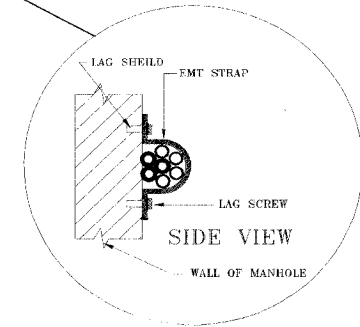
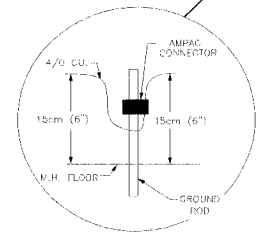
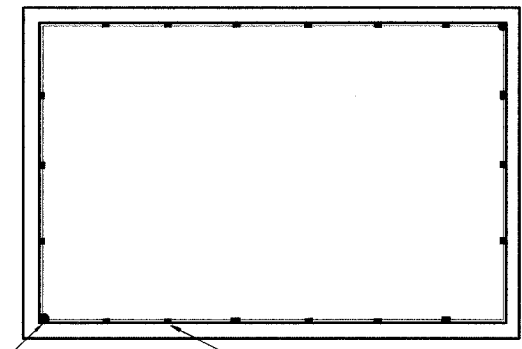


F.A. RTE. 2552	SECTION 00-0014-00-PV	COUNTY DUPAGE	TOTAL SHEETS 563	SHEET NO. 273
STA. TO STA.		FED. ROAD DIST. NO. ILLINOIS FED. AID PROJECT CONTRACT 63024		

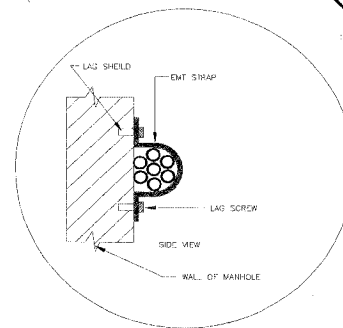
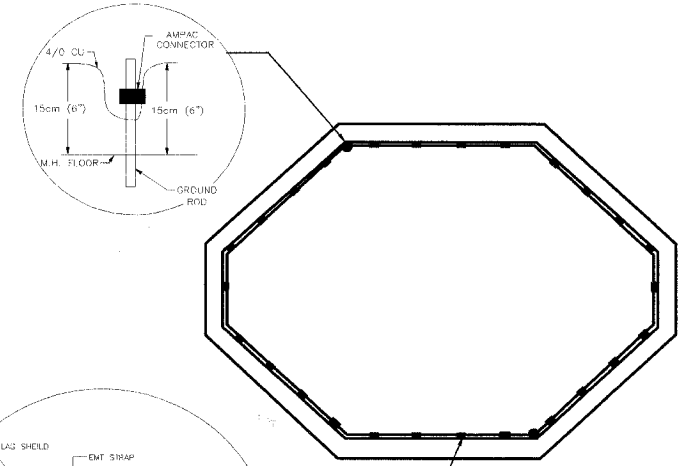


Item Code	Description 1	Description 2	QTY	UOM	UOM-C	UOM-R
280 107 00070	CU BARE SD	4/0 7-STR	40	40		
283 156 00030	GROUND ROD, COPPER CLAD	5/8" X 5' USE TO FOOTER	4		4	
283 156 00040	COUPLING BRONZE	5/8" ROD	2			2
284 189 00460	LAG SHIELD, LEAD SHEET	1/4"	26			
284 189 00470	LAG SCREW, SS	1/4" X 1"	26		26	
285 199 00020	STRAP, EMT	1/2" SS	26		26	
286 100 00260	CONNECTOR, WEDGE CU	4/0 STR(7) - 4/0 STR(7)	1			1
286 100 00320	CONNECTOR, WEDGE CU	4/0 STR(7) - 5/8" ROD	2			2
286 101 00010	SHELL, WEDGE AMP	WHITE	3			3

- KEEP 4/0 CU IN ONE PIECE AROUND INNER WALL; TIE TOGETHER WITH ONE AMPAC. 4/0 IS SUPPORTED ALONG INNER WALL OF M.H., 15cm (6") ABOVE M.H. FLOOR, AT (2 FOOT) INTERVALS.
- COPPER STRAP AND LEAD ANCHOR SHALL BE INSTALLED AT 60cm (TWO FOOT) INTERVALS.
- THE TWO KNOCKOUTS IN THE FLOOR SHOULD BE USED. IF SOLID ROCK IS ENCOUNTERED UNDER THE MANHOLE, REFER TO ENGINEERING.
- TWO 1.5 METER (5') GROUND RODS AND ONE COUPLING SHOULD BE INSTALLED WITH A DRIVING STUD PER KNOCKOUT.

ASSEMBLY CODES
CODE QTY DESCRIPTION
UOMH 1 GROUNDING MANHOLE

INFERVILLE PUBLIC UTILITIES DEPARTMENT ELECTRIC DIVISION	<b>GROUNDING DETAIL TYPE "A" MANHOLE</b>	DATE: 08-17-04 <b>C30-1140</b>
---	--	-----------------------------------

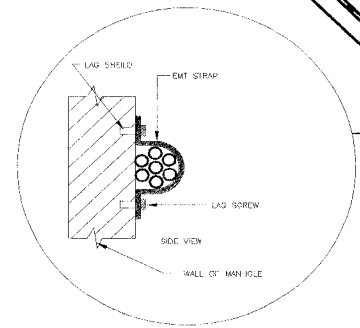
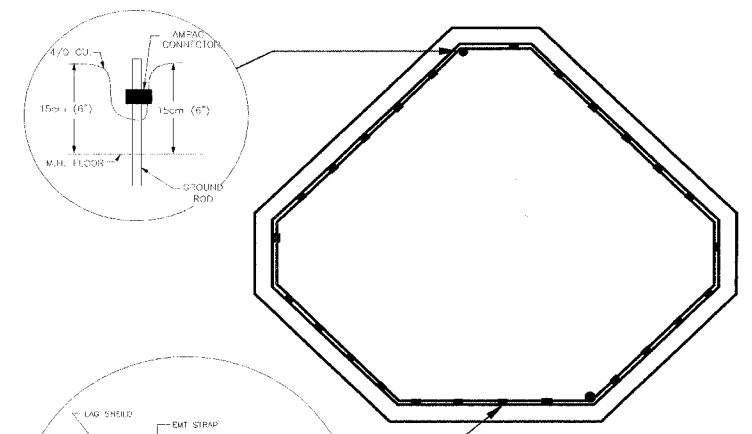


Item Code	Description 1	Description 2	QTY	UOM	UOM-C	UOM-R
280 107 00070	CU BARE SD	4/0 7-STR	40	40		
283 156 00030	GROUND ROD, COPPER CLAD	5/8" X 5' USE TO FOOTER	4		4	
283 156 00040	COUPLING BRONZE	5/8" ROD	2			2
284 189 00460	LAG SHIELD, LEAD SHEET	1/4"	26			
284 189 00470	LAG SCREW, SS	1/4" X 1"	26		26	
285 199 00020	STRAP, EMT	1/2" SS	26		26	
286 100 00260	CONNECTOR, WEDGE CU	4/0 STR(7) - 4/0 STR(7)	1			1
286 100 00320	CONNECTOR, WEDGE CU	4/0 STR(7) - 5/8" ROD	2			2
286 101 00010	SHELL, WEDGE AMP	WHITE	3			3

- KEEP 4/0 CU IN ONE PIECE AROUND INNER WALL; TIE TOGETHER WITH ONE AMPAC. 4/0 IS SUPPORTED ALONG INNER WALL OF M.H., 15cm (6") ABOVE M.H. FLOOR, AT (2 FOOT) INTERVALS.
- COPPER STRAP AND LEAD ANCHOR SHALL BE INSTALLED AT 60cm (TWO FOOT) INTERVALS.
- THE TWO KNOCKOUTS IN THE FLOOR SHOULD BE USED. IF SOLID ROCK IS ENCOUNTERED UNDER THE MANHOLE, REFER TO ENGINEERING.
- TWO 1.5 METER (5') GROUND RODS AND ONE COUPLING SHOULD BE INSTALLED WITH A DRIVING STUD PER KNOCKOUT.

ASSEMBLY CODES
CODE QTY DESCRIPTION
UOMH 1 GROUNDING MANHOLE

INFERVILLE PUBLIC UTILITIES DEPARTMENT ELECTRIC DIVISION	<b>GROUNDING DETAIL TYPE "E" MANHOLE</b>	DATE: 08-17-04 <b>C30-1160</b>
---	--	-----------------------------------



Item Code	Description 1	Description 2	QTY	UOM	UOM-C	UOM-R
280 107 00070	CU BARE SD	4/0 7-STR	40	40		
283 156 00030	GROUND ROD, COPPER CLAD	5/8" X 5' USE TO FOOTER	4		4	
283 156 00040	COUPLING BRONZE	5/8" ROD	2			2
284 189 00460	LAG SHIELD, LEAD SHEET	1/4"	26			
284 189 00470	LAG SCREW, SS	1/4" X 1"	26		26	
285 199 00020	STRAP, EMT	1/2" SS	26		26	
286 100 00260	CONNECTOR, WEDGE CU	4/0 STR(7) - 4/0 STR(7)	1			1
286 100 00320	CONNECTOR, WEDGE CU	4/0 STR(7) - 5/8" ROD	2			2
286 101 00010	SHELL, WEDGE AMP	WHITE	3			3

- KEEP 4/0 CU IN ONE PIECE AROUND INNER WALL; TIE TOGETHER WITH ONE AMPAC. 4/0 IS SUPPORTED ALONG INNER WALL OF M.H., 15cm (6") ABOVE M.H. FLOOR, AT (2 FOOT) INTERVALS.
- COPPER STRAP AND LEAD ANCHOR SHALL BE INSTALLED AT 60cm (TWO FOOT) INTERVALS.
- THE TWO KNOCKOUTS IN THE FLOOR SHOULD BE USED. IF SOLID ROCK IS ENCOUNTERED UNDER THE MANHOLE, REFER TO ENGINEERING.
- TWO 1.5 METER (5') GROUND RODS AND ONE COUPLING SHOULD BE INSTALLED WITH A DRIVING STUD PER KNOCKOUT.

ASSEMBLY CODES
CODE QTY DESCRIPTION
UOMH 1 GROUNDING MANHOLE

INFERVILLE PUBLIC UTILITIES DEPARTMENT ELECTRIC DIVISION	<b>GROUNDING DETAIL TYPE "G" MANHOLE</b>	DATE: 08-17-04 <b>C30-1170</b>
---	--	-----------------------------------

- NOTES:
- ALL MANHOLES SHALL BE INSTALLED AND GROUNDS INSTALLED AND GROUND RODS TESTED IMMEDIATELY.
  - IF TESTING INDICATES A GROUND RESISTANCE MORE THAN 25 OHMS ADDITIONAL RODS NEED TO BE ADDED OR COUNTER POISE INSTALLED.
  - THE COUNTER POISE IF REQUIRED, WILL BE INSTALLED IN THE TRENCH WHEN THE DUCT IS INSTALLED. INSTALL 4/0 BARE 7-STRAND COPPER WIRE THRU THE 2-KNOCKOUTS IN WALL. TRAIN AROUND MANHOLE TO DUCT RUNS AND INSTALL 200 FEET OF COUNTER POISE IN TWO DIRECTIONS FROM MANHOLE ABOVE DUCT AND BEFORE BACK FILLING.
  - CONTRACTOR IS ADVISED IF THE DUCT IS INSTALLED PRIOR TO MANHOLE WORK. THE CONTRACTOR SHALL TEST SOIL RESISTANCE AT MANHOLE LOCATION PRIOR TO INSTALLING DUCT.
  - AFTER COUNTER POISE IS INSTALLED GROUNDS SHALL BE RETESTED AND FINDINGS GIVEN TO THE CITY.

<b>WF# INFORMATION</b>		<b>CITY OF NAPERVILLE/DEPARTMENT OF PUBLIC UTILITIES - ELECTRIC</b>			
WF# 59481 WASHINGTON ST. 75TH TO OLYMPUS DR. EAST SIDE	JOB 1 EU-73	CALL J.U.L.I.E. 48 HRS. PRIOR TO CONSTRUCTION		MAP NO.:	CAD FILE:
WF# 59482 75TH WASHINGTON ST. TO OLYMPUS DR. NORTH SIDE	JOB 2 EU-73	<b>75TH ST. AND WASHINGTON ST. ROAD IMPROVEMENTS</b>		PROJECT NO.:	3056270001032.DWG
WF# 59484 75TH WASHINGTON ST. TO CLYDE DR. SOUTH SIDE	JOB 3 EU-73	TRENCH SECTION DETAILS		PROJECT NO.:	EU12-06-03
WF# 59485 WASHINGTON ST. 75TH TO BAILEY RD. EAST SIDE	JOB 4 EU-73	DATE: 4-01-08	WORK REQUEST NO.:	CHKD.:	COMPLETED BY:
		ISSUED:	56270	APPR.:	SCALE: NTS
		ENGINEER:			SHEET 32 OF 73
		REVISION:			