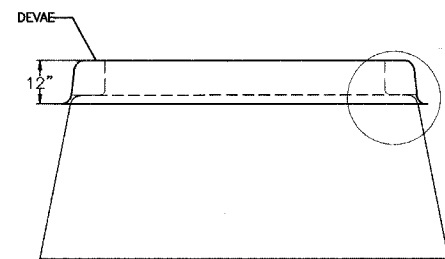
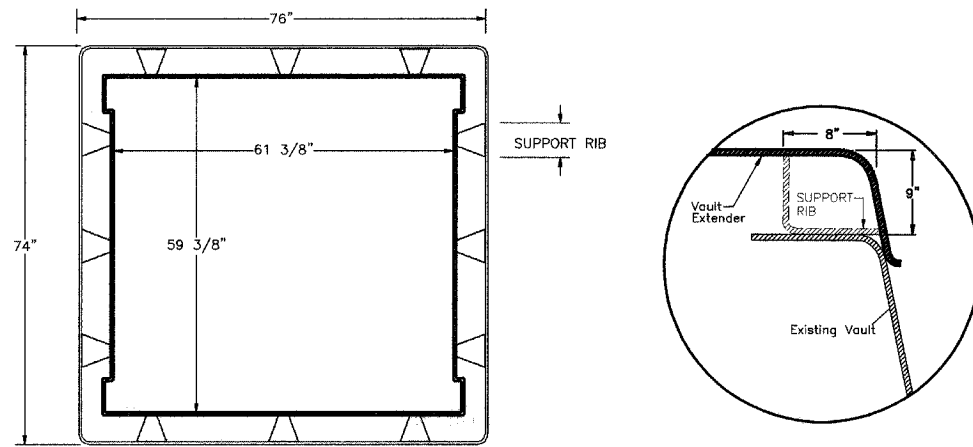


F.A. RTE.	2552	SECTION	00-0014-00-PV	COUNTY	DUPAGE	TOTAL SHEETS	563	SHEET NO.	285
STA.	TO STA.								
FED. ROAD DIST. NO.	ILLINOIS	FED. AID PROJECT							
CONTRACT 63024									

VAULT EXTENDER FOR AIR SWITCH

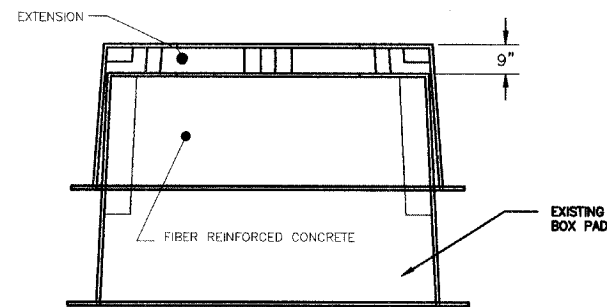
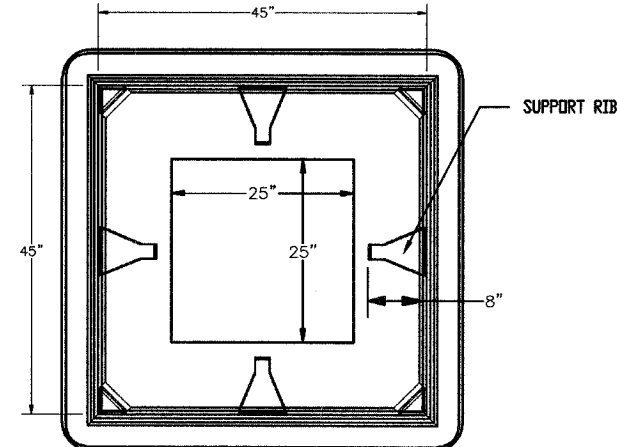


- NOTES:
1. SHIMS MAY BE USED TO LEVEL THE EXTENSION SPACER ON THE EXISTING SWITCH VAULT.
 2. WHEN REPLACING AN OIL SWITCH WITH AN AIR SWITCH, THE EXTENDER MAY BE USED WITH GRAVEL PADDING AROUND THE EXISTING VAULT.
 3. FILL THE VOIDS WITH FOAM FOR STABILITY.
 4. SEE SPECIFICATIONS OR DRAWINGS WHERE EXTENDER'S AIR REQUIRED.

ASSEMBLY CODES		
CODE	QTY	DESCRIPTION
DEVAE	1	Vault Extender, Air Switch
DEVTE	1	Vault Extender, 1 ϕ Transformer

NAPERVILLE PUBLIC UTILITIES DEPARTMENT ELECTRIC STANDARDS	VAULT EXTENDER	DATE: 04-04-06 Page 1 of 2 C30-6332
--	-----------------------	---

VAULT EXTENDER FOR 1 ϕ TRANSFORMER



DEVAE: VAULT EXTENDER

Item Code	Description 1	Description 2	DEV							
			TE Qty	A Qty	TC Qty	PC Qty	F Qty	AE Qty	M Qty	
284 100 00120	EXTENDER, 44"X44" BOX PAD	9" WITH/25"X25" OPENING	1							
284 101 00010	VAULT, AIR SWITCH	74"X76"X36" (FIBER-CRETE)		1						
284 101 00020	VAULT, 1 ϕ TRF/FUSE CAN	44"X44"X32" 25"X25" OPENING			1					
284 101 00030	VAULT, 3 ϕ PLUG CAN	23"X69"X36" (FIBER-CRETE)				1				
284 101 00040	VAULT, 3 ϕ FUSE CAN	49"X69"X36" (FIBER-CRETE)					1			
284 101 00100	EXTENDER, AIR SWITCH VAULT	74"X76"X9" (FIBER-CRETE)							1	
NON	CA-6	CRUSHED LIMESTONE		1	.25	.25	.5			
NON		VAULT, 12.47KV PRI. METERING								1

NAPERVILLE PUBLIC UTILITIES DEPARTMENT ELECTRIC STANDARDS	VAULT EXTENDER	DATE: 04-04-06 Page 2 of 2 C30-6332
--	-----------------------	---

WF# INFORMATION

WF# 59481 WASHINGTON ST. 75TH TO OLYMPUS DR. EAST SIDE	JOB 1 EU-73
WF# 59482 75TH WASHINGTON ST. TO OLYMPUS DR. NORTH SIDE	JOB 2 EU-73
WF# 59484 75TH WASHINGTON ST. TO CLYDE DR. SOUTH SIDE	JOB 3 EU-73
WF# 59485 WASHINGTON ST. 75TH TO BAILEY RD. EAST SIDE	JOB 4 EU-73

CITY OF NAPERVILLE/DEPARTMENT OF PUBLIC UTILITIES - ELECTRIC

CALL J.U.L.I.E. 48 HRS. PRIOR TO CONSTRUCTION			
PROJECT TITLE 75TH ST. AND WASHINGTON ST. ROAD IMPROVEMENTS	MAP NO.: -	CAD FILE: 0056270001D44.DWG	PROJECT NO.: EU12-06-03
PROJECT DESCRIPTION TRENCH SECTION DETAILS	DRAWN BY: JK, PN.	PROJECT NO. (cont.) E173	COMPLETED BY:
DATE 4-01-08	ISSUED	WORK REQUEST NO. 56270	CHRG:
ENGINEER RPS	APPR:	SCALE: NTS	SHEET 44 OF 73
REVISION 1 2 3			