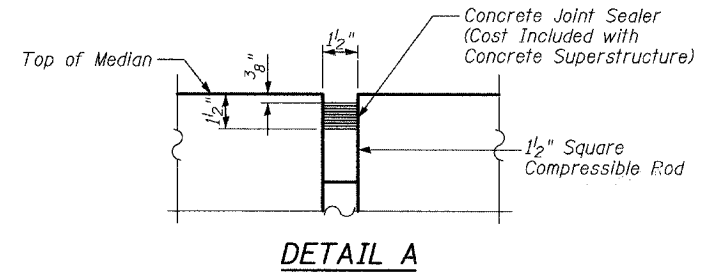
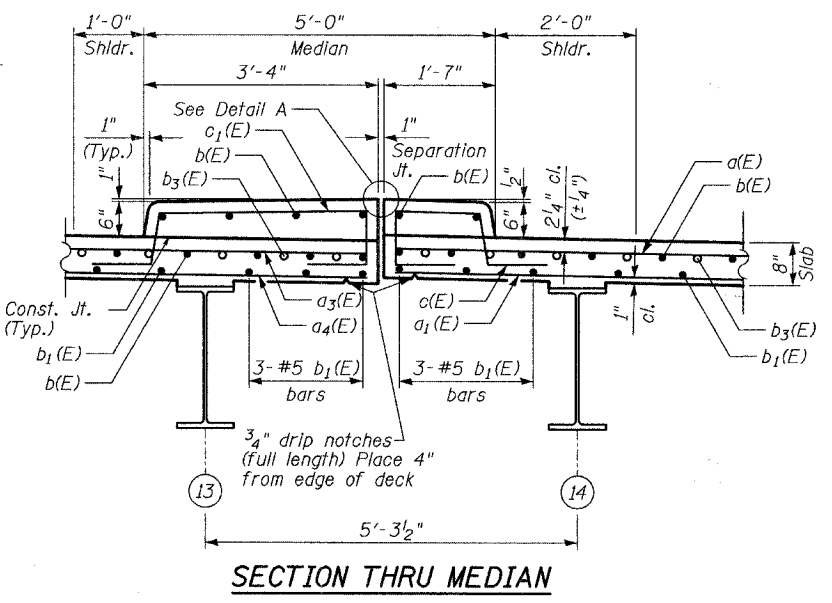
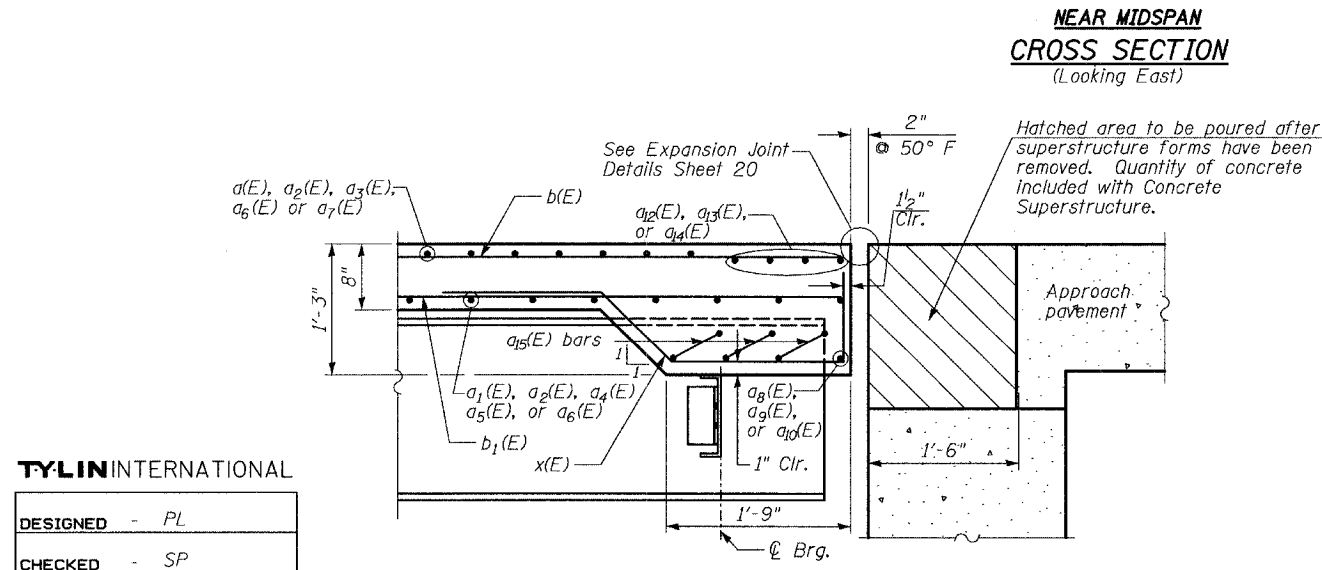
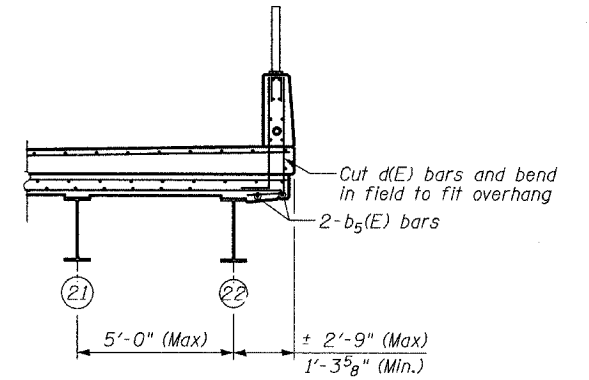
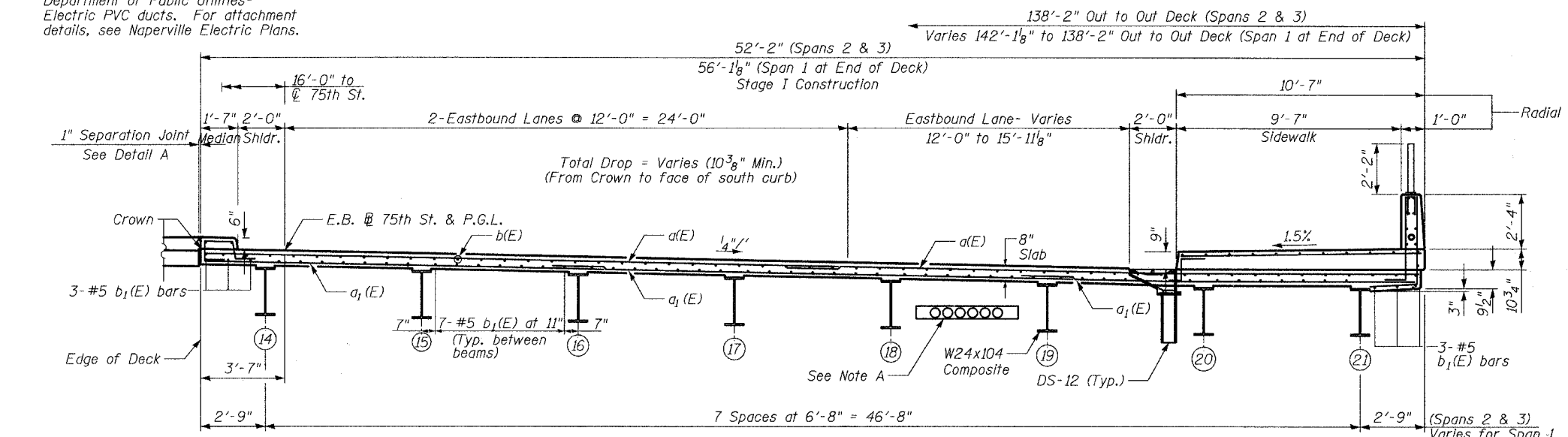


Note A:  
Proposed City of Naperville  
Department of Public Utilities-  
Electric PVC ducts. For attachment  
details, see Naperville Electric Plans.



**TYLIN INTERNATIONAL**

DESIGNED	- PL
CHECKED	- SP
DRAWN	- PL
CHECKED	- SP

REVISIONS	
NAME	DATE

**DECK CROSS SECTION**

75th STREET OVER THE  
WEST BRANCH OF THE DUPAGE RIVER  
FAP 369  
SECTION 00-00114-00-PV STA. 151+38.03  
DUPAGE COUNTY  
S.N. 022-3118