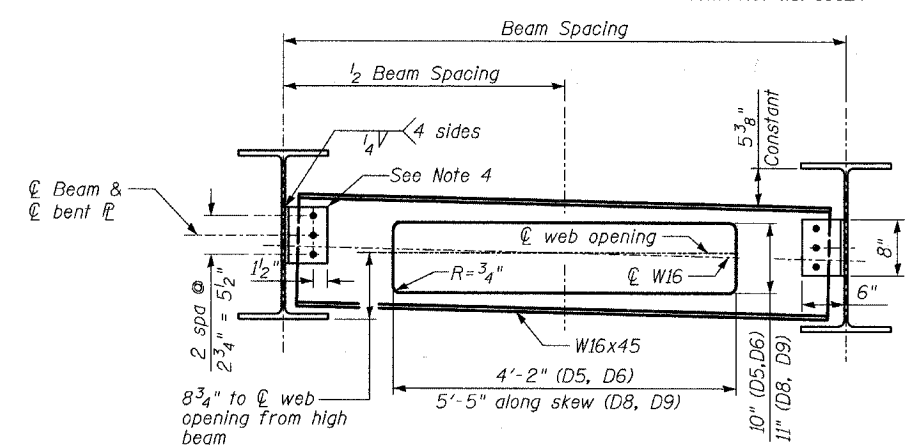
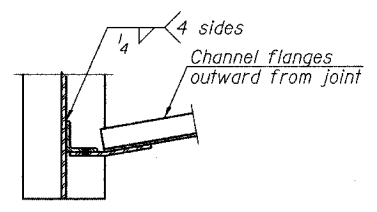


BEAM ELEVATION

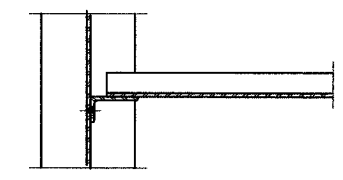


DIAPHRAGM - D5, D6, D8, D9
(6 - D5 Required) (6 - D6 Required),
(2 - D8 Required) (2 - D9 Required)

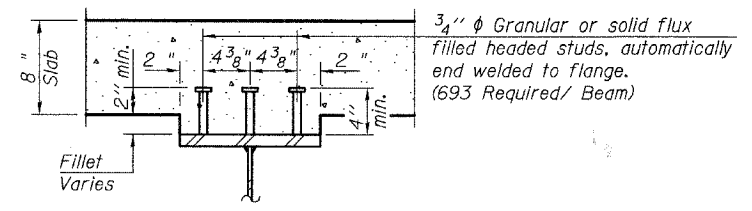
- Notes:
- 3/4" φ HS bolts, 15/16" φ holes
 - Two hardened washers required for each set of oversized holes.
 - Web opening intersects W16 at 1/2 Beam Spacing.
 - Use L 6"x4"x1/2" for diaphragm D5 and D6. Use 6"x4"x1/2" bent flange for D8, D9.



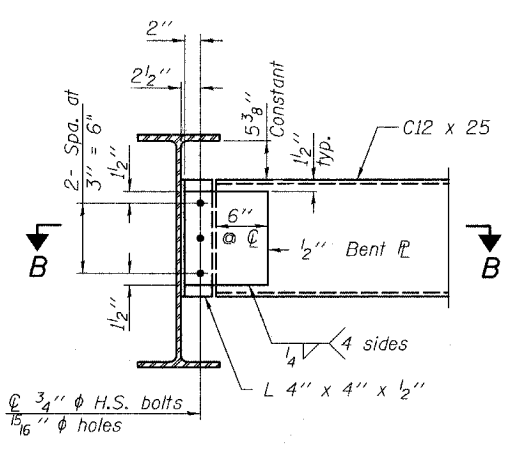
SECTION B-B



SECTION C-C

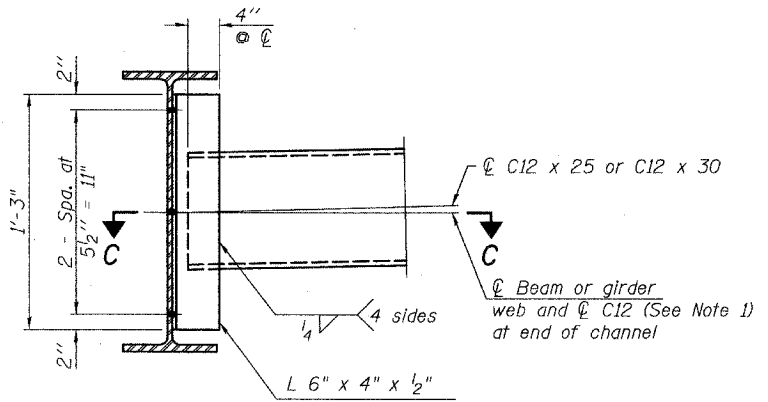


SECTION A-A



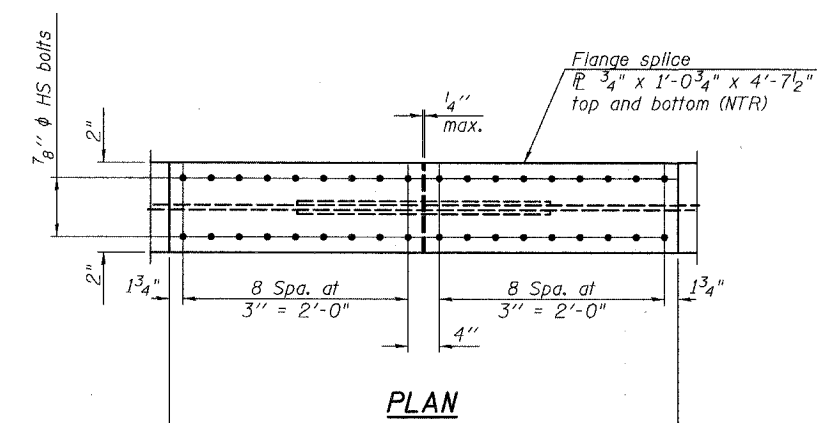
END DIAPHRAGM - D3, D4, D7

- (22 - D3 Required)
(12 - D4 Required)
(1 - D7 Required)
- Note:
- Two hardened washers required for each set of oversized holes.

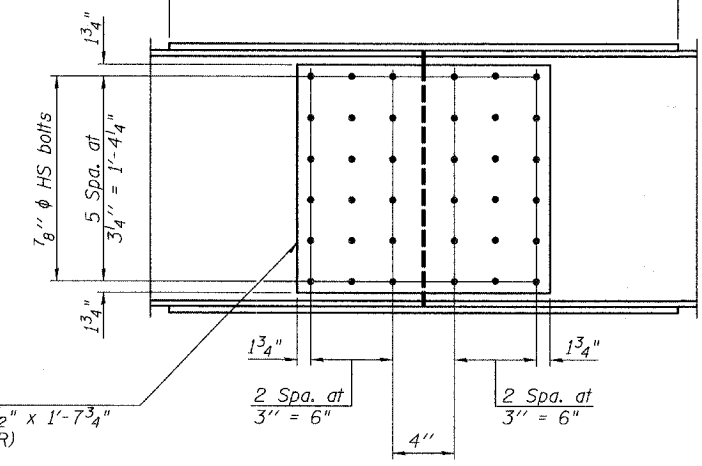


INTERIOR DIAPHRAGM - D1, D2

- (66 - D1 Required)
(36 - D2 Required)
- Notes:
- Alternate channels are permitted to facilitate material acquisition. Calculated weight of structural steel is based on the lighter section.
 - 3/4" φ HS bolts, 15/16" φ holes
 - Two hardened washers required for each set of oversized holes.



PLAN



ELEVATION

SPLICE DETAIL
(42 - Required)

TOP OF BEAM ELEVATIONS
For Fabrication Only.

Beam	W. Abut.	Brg. Pier 1	F.S. No. 1	F.S. No. 2	Brg. Pier 2	Brg. E. Abut.
Beam 1	663.50	663.17	663.10	662.87	662.83	662.62
Beam 2	663.63	663.30	663.23	663.00	662.96	662.75
Beam 3	663.76	663.45	663.36	663.13	663.08	662.88
Beam 4	663.88	663.56	663.49	663.26	663.21	663.01
Beam 5	664.01	663.68	663.62	663.38	663.34	663.14
Beam 6	664.14	663.81	663.74	663.51	663.47	663.26
Beam 7	664.27	663.94	663.87	663.64	663.60	663.39
Beam 8	664.40	664.07	664.00	663.77	663.72	663.52
Beam 9	664.53	664.20	664.13	663.90	663.85	663.65
Beam 10	664.62	664.30	664.23	663.99	663.95	663.75
Beam 11	664.71	664.38	664.31	664.08	664.03	663.83
Beam 12	664.59	664.26	664.19	663.96	663.91	663.71
Beam 13	664.47	664.14	664.07	663.84	663.80	663.59
Beam 14	664.40	664.07	664.01	663.77	663.73	663.52
Beam 15	664.25	663.92	663.85	663.62	663.58	663.37
Beam 16	664.10	663.77	663.70	663.47	663.43	663.22
Beam 17	663.95	663.62	663.55	663.32	663.28	663.07
Beam 18	663.80	663.47	663.40	663.17	663.12	662.92
Beam 19	663.65	663.32	663.25	663.02	662.97	662.77
Beam 20	663.49	663.19	663.12	662.89	662.85	662.64
Beam 21	663.43	663.17	663.11	662.88	662.83	662.63
Beam 22	663.43	663.35*				

* At Point A

REVISIONS	
NAME	DATE

BEAM ELEVATION AND FRAMING DETAILS

75th STREET OVER THE
WEST BRANCH OF THE DUPAGE RIVER
FAP 369
SECTION 00-00114-00-PV STA. 151+38.03
DUPAGE COUNTY
S.N. 022-3118

TYLIN INTERNATIONAL

DESIGNED	- PL
CHECKED	- SP
DRAWN	- PL
CHECKED	- SP