

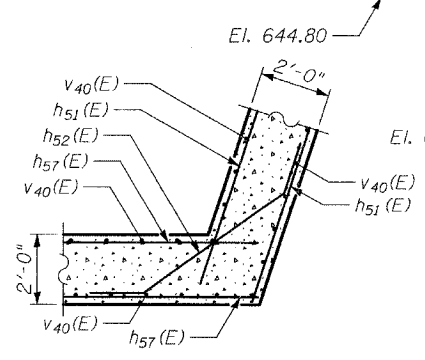
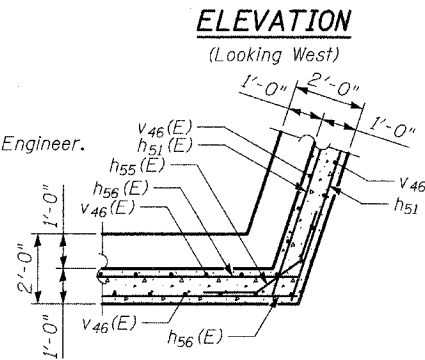
- NOTES**
- Invert elevation of 16" watermain was unavailable at the time of plan preparation. The Contractor shall verify the location and make adjustments as appropriate subject to the approval of the Engineer.
  - Provide 11" high by 5'-5" breakout for proposed ducts. Bottom of breakout Elev. 662.02. The Contractor shall furnish 8" φ PVC sleeves for the proposed conduits, see sheet 290 of 565. The center of the proposed PVC ducts is at Elev. 662.48 ±. Once the duct package has been installed between the beams, the breakout shall be filled with non-shrink grout in accordance with Section 1024 of the Standard Specifications. The cost shall be included in Concrete Structures.
  - For additional General Notes, See Sheet 28.

**TYLIN INTERNATIONAL**

|          |      |
|----------|------|
| DESIGNED | - PL |
| CHECKED  | - SP |
| DRAWN    | - PL |
| CHECKED  | - SP |

**SEAT ELEVATIONS**

| BEAM #    | 1      | 2      | 3      | 4      | 5      | 6      | 7      | 8      | 9      | 10     | 11     | 12     | 13     |
|-----------|--------|--------|--------|--------|--------|--------|--------|--------|--------|--------|--------|--------|--------|
| ELEVATION | 661.21 | 661.34 | 661.47 | 661.60 | 661.72 | 661.85 | 661.98 | 662.11 | 662.24 | 662.33 | 662.42 | 662.30 | 662.18 |
| STEP HT.  | 1/2"   | 1/2"   | 1/2"   | 1/2"   | 1/2"   | 1/2"   | 1/2"   | 1/2"   | 1/2"   | 1/8"   | 1/8"   | 1/2"   | 1/2"   |



**SECTION H-H LEGEND**

F.F. denotes front face  
B.F. denotes back face  
E.F. denotes each face

**MINIMUM BAR LAPS**

| Bar | Lap   |
|-----|-------|
| #5  | 2'-2" |
| #6  | 2'-7" |
| #7  | 3'-5" |
| #8  | 4'-6" |

**REVISIONS**

| NAME | DATE |
|------|------|
|      |      |
|      |      |
|      |      |
|      |      |
|      |      |
|      |      |
|      |      |
|      |      |
|      |      |

**WEST ABUTMENT - II**

75th STREET OVER THE WEST BRANCH OF THE DUPAGE RIVER  
FAP 369  
SECTION 00-00114-00-PV STA. 151+38.03  
DUPAGE COUNTY  
S.N. 022-3118

\* Cut bars in field for fit.