

BILL OF MATERIAL

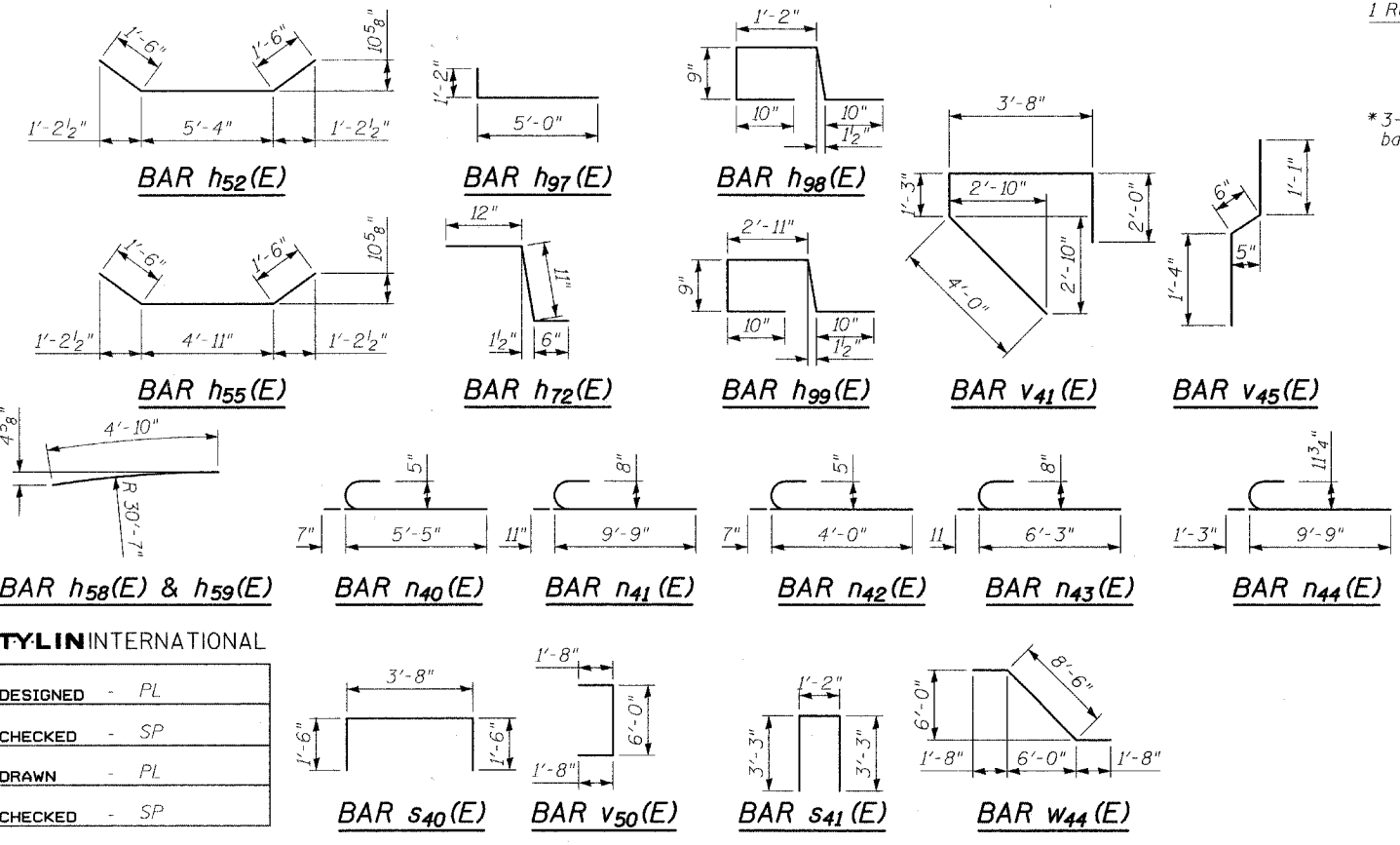
Bar	No.	Size	Length	Shape
h40(E)	66	#5	30'-6"	
h41(E)	5	#5	22'-6"	
h42(E)	5	#5	21'-0"	
h43(E)	18	#5	31'-6"	
h44(E)	10	#5	22'-9"	
h45(E)	5	#5	27'-6"	
h46(E)	12	#5	30'-4"	
h47(E)	10	#6	30'-6"	
h48(E)	15	#6	31'-10"	
h49(E)	2	#5	10'-4"	
h50(E)	99	#5	29'-0"	
h51(E)	44	#5	9'-4"	
h52(E)	15	#5	8'-4"	
h53(E)	14	#7	27'-4"	
h54(E)	12	#9	31'-4"	
h55(E)	7	#5	4'-11"	
h56(E)	14	#5	18'-11"	
h57(E)	30	#5	21'-6"	
h58(E)	6	#4	4'-10"	
h59(E)	38	#7	4'-10"	
h72(E)	4	#5	2'-5"	
h73(E)	2	#5	7'-7"	
h74(E)	8	#5	3'-4"	
h93(E)	14	#5	1'-9"	
h97(E)	40	#5	6'-2"	
h98(E)	2	#5	4'-4"	
h99(E)	2	#5	6'-4"	
n40(E)	143	#5	6'-0"	
n41(E)	144	#8	10'-8"	
n42(E)	23	#5	4'-7"	
n43(E)	5	#8	7'-2"	
n44(E)	16	#9	11'-0"	
s40(E)	117	#5	6'-8"	
s41(E)	26	#5	7'-8"	

BILL OF MATERIAL

Bar	No.	Size	Length	Shape
t40(E)	303	#6	9'-8"	
t41(E)	44	#6	10'-2"	
t42(E)	16	#8	11'-3"	
t43(E)	13	#6	11'-3"	
t44(E)	16	#8	11'-10"	
t45(E)	9	#6	11'-10"	
v40(E)	359	#5	14'-2"	
v41(E)	152	#5	10'-11"	
v42(E)	151	#4	2'-9"	
v43(E)	150	#4	3'-10"	
v44(E)	151	#5	2'-4"	
v45(E)	151	#4	2'-11"	
v46(E)	60	#5	8'-3"	
v48(E)	6	#5	20'-4"	
v49(E)	6	#8	20'-4"	
v50(E)	27	#5	9'-4"	
v65(E)	12	#5	4'-6"	
w40(E)	44	#5	32'-5"	
w41(E)	66	#5	29'-3"	
w42(E)	24	#8	15'-7"	
w43(E)	16	#6	15'-7"	
w44(E)	27	#5	11'-10"	
Structure Excavation		Cu Yd	1,380	
Concrete Structures		Cu Yd	395.7	
Reinforcement Bars, Epoxy Coated		Pound	40,660	
Bridge Seat Sealer		Sq Ft	299	
Concrete Sealer		Sq Ft	1,345	
Geocomposite Wall Drain		Sq Yd	176	
Porous Granular Embankment, Special		Cu Yd	234	
Bar Splicers		Each	173	
Rock Excavation for Structures		Cu Yd	115	
Form Liner Textured Surface		Sq Yd	210	
Anti-Graffiti Coating		Sq Ft	1,834	

NOTE:
1. Hatched area to be poured after Superstructure falsework has been removed. Quantity of Concrete included with Concrete Superstructure.

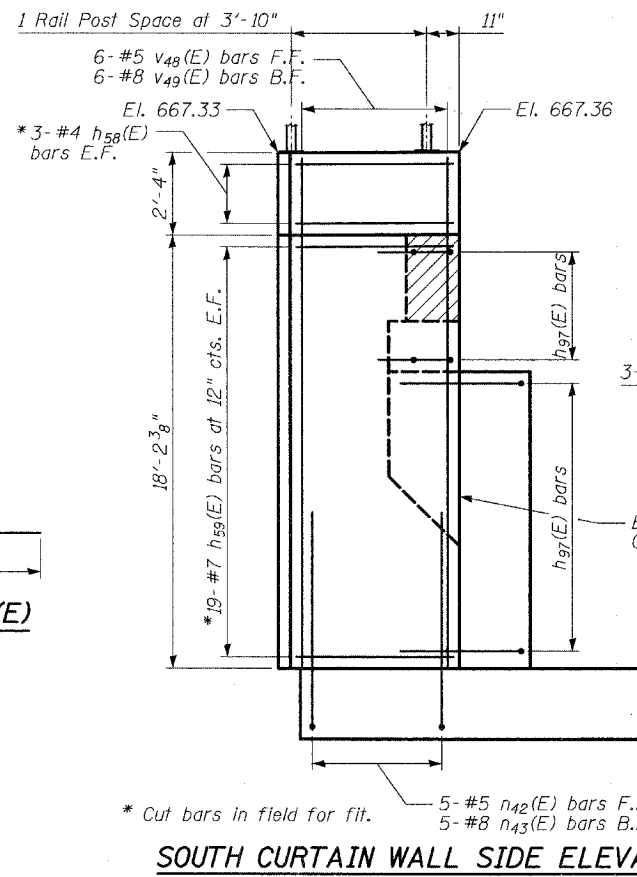
SECTION A-A



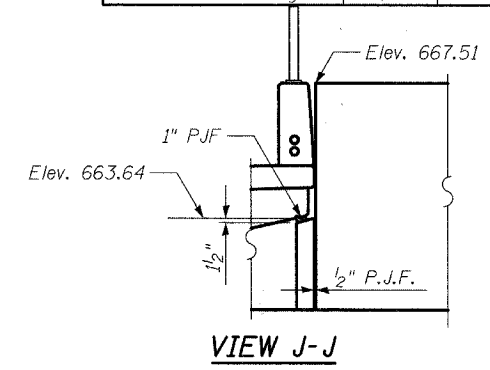
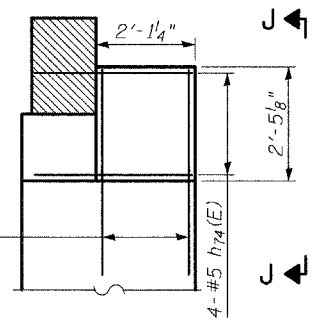
TYLIN INTERNATIONAL

DESIGNED	- PL
CHECKED	- SP
DRAWN	- PL
CHECKED	- SP

SECTION C-C



SECTION I-I



REVISIONS

NAME	DATE

WEST ABUTMENT SECTIONS AND DETAILS

75th STREET OVER THE WEST BRANCH OF THE DUPAGE RIVER
FAP 369
SECTION 00-00114-00-PV STA. 151+38.03
DUPAGE COUNTY
S.N. 022-3118