

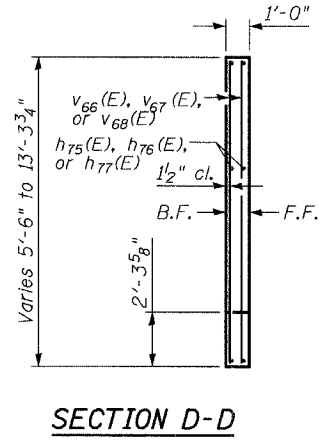
SEAT ELEVATIONS

BEAM #	1	2	3	4	5	6	7	8	9	10	11	12	13
ELEVATION	660.17	660.30	660.43	660.56	660.68	660.81	660.94	661.07	661.20	661.30	661.38	661.26	661.14
STEP HT.	1 1/2"	1 1/2"	1 1/2"	1 1/2"	1 1/2"	1 1/2"	1 1/2"	1 1/2"	1 1/4"	1"	1 1/2"	1 1/2"	

TYLIN INTERNATIONAL

DESIGNED	- PL
CHECKED	- SP
DRAWN	- PL
CHECKED	- SP

- NOTES**
- Invert elevation of 16" watermain was unavailable during plan preparation. The Contractor shall field verify and if necessary provide an opening in the wall to provide 2" clearance to pipe on all sides. The corners of the opening shall be reinforced in a similar fashion as shown on Detail A on Sheet 14 using unused epoxy reinforcement bars.
 - Provide 11" high by 5'-5" blackout for proposed ducts. Bottom of blackout Elev. 662.02. The Contractor shall furnish 8" φ PVC sleeves for the proposed conduits, see sheet 290 of 565. The centerline of the proposed PVC ducts is at Elev. 662.48 ±. Once the duct package has been installed between the beams, the blackout shall be filled with non-shrink grout in accordance with Section 1024 of the Standard Specifications. The cost shall be included in Concrete Structures.
 - For additional General Notes, See Sheet 32.



MINIMUM BAR LAPS

Bar	Lap
#5	2'-2"
#6	2'-7"
#7	3'-5"
#8	4'-6"

LEGEND

F.F. denotes front face
B.F. denotes back face
E.F. denotes each face

REVISIONS

NAME	DATE

EAST ABUTMENT - II

75th STREET OVER THE
WEST BRANCH OF THE DUPAGE RIVER
FAP 369
SECTION 00-00114-00-PV STA. 151+38.03
DUPAGE COUNTY
S.N. 022-3118

* Cut bars in field for fit
** See Cutting Diagram