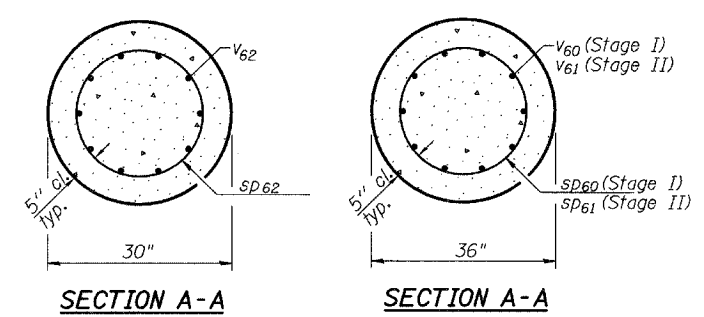
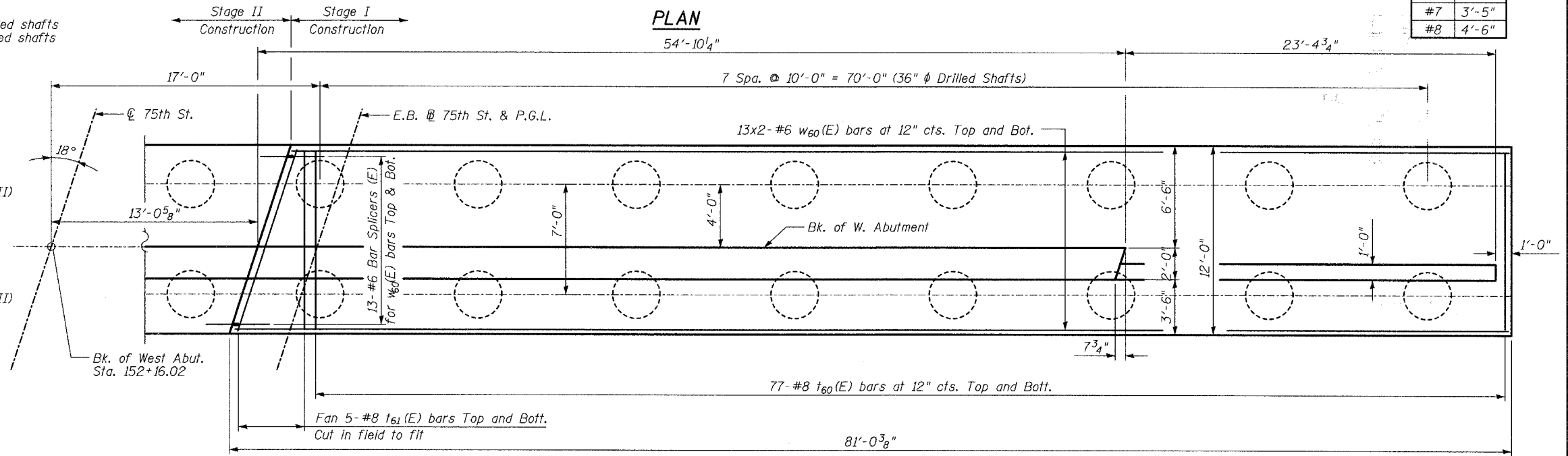
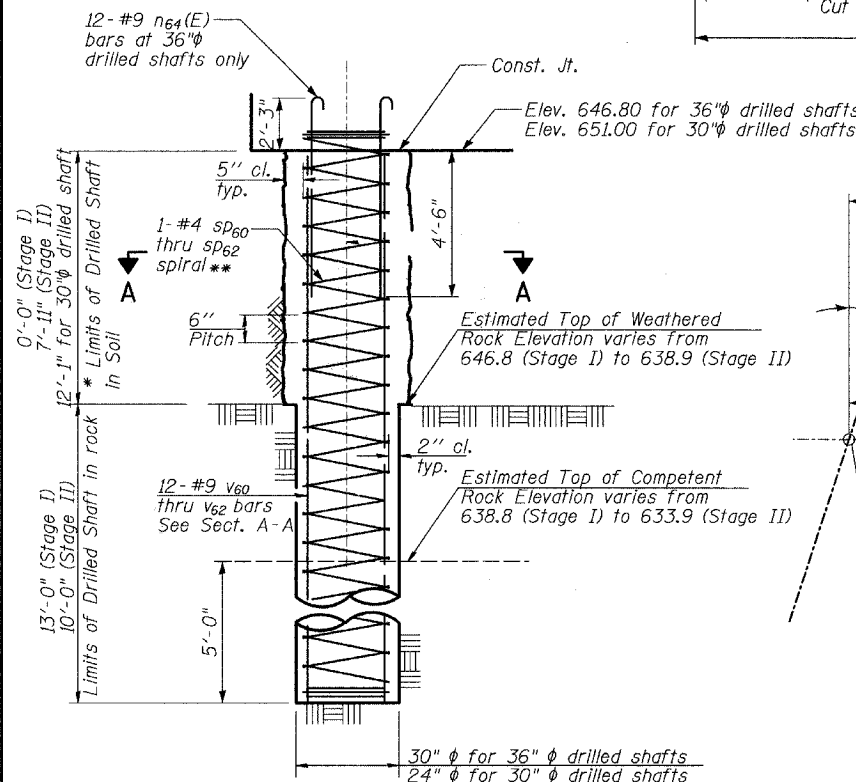


**MINIMUM BAR LAPS**

Bar	Lap
#5	2'-2"
#6	2'-7"
#7	3'-5"
#8	4'-6"



REVISIONS	
NAME	DATE

**EAST ABUTMENT - FOUNDATION PLAN**

75th STREET OVER THE WEST BRANCH OF THE DUPAGE RIVER  
 FAP 369  
 SECTION 00-00114-00-PV STA. 151+38.03  
 DUPAGE COUNTY  
 S.N. 022-3118

**TYLIN INTERNATIONAL**

DESIGNED	PL
CHECKED	SP
DRAWN	PL
CHECKED	SP

\* The quantities and detailing are based on the estimated elevations shown on the plans. The actual elevations may differ at each shaft and corresponding adjustments shall be made to the drilled shaft and reinforcement quantities and payment limits.

\*\* Provide 1/2 extra turns top and bottom of each drilled shaft. Extend spiral 2" into abutment or wingwall cap. Provide min. 4-#4 spacers or equivalent.

**LEGEND**

F.F. denotes front face  
 B.F. denotes back face  
 E.F. denotes each face