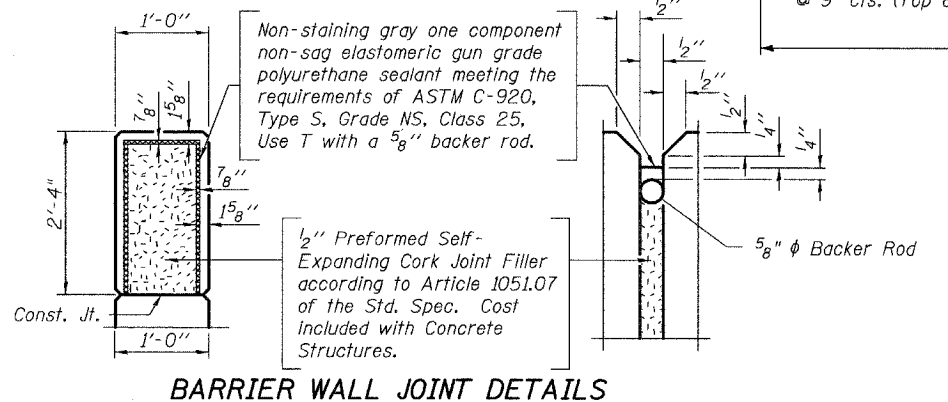
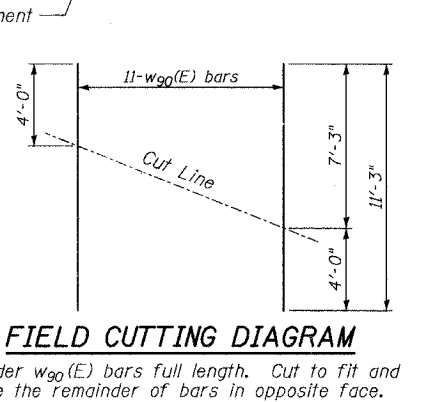
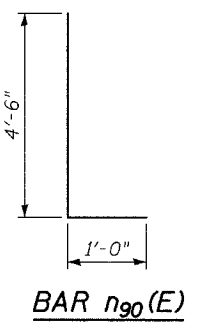


BILL OF MATERIAL

Bar	No.	Size	Length	Shape	
d92(E)	36	#6	3'-4"	—	
h92(E)	32	#6	37'-8"	—	
n90(E)	38	#6	5'-6"	—	
t90(E)	14	#6	9'-8"	—	
t91(E)	48	#6	10'-2"	—	
v90(E)	78	#6	9'-6"	—	
w90(E)	11	#5	11'-3"	—	
w91(E)	22	#5	11'-8"	—	
Reinforcement Bars, Epoxy Coated				LB	4,650
Concrete Structures				CU YD	25.5
Structure Excavation				CU YD	99
Rock Excavation for Structures				CU YD	32
Porous Granular Embankment, Special				CU YD	42



- NOTES**
- B.F. denotes Back Face.
 - E.F. denotes Each Face.
 - F.F. denotes Front Face.
 - Reinforcement bars designated (E) shall be epoxy coated.
 - Drill and Epoxy Grout d92(E) bars according to Article 584 of the Standard Specifications. The cost shall be included in "Reinforcement Bars, Epoxy Coated".
 - Offsets are measured to Back Face of Wall.

REVISIONS

NAME	DATE

RETAINING WALL
NORTH OF EXISTING WEST ABUTMENT

75th STREET OVER THE
WEST BRANCH OF THE DUPAGE RIVER
FAP 369
SECTION 00-00114-00-PV STA. 151+38.03
DUPAGE COUNTY
S.N. 022-3118

TYLIN INTERNATIONAL

DESIGNED	DE
CHECKED	SP
DRAWN	DE
CHECKED	SP