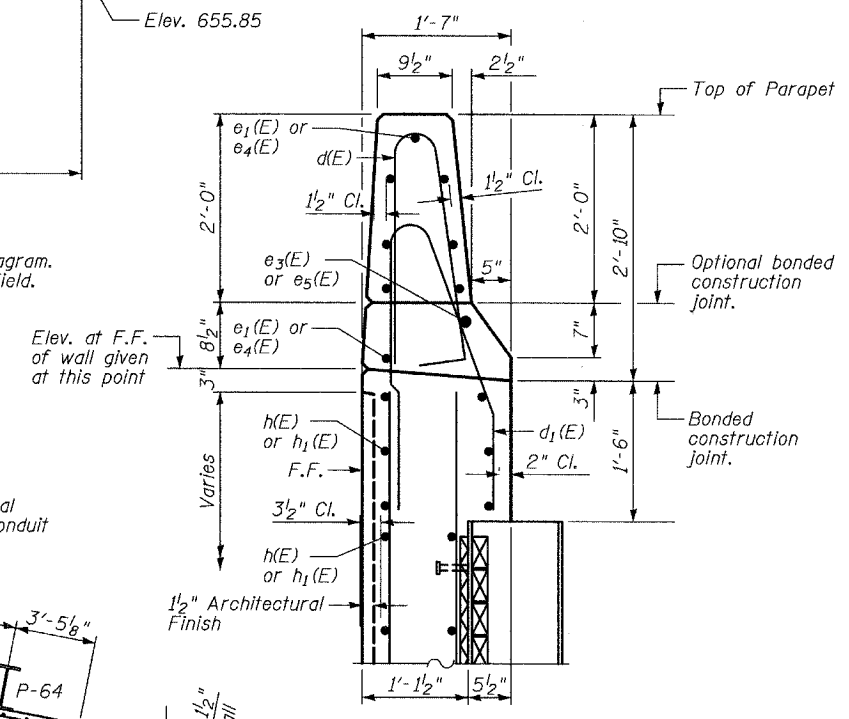
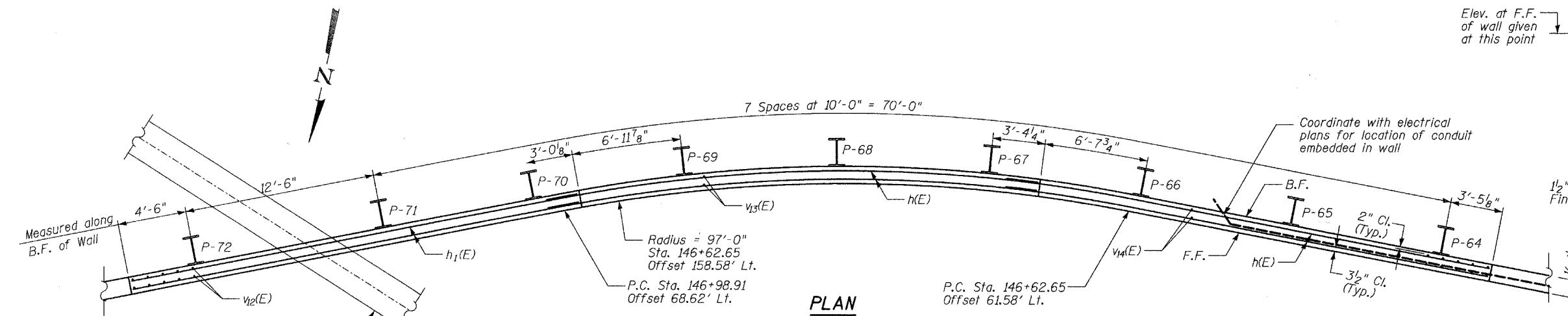


ELEVATION - WALL B
(Looking At Front Face)

* See Cutting Diagram.
** Bend bars in field.



SECTION A-A
TYPE F BARRIER DETAIL



PLAN

TYLIN INTERNATIONAL

DESIGNED	- PL
CHECKED	- SP
DRAWN	- PL
CHECKED	- SP

NOTES:

1. B.F. denotes Back Face.
2. E.F. denotes Each Face.
3. F.F. denotes Front Face.
4. Work this sheet with Sheets 6 & 8 thru 10 of 18.
5. Offsets are measured from the \odot 75th St. to the front face of wall.
6. See Sheet 13 of 18 for limits of architectural finish.
7. See Sheet 15 of 18 for railing details.

LAP SPLICES

Bar	Lap
#4	1'-8"
#5	2'-2"
#8	4'-6"

REVISIONS	
NAME	DATE

WALL B
PLAN & ELEVATION
STA. 54+04.04 TO STA. 53+16.72

WASHINGTON - 75TH STREET
F.A.U. ROUTE 2552
SECTION 00-00114-00-PV
DUPAGE COUNTY