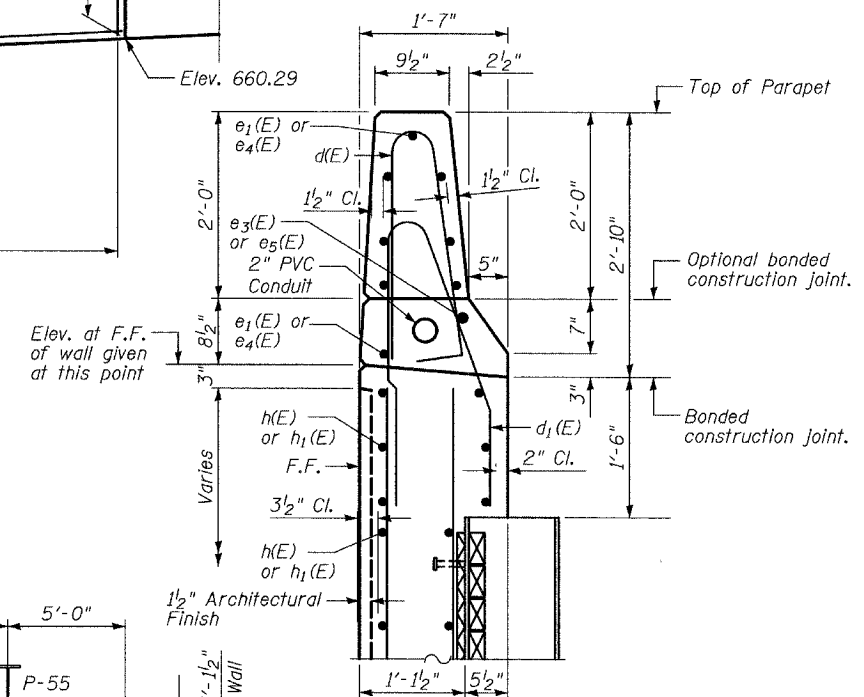
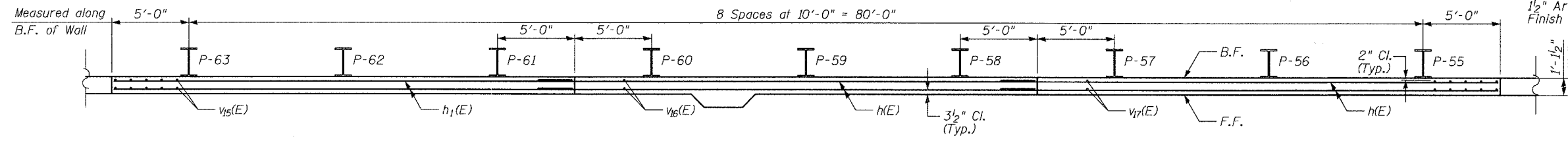


**ELEVATION - WALL B**  
(Looking At Front Face)



**SECTION A-A**  
**TYPE F BARRIER DETAIL**



**PLAN**

\* See Cutting Diagram.

**NOTES:**

1. B.F. denotes Back Face.
2. E.F. denotes Each Face.
3. F.F. denotes Front Face.
4. Work this sheet with Sheets 6, 7, 9, & 10 of 18.
5. Offsets are measured from the  $\odot$  75th St. to the front face of wall.
6. See Sheet 11 of 18 for Light Pole Details.
7. See Sheet 13 of 18 for limits of architectural finish.
8. See Sheet 15 of 18 for railing details.

**LAP SPLICES**

Bar	Lap
#4	1'-8"
#5	2'-2"
#8	4'-6"

**TYLIN INTERNATIONAL**

DESIGNED	- PL
CHECKED	- SP
DRAWN	- PL
CHECKED	- SP

REVISIONS	
NAME	DATE

**WALL B**  
**PLAN & ELEVATION**  
**STA. 53+16.72 TO STA. 52+26.72**

**WASHINGTON - 75TH STREET**  
**F.A.U. ROUTE 2552**  
**SECTION 00-00114-00-PV**  
**DUPAGE COUNTY**