

PILE LAYOUT - WALL A

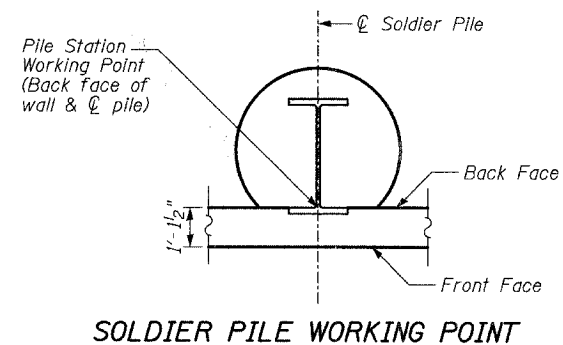
PILE LAYOUT - WALL B

Pile	Station at Working Point	Offset	Top of Pile Elev.	Pile Tip Elev.	Pile Length (ft.)	Pile Type	Top of Rock Elev.	Pile Embedment in Soil (ft.)	Min. Embedment in Rock (ft.)	Soldier Pile Encasement diameter (in.)
P-1	145+16.00	76.71 Lt.	663.15	641.74	21'-5"	HP14x89	649.30	13.85'	7.50'	30"
P-2	145+25.00	76.71 Lt.	663.66	641.75	21'-11"	HP14x89	649.30	14.36'	7.50'	30"
P-3	145+34.00	76.71 Lt.	664.17	641.76	22'-5"	HP14x89	649.30	14.87'	7.50'	30"
P-4	145+43.00	76.71 Lt.	664.68	641.77	22'-11"	HP14x89	649.30	15.38'	7.50'	30"
P-5	145+49.00	76.71 Lt.	664.73	641.98	22'-9"	HP14x89	649.53	15.20'	7.50'	30"
P-6	145+58.00	76.71 Lt.	664.65	642.48	22'-2"	HP14x89	649.99	14.66'	7.50'	30"
P-7	145+67.00	76.71 Lt.	664.57	642.91	21'-8"	HP14x89	650.45	14.12'	7.50'	30"
P-8	145+76.00	76.71 Lt.	664.50	643.33	21'-2"	HP14x89	650.88	13.61'	7.50'	30"
P-9	145+85.00	76.71 Lt.	664.42	643.67	20'-9"	HP14x89	651.19	13.23'	7.50'	30"
P-10	145+94.00	76.71 Lt.	664.34	643.93	20'-5"	HP14x89	651.50	12.85'	7.50'	30"
P-11	146+03.00	76.71 Lt.	664.27	644.27	20'-0"	HP14x89	651.80	12.46'	7.50'	30"
P-12	146+12.00	76.71 Lt.	664.19	644.86	19'-4"	HP14x89	652.37	11.82'	7.50'	30"
P-13	146+21.00	76.71 Lt.	664.11	645.45	18'-8"	HP14x89	652.98	11.13'	7.50'	30"
P-14	146+30.00	76.71 Lt.	664.04	646.04	18'-0"	HP14x89	653.59	10.44'	7.50'	30"
P-15	146+39.00	76.71 Lt.	664.00	644.83	19'-2"	W21x147	653.90	10.10'	9.00'	30"
P-16	146+48.00	76.71 Lt.	664.00	644.83	19'-2"	W21x147	653.90	10.10'	9.00'	30"
P-17	146+57.00	76.71 Lt.	664.00	644.83	19'-2"	W21x147	653.90	10.10'	9.00'	30"
P-18	146+66.57	76.80 Lt.	664.00	644.83	19'-2"	W21x147	653.90	10.10'	9.00'	30"
P-19	146+76.50	77.89 Lt.	664.00	644.83	19'-2"	W21x147	653.90	10.10'	9.00'	30"
P-20	146+86.23	80.18 Lt.	664.00	644.83	19'-2"	W21x147	653.90	10.10'	9.00'	30"
P-21	146+98.40	84.72 Lt.	664.00	644.83	19'-2"	W21x147	653.90	10.10'	9.00'	30"
P-22	147+07.68	88.46 Lt.	664.00	644.83	19'-2"	W21x147	653.90	10.10'	9.00'	30"
P-23	147+16.95	92.20 Lt.	664.00	644.83	19'-2"	W21x147	653.90	10.10'	9.00'	30"
P-24	147+23.45	94.81 Lt.	664.00	644.33	19'-8"	W21x147	653.90	10.10'	9.50'	30"
P-25	147+33.42	98.83 Lt.	664.00	644.33	19'-8"	W21x147	653.90	10.10'	9.50'	30"
P-26	147+42.69	102.57 Lt.	664.00	644.33	19'-8"	W21x147	653.90	10.10'	9.50'	30"
P-27	147+51.97	106.31 Lt.	664.00	644.41	19'-7"	W21x147	653.93	10.06'	9.50'	30"
P-28	147+61.24	110.05 Lt.	664.00	644.50	19'-6"	W21x147	654.03	9.96'	9.50'	30"
P-29	147+70.52	113.78 Lt.	664.00	644.58	19'-5"	W21x147	654.13	9.86'	9.50'	30"
P-30	147+79.79	117.52 Lt.	664.00	644.66	19'-4"	W21x147	654.20	9.80'	9.50'	30"

Pile	Station at Working Point	Offset	Top of Pile Elev.	Pile Tip Elev.	Pile Length (ft.)	Pile Type	Top of Rock Elev.	Pile Embedment in Soil (ft.)	Min. Embedment in Rock (ft.)	Soldier Pile Encasement diameter (in.)
P-31	143+73.81	72.82 Lt.	669.97	648.13	21'-10"	HP14x89	648.20	21.77'	0.00'	30"
P-32	143+80.96	70.56 Lt.	669.90	648.15	21'-9"	HP14x89	648.20	21.69'	0.00'	30"
P-33	143+88.13	68.38 Lt.	669.82	648.16	21'-8"	HP14x89	648.20	21.62'	0.00'	30"
P-34	143+95.38	66.46 Lt.	669.75	648.16	21'-7"	HP14x89	648.20	21.55'	0.00'	30"
P-35	144+02.70	64.81 Lt.	669.68	648.18	21'-6"	HP14x89	648.20	21.48'	0.00'	30"
P-36	144+10.07	63.41 Lt.	669.60	648.19	21'-5"	HP14x89	648.20	21.40'	0.00'	30"
P-37	144+17.48	62.29 Lt.	669.53	648.19	21'-4"	HP14x89	648.20	21.33'	0.00'	30"
P-38	144+24.93	61.43 Lt.	669.46	648.12	21'-4"	HP14x89	648.20	21.25'	0.00'	30"
P-39	144+32.41	60.84 Lt.	669.38	648.13	21'-3"	HP14x89	648.20	21.18'	0.00'	30"
P-40	144+39.90	60.52 Lt.	669.31	648.14	21'-2"	HP14x89	648.20	21.11'	0.00'	30"
P-41	144+47.40	60.46 Lt.	669.24	648.15	21'-1"	HP14x89	648.20	21.04'	0.00'	30"
P-42	144+54.90	60.46 Lt.	669.16	648.16	21'-0"	HP14x89	648.20	20.96'	0.00'	30"
P-43	144+62.40	60.46 Lt.	669.06	643.15	25'-11"	HP14x89	648.20	20.86'	5.00'	30"
P-44	144+69.90	60.46 Lt.	668.94	643.19	25'-9"	HP14x89	648.20	20.74'	5.00'	30"
P-45	144+77.40	60.46 Lt.	668.82	643.15	25'-8"	HP14x89	648.20	20.62'	5.00'	30"
P-46	144+84.90	60.46 Lt.	668.69	643.19	25'-6"	HP14x89	648.20	20.49'	5.00'	30"
P-47	144+92.40	60.46 Lt.	668.57	643.32	25'-3"	HP14x89	648.34	20.23'	5.00'	30"
P-48	144+99.90	60.46 Lt.	668.45	643.53	24'-11"	HP14x89	648.61	19.83'	5.00'	30"
P-49	145+07.40	60.46 Lt.	668.32	643.82	24'-6"	HP14x89	648.89	19.44'	5.00'	30"
P-50	145+14.90	60.46 Lt.	668.20	644.12	24'-1"	HP14x89	649.16	19.04'	5.00'	30"
P-51	145+22.40	60.46 Lt.	668.08	644.24	23'-10"	HP14x89	649.30	18.78'	5.00'	30"
P-52	145+29.90	60.46 Lt.	667.95	644.29	23'-8"	HP14x89	649.30	18.65'	5.00'	30"
P-53	145+37.40	60.46 Lt.	667.83	644.25	23'-7"	HP14x89	649.30	18.53'	5.00'	30"
P-54	145+44.90	60.46 Lt.	667.71	644.29	23'-5"	HP14x89	649.30	18.41'	5.00'	30"
P-55	145+53.65	60.46 Lt.	667.56	640.98	26'-7"	W21x147	649.55	18.01'	8.50'	30"
P-56	145+63.65	60.46 Lt.	667.40	641.48	25'-11"	W21x147	650.05	17.35'	8.50'	30"
P-57	145+73.65	60.46 Lt.	667.24	641.99	25'-3"	W21x147	650.55	16.69'	8.50'	30"
P-58	145+83.65	60.46 Lt.	667.07	642.49	24'-7"	W21x147	651.07	16.01'	8.50'	30"
P-59	145+93.65	60.46 Lt.	666.91	643.08	23'-10"	W21x147	651.60	15.31'	8.50'	30"
P-60	146+03.65	60.46 Lt.	666.75	643.58	23'-2"	W21x147	652.13	14.61'	8.50'	30"
P-61	146+13.65	60.46 Lt.	666.58	644.08	22'-6"	W21x147	652.65	13.93'	8.50'	30"
P-62	146+23.65	60.46 Lt.	666.42	644.59	21'-10"	W21x147	653.15	13.27'	8.50'	30"
P-63	146+33.65	60.46 Lt.	666.26	645.09	21'-2"	W21x147	653.65	12.61'	8.50'	30"
P-64	146+42.08	60.46 Lt.	666.13	644.88	21'-3"	W21x147	653.88	12.25'	9.00'	30"
P-65	146+52.08	60.46 Lt.	665.97	644.80	21'-2"	W21x147	653.81	12.16'	9.00'	30"
P-66	146+62.08	60.46 Lt.	665.81	644.73	21'-1"	W21x147	653.75	12.07'	9.00'	30"
P-67	146+72.06	60.91 Lt.	665.65	644.65	21'-0"	W21x147	653.67	11.98'	9.00'	30"
P-68	146+81.95	62.38 Lt.	665.50	644.50	21'-0"	W21x147	653.57	11.93'	9.00'	30"
P-69	146+91.64	64.84 Lt.	665.34	644.42	20'-11"	W21x147	653.47	11.87'	9.00'	30"
P-70	147+01.03	68.26 Lt.	665.18	644.35	20'-10"	W21x147	653.38	11.80'	9.00'	30"
P-71	147+10.31	72.00 Lt.	665.02	644.27	20'-9"	W21x147	653.31	11.71'	9.00'	30"
P-72	147+21.90	76.67 Lt.	664.83	644.16	20'-8"	W21x147	653.23	11.60'	9.00'	30"
P-73	147+28.63	79.38 Lt.	664.72	643.14	21'-7"	W21x147	653.18	11.54'	10.00'	30"
P-74	147+37.90	83.12 Lt.	664.61	643.11	21'-6"	W21x147	653.12	11.50'	10.00'	30"
P-75	147+47.18	86.86 Lt.	664.50	643.00	21'-6"	W21x147	653.05	11.46'	10.00'	30"
P-76	147+57.38	90.97 Lt.	664.39	642.80	21'-7"	W21x147	652.88	11.51'	10.00'	30"
P-77	147+66.65	94.71 Lt.	664.28	642.53	21'-9"	W21x147	652.54	11.74'	10.00'	30"
P-78	147+75.93	98.44 Lt.	664.17	642.17	22'-0"	W21x147	652.21	11.96'	10.00'	30"
P-79	147+85.20	102.18 Lt.	664.06	641.65	22'-5"	W21x147	651.66	12.41'	10.00'	30"

TYLINT INTERNATIONAL

DESIGNED	-	PL
CHECKED	-	SP
DRAWN	-	PL
CHECKED	-	SP



REVISIONS	
NAME	DATE

**WALLS A AND B
PILE DETAILS**

WASHINGTON - 75TH STREET
F.A.U. ROUTE 2552
SECTION 00-00114-00-PV
DUPAGE COUNTY