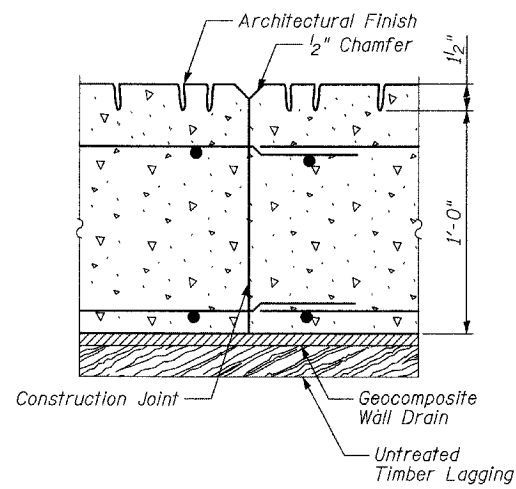


1/2" Preformed Joint Filler with Concrete Nails, Flat Head C.S. 1" Long @ 12" Cts. Vertical. Cost Included with Concrete Structures.

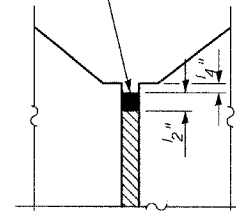
6" Hollow Bulb Type Non-Metallic Water Seal. Cost included with "Concrete Structures" Extend from bottom of facing to 6" below top of facing.

EXPANSION JOINT DETAIL

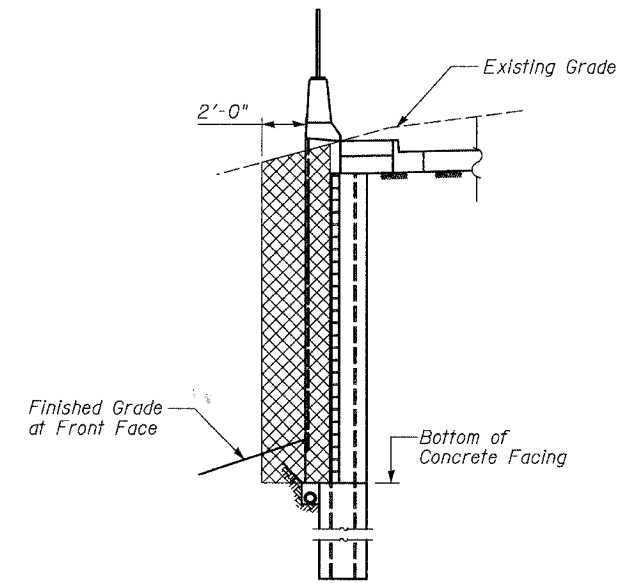


CONSTRUCTION JOINT DETAIL

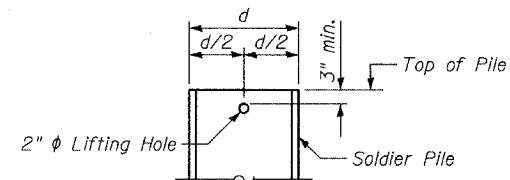
Two component non-staining gray sealing compound with polysulfite liquid polymer gun-grade with primer



DETAIL X



STRUCTURE EXCAVATION
(For Proposed Wall)



LIFTING HOLE DETAIL

Lifting hole to be provided if necessary. Cost included with "Furnishing Soldier Piles (W-Section) or (HP-Section).

NOTE:

The geocomposite wall drain shall be constructed according to Section 591 of the Standard Specifications.

TYLIN INTERNATIONAL

DESIGNED	- PL
CHECKED	- SP
DRAWN	- PL
CHECKED	- SP

REVISIONS	
NAME	DATE

**WALLS A AND B
MISCELLANEOUS DETAILS**

WASHINGTON - 75TH STREET
F.A.U. ROUTE 2552
SECTION 00-00114-00-PV
DUPAGE COUNTY