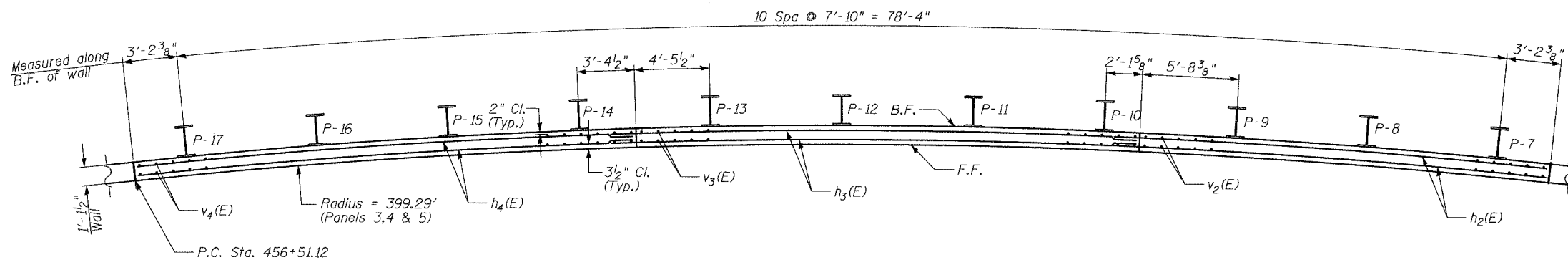


ELEVATION
(Looking At Front Face)

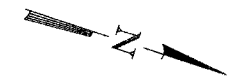
* See Cutting Diagram.
** Bend bars in field.



PLAN

NOTES:

1. B.F. denotes Back Face.
2. E.F. denotes Each Face.
3. F.F. denotes Front Face.
4. Work this sheet with Sheets 5 thru 8 of 30.
5. Pile spacing measured along back face of wall.
6. Offsets are measured from the @ NB Washington St. to the front face of wall.
7. See Sheet 13 for details and limits of architectural finish.
8. See Sheet 25 for railing details.



LAP SPLICES

Bar	Lap
#5	2'-2"

TYLIN INTERNATIONAL

DESIGNED	- DE
CHECKED	- SP
DRAWN	- TB
CHECKED	- SP

REVISIONS	
NAME	DATE

**WALL E - SOLDIER PILE
PLAN & ELEVATION
STA. 455+67.20 TO STA. 456+51.12**

WASHINGTON - 75TH STREET
F.A.U. ROUTE 2552
SECTION 00-00114-00-PV
DUPAGE COUNTY