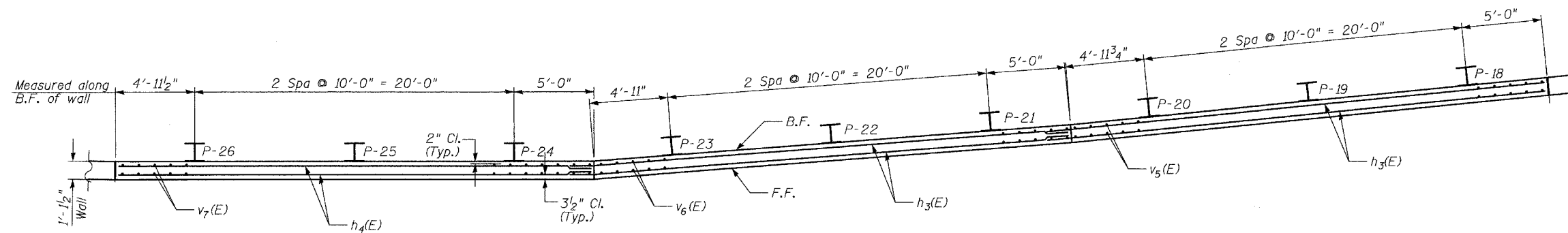


* See Cutting Diagram.

ELEVATION
(Looking At Front Face)



LAP SPLICES

Bar	Lap
#5	2'-2"

PLAN

TYLIN INTERNATIONAL

DESIGNED	- DE
CHECKED	- SP
DRAWN	- TB
CHECKED	- SP

NOTES:

1. B.F. denotes Back Face.
2. E.F. denotes Each Face.
3. F.F. denotes Front Face.
4. Work this sheet with Sheets 5 thru 8 of 30.
5. Pile spacing measured along back face of wall.
6. Offsets are measured from the NB Washington St. to the front face of wall.
7. See Sheet 13 for details and limits of architectural finish.
8. See Sheet 25 for railing details.

REVISIONS	
NAME	DATE

**WALL E - SOLDIER PILE
PLAN & ELEVATION
STA. 456+51.12 TO STA. 457+37.21**

WASHINGTON - 75TH STREET
F.A.U. ROUTE 2552
SECTION 00-00114-00-PV
DUPAGE COUNTY