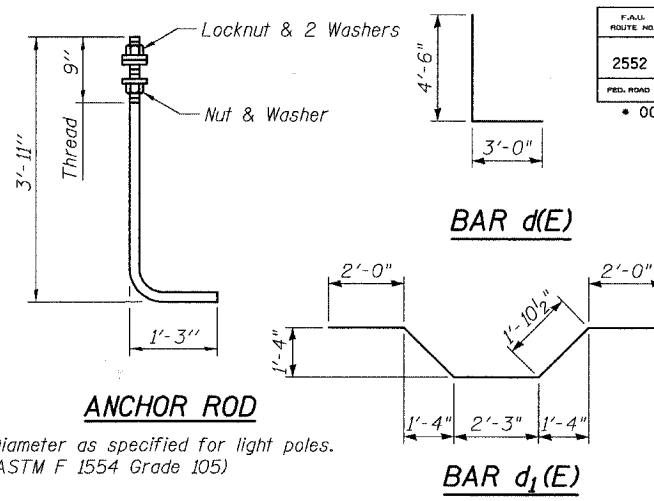


ELEVATION
(Looking At Front Face)



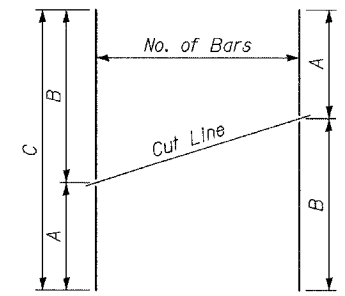
ANCHOR ROD

Diameter as specified for light poles.
(ASTM F 1554 Grade 105)

WALL E
BILL OF MATERIAL

Bar	No.	Size	Length	Shape
d(E)	3	#6	5'-0"	L
d ₁ (E)	5	#6	10'-0"	
h(E)	34	#5	26'-4"	
h ₁ (E)	34	#5	24'-4"	
h ₂ (E)	32	#5	32'-4"	
h ₃ (E)	94	#5	29'-9"	
h ₄ (E)	60	#5	29'-9"	
v(E)	48	#5	15'-9"	
v ₁ (E)	48	#5	15'-7"	
v ₂ (E)	25	#4	29'-8"	
v ₃ (E)	31	#4	26'-9"	
v ₄ (E)	31	#4	23'-5"	
v ₅ (E)	31	#4	20'-3"	
v ₆ (E)	31	#4	17'-6"	
v ₇ (E)	31	#4	15'-5"	
v ₈ (E)	31	#4	13'-2"	
v ₉ (E)	31	#4	10'-4"	

Structure Excavation	CU YD	339
Concrete Structures	CU YD	129
Protective Coat	SQ YD	109
Stud Shear Connectors	EACH	390
Untreated Timber Lagging	SQ FT	2,005
Reinforcement Bars, Epoxy Coated	POUND	12,450
Parapet Railing, Special	FOOT	282
Furnishing Soldier Piles (HP Section)	FOOT	231
Furnishing Soldier Piles (W Section)	FOOT	434
Geocomposite Wall Drain	SQ YD	223
Pipe Underdrains for Structures, 4"	FOOT	374
Drilling and Setting Soldier Piles (in Soil)	FOOT	2,505
Drilling and Setting Soldier Piles (in Rock)	FOOT	1,237
Form Liner Textured Surface	SQ YD	298
Anti-Graffiti Coating	SQ FT	2,682



SERIES OF BAR CUTTING DIAGRAM

See table for dimensions.
Make all cuts normal to bar axis

BAR TABLE SCHEDULE

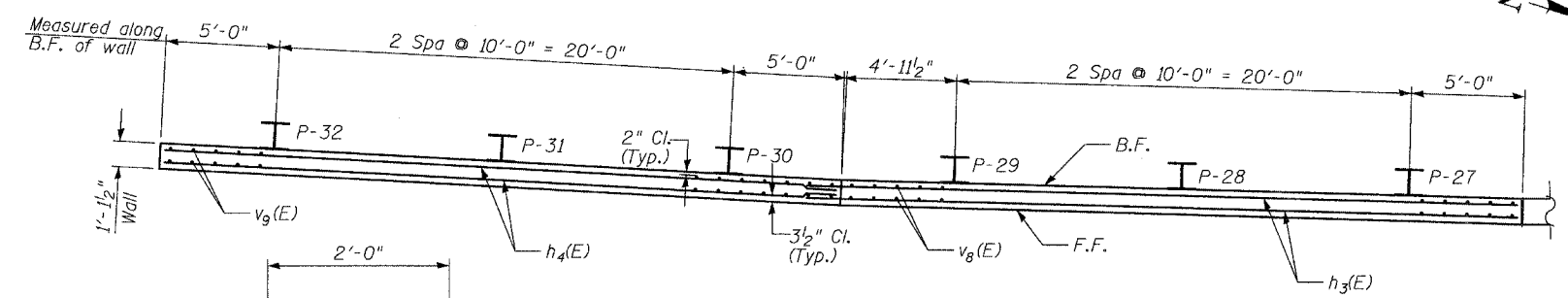
Bar	No. of Sets Req'd	No. of Bars Per Set	A	B	C
v ₂ (E)	1	25	15'-6"	14'-2"	29'-8"
v ₃ (E)	1	31	14'-2"	12'-7"	26'-9"
v ₄ (E)	1	31	12'-7"	10'-10"	23'-5"
v ₅ (E)	1	31	10'-10"	9'-5"	20'-3"
v ₆ (E)	1	31	9'-5"	8'-1"	17'-6"
v ₇ (E)	1	31	8'-1"	7'-4"	15'-5"
v ₈ (E)	1	31	7'-4"	5'-10"	13'-2"
v ₉ (E)	1	31	5'-10"	4'-6"	10'-4"

NOTES:

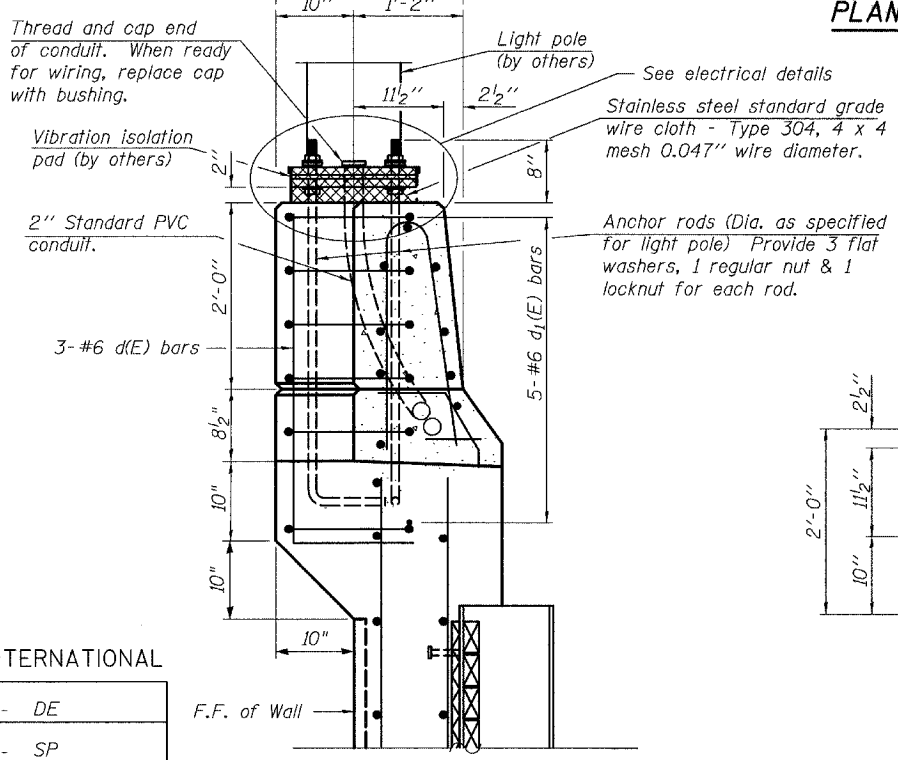
- B.F. denotes Back Face.
- E.F. denotes Each Face.
- F.F. denotes Front Face.
- Work this sheet with Sheets 5 thru 7 of 30.
- Pile spacing measured along back face of wall.
- Offsets are measured from the @ NB Washington St. to the front face of wall.
- See Sheet 13 for details and limits of architectural finish.
- See Sheet 25 for railing details.

LAP SPLICES

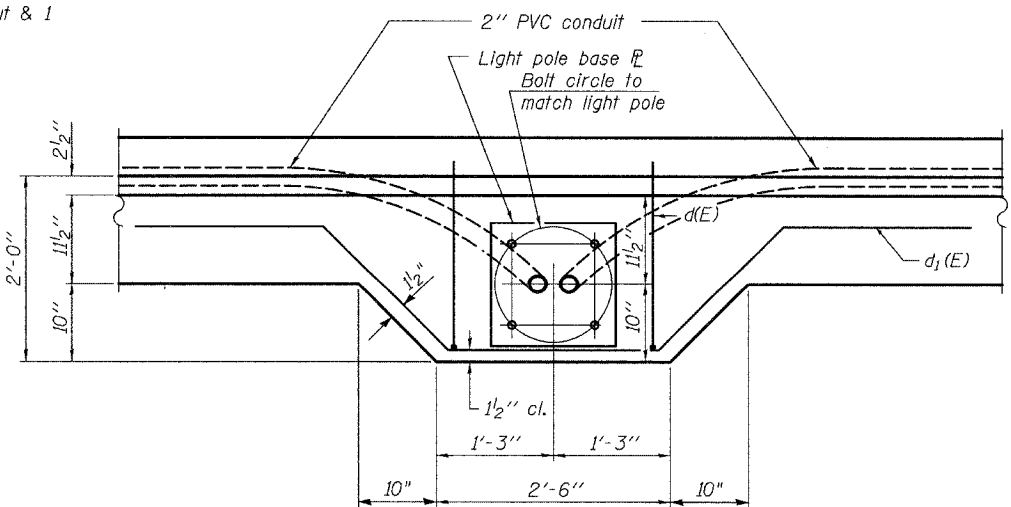
Bar	Lap
#5	2'-2"



PLAN



SECTION



LIGHT POLE DETAILS

PLAN

Note:
Cost of anchor rods is included with Concrete Structures.

TYLIN INTERNATIONAL

DESIGNED	- DE
CHECKED	- SP
DRAWN	- TB
CHECKED	- SP

REVISIONS	
NAME	DATE

WALL E - SOLDIER PILE
PLAN & ELEVATION
STA. 457+37.21 TO STA. 457+93.96

WASHINGTON - 75TH STREET
F.A.U. ROUTE 2552
SECTION 00-00114-00-PV
DUPAGE COUNTY