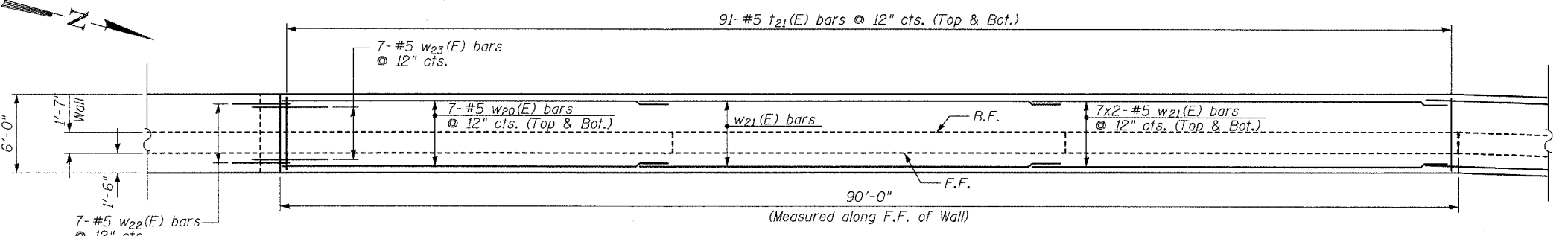
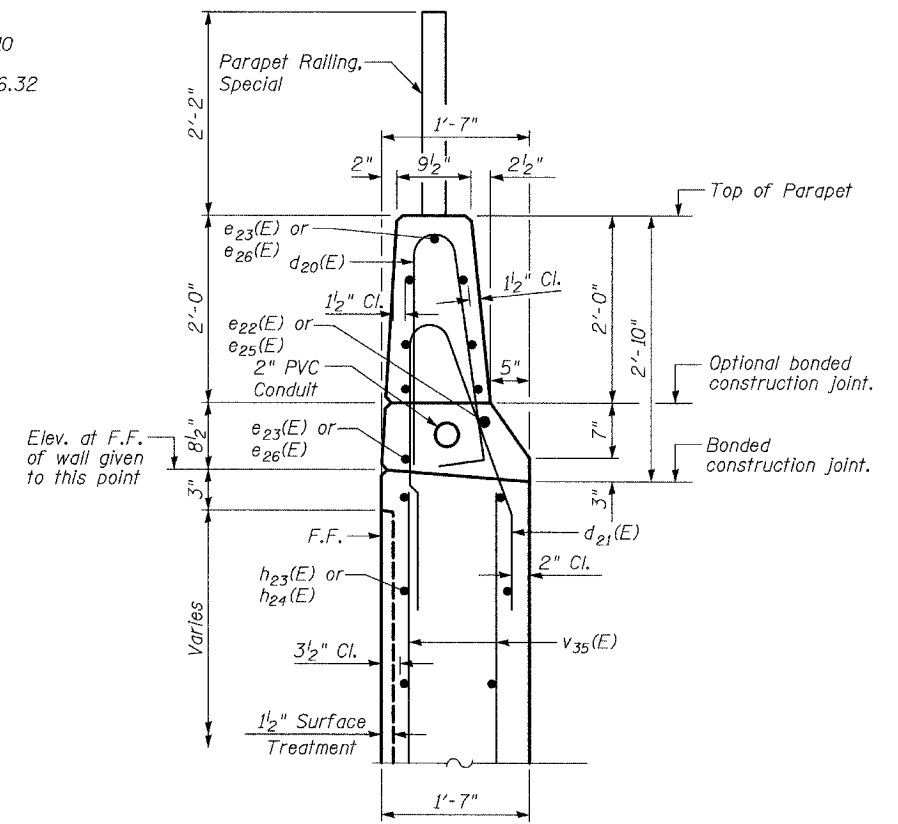


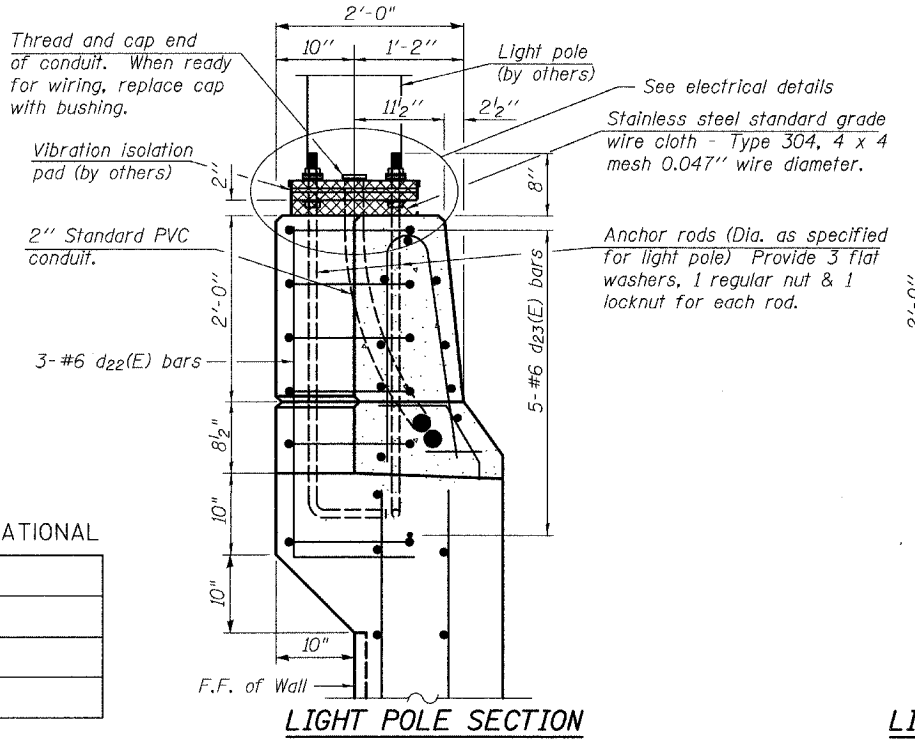
ELEVATION
(Looking at Front Face)



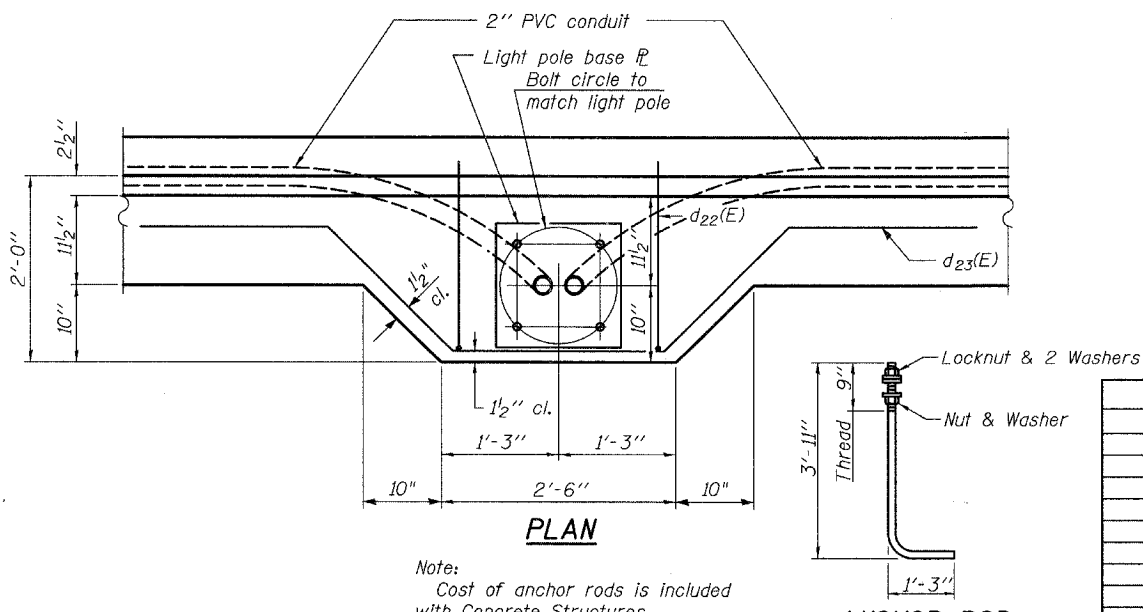
PLAN



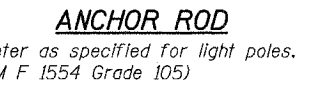
SECTION C-C
TYPE F BARRIER DETAIL



LIGHT POLE SECTION



PLAN



ANCHOR ROD

NOTES:

1. B.F. denotes Back Face.
2. E.F. denotes Each Face.
3. F.F. denotes Front Face.
4. Work this sheet with Sheets 16 thru 23 of 30.
5. Offsets measured from NB Washington St. to the front face of wall.
6. See Sheet 24 for details and limits of architectural finish.
7. See Sheet 25 for railing details.

LAP SPLICES

Bar	Lap
#4	1'-8"
#5	2'-2"
#8	4'-6"

TYLIN INTERNATIONAL

DESIGNED	- DE
CHECKED	- SP
DRAWN	- DE
CHECKED	- SP

REVISIONS	
NAME	DATE

WALL F- CANTILEVER WALL
PLAN & ELEVATION
STA. 464+50.35 TO STA. 465+40.93

WASHINGTON - 75TH STREET
F.A.U. ROUTE 2552
SECTION 00-00114-00-PV
DUPAGE COUNTY