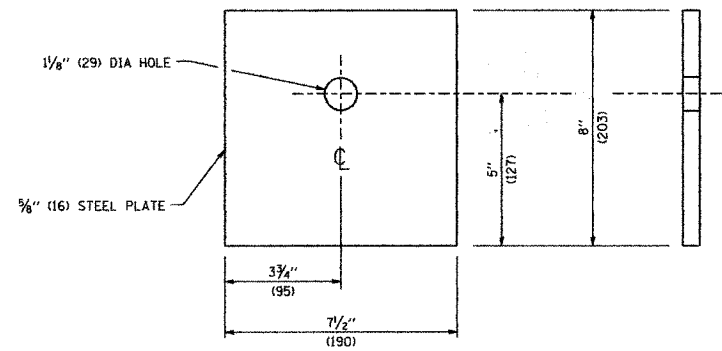
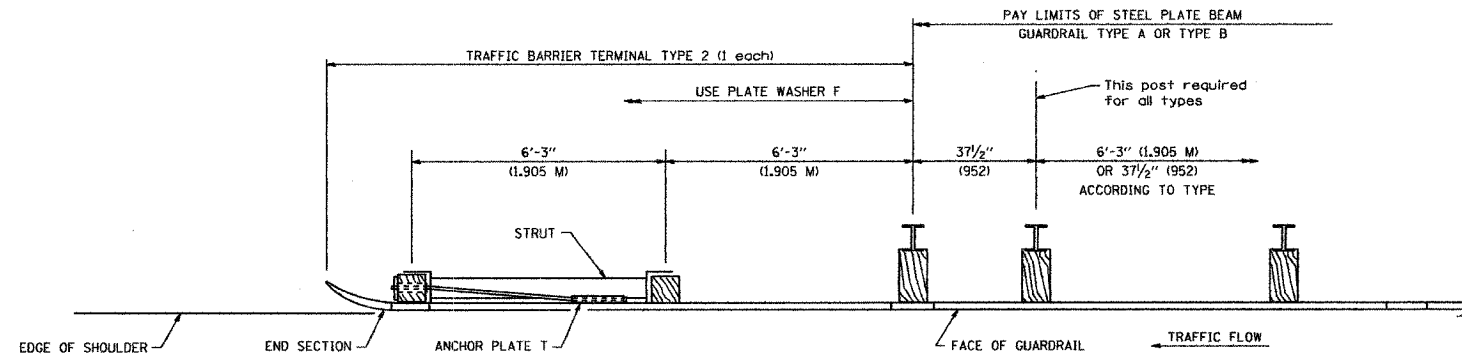


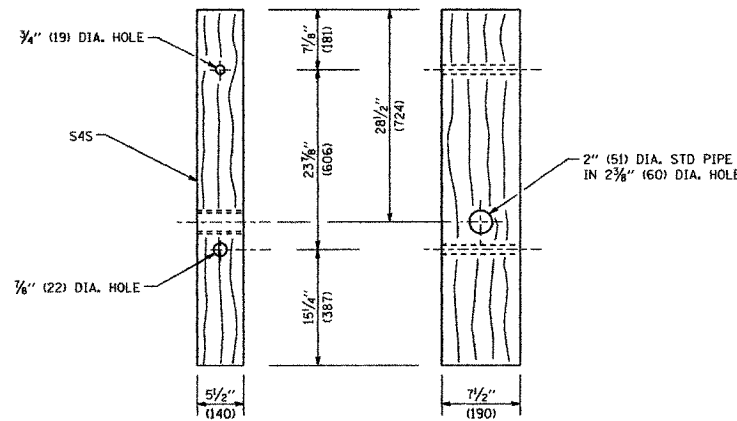
F.A. RTE.	SECTION	COUNTY	TOTAL SHEETS	SHEET NO.
252	00-0014-0004	Do Dale	483	452
STA. TO STA.		ILLINOIS FED. AID PROJECT		



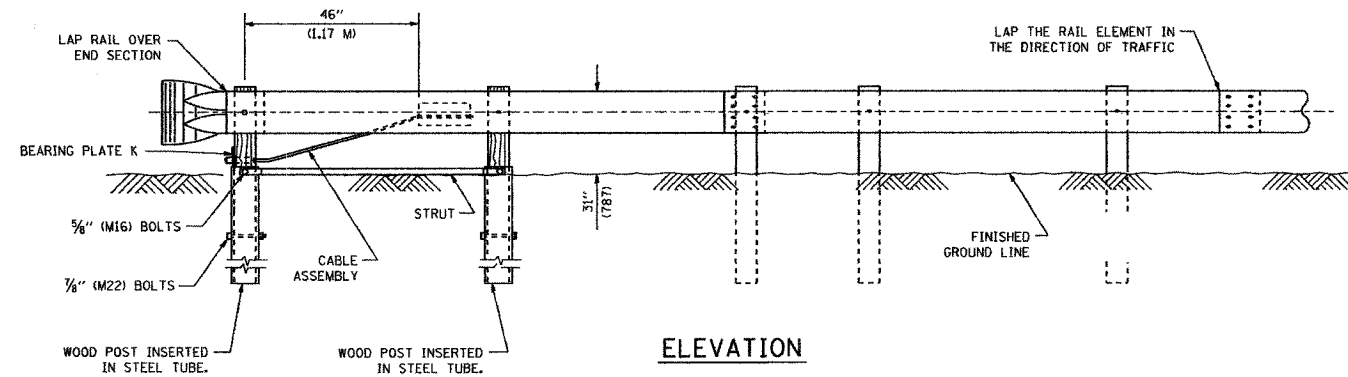
BEARING PLATE K



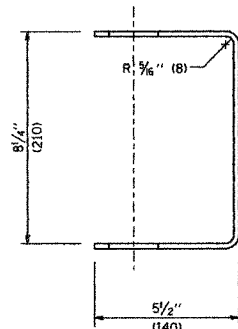
PLAN



WOOD POST

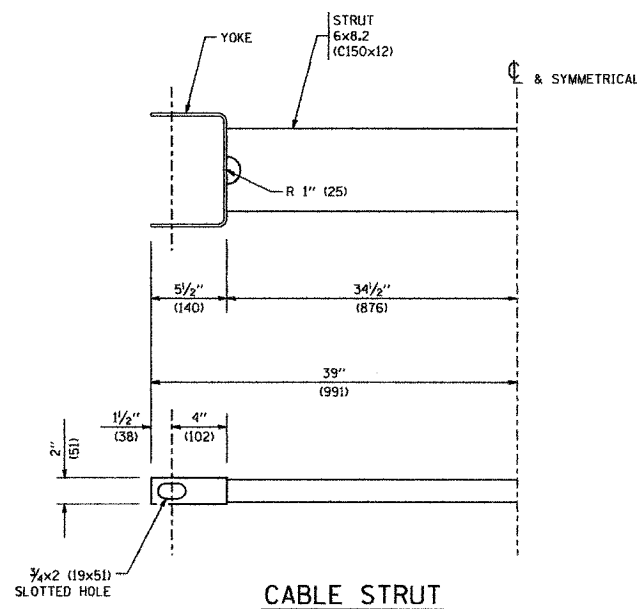


ELEVATION

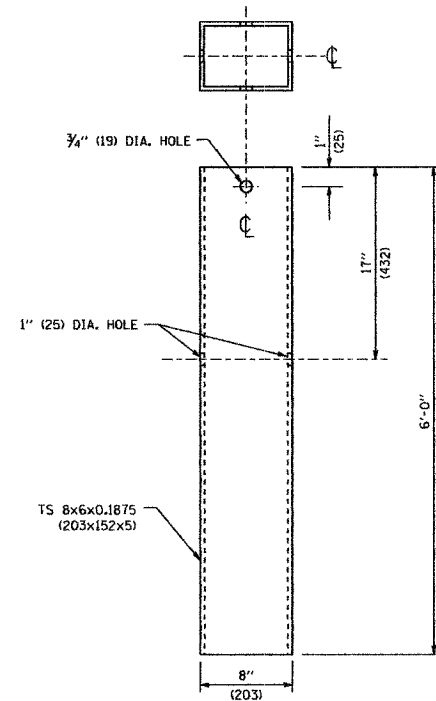


YOKE

3/8" (5) THICK STEEL



CABLE STRUT



STEEL TUBE

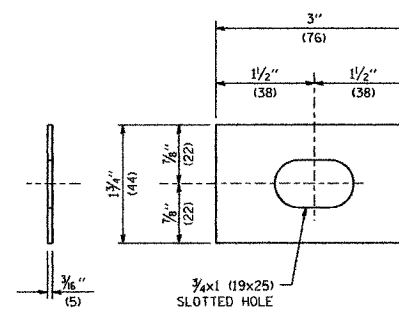


PLATE WASHER F

GENERAL NOTES

- SEE STANDARD 630001 FOR DETAILS OF GUARDRAIL NOT SHOWN.
- THE BEARING PLATE K SHALL BE HELD IN POSITION BY (2) TWO EIGHT PENNY NAILS DRIVEN INTO THE POST AND BENT OVER THE TOP OF THE PLATE.
- ALL DIMENSIONS ARE IN MILLIMETERS (INCHES) UNLESS OTHERWISE SHOWN.

REVISIONS	NAME	DATE

ILLINOIS DEPARTMENT OF TRANSPORTATION

TRAFFIC BARRIER TERMINAL, TYPE 2

SCALE: NONE

DRAWN BY

CHECKED BY

BD-TRAFBARTEMTYPE2