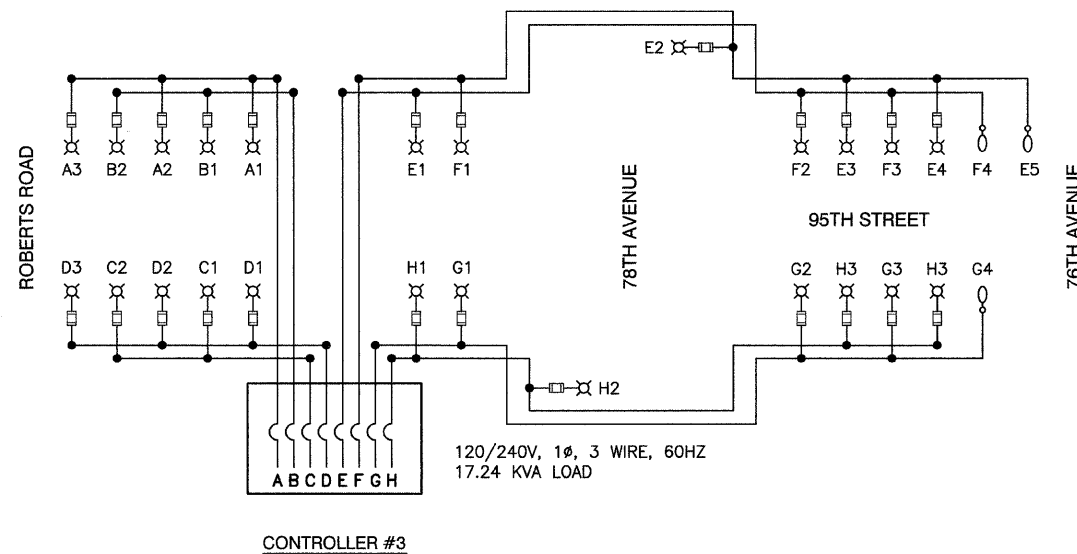
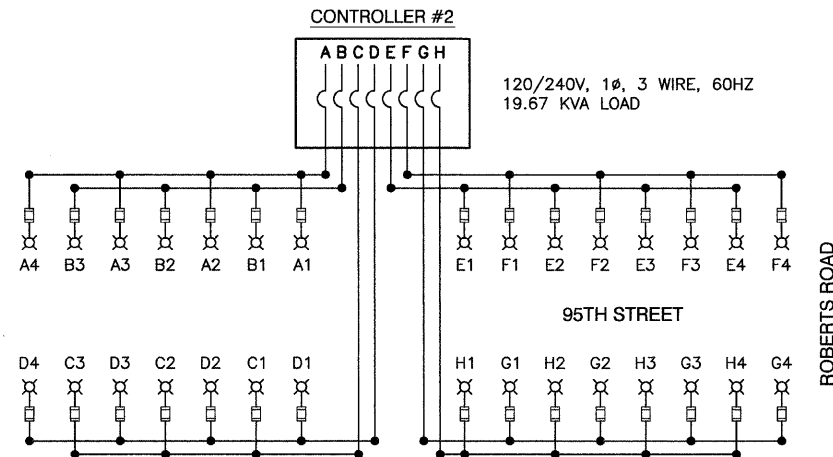


CONTROLLER #1		
CIRCUIT	WATTS	AMPS
A	2200	20.0
B	1650	15.0
C	1650	15.0
D	2200	20.0
E	2200	20.0
F	1650	15.0
G	2200	20.0
H	1650	15.0
TOTAL LOAD	15400	140.0

CONTROLLER #2		
CIRCUIT	WATTS	AMPS
A	2200	20.0
B	1650	15.0
C	1650	15.0
D	2200	20.0
E	2200	20.0
F	2200	20.0
G	2200	20.0
H	2200	20.0
TOTAL LOAD	16500	150.0

CONTROLLER #3		
CIRCUIT	WATTS	AMPS
A	1650	15.0
B	1100	10.0
C	1100	10.0
D	1650	15.0
E	2600	23.9
F	2050	18.9
G	2200	20.0
H	2050	18.9
TOTAL LOAD	14400	131.7



LEGEND

- ⊗ LUMINAIRE, 250W HPS
- FUSE, 3.5 AMP
- A1 LUMINAIRE AND FESTOON CIRCUIT
- } CIRCUIT BREAKER
- CONNECTION
- EXISTING LUMINAIRE, 400W HPS

REVISIONS	
NAME	DATE

ILLINOIS DEPARTMENT OF TRANSPORTATION

**95TH STREET
STREET LIGHTING PLAN
WIRING DIAGRAM**

SCALE: VERT. NA
HORIZ. NA
DATE 07/15/08
DRAWN BY AG
CHECKED BY PAP