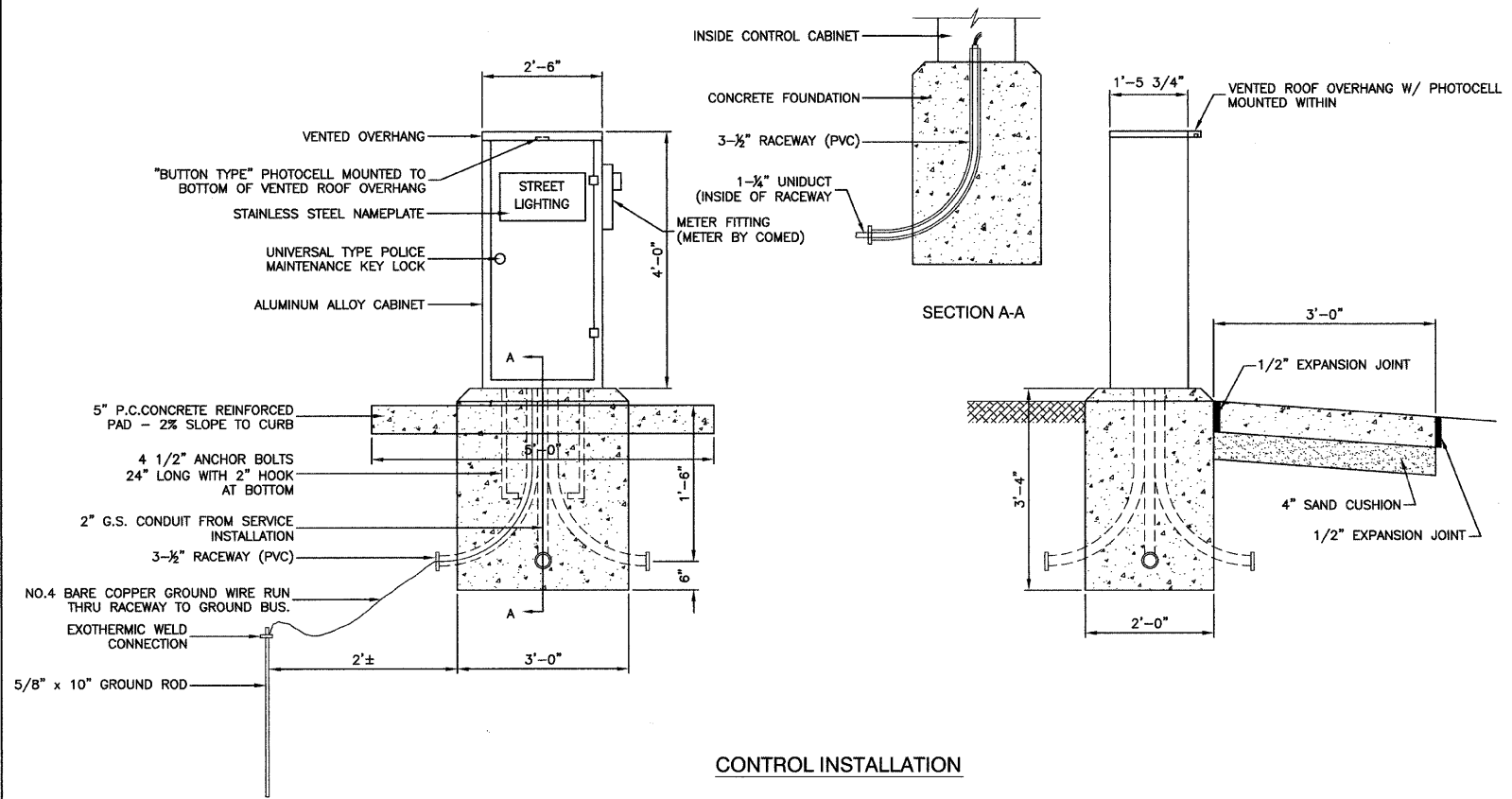


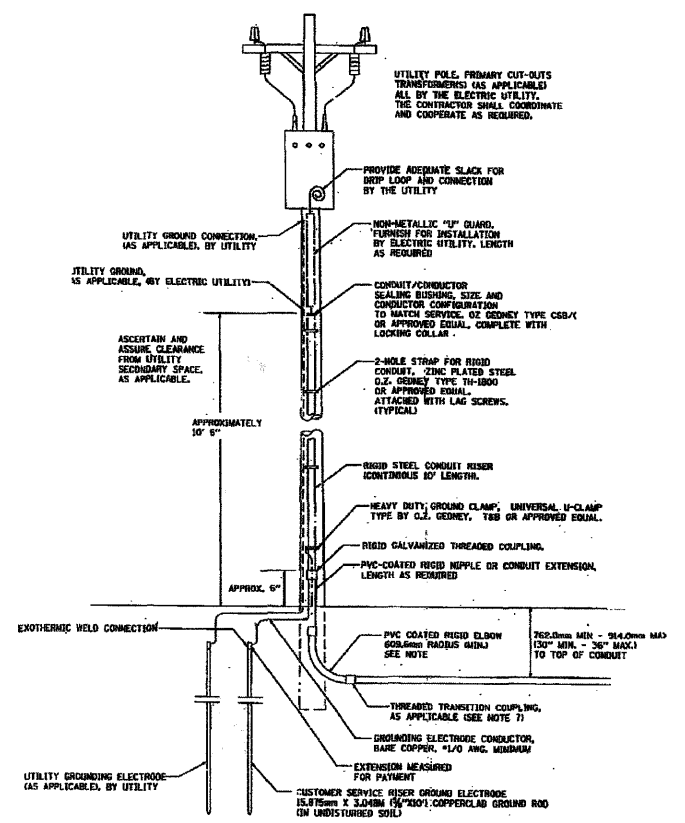
F. A. P. NO.	SECTION	COUNTY	TOTAL SHEETS	SHEET NO.
29	08-00055-00-LT	COOK	012	010
STA.		TO STA.		
FED. ROAD DIST. NO.	ILLNOIS	FED. AID PROJECT		

CONTRACT #63028

120/240 VOLT, 1Ø, 3 WIRE, 60HZ SERVICE

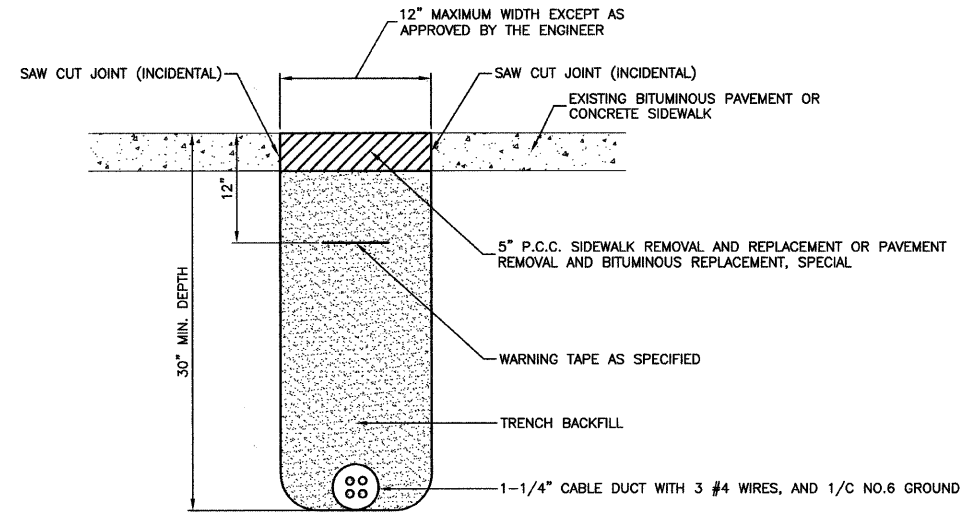


CONTROL INSTALLATION

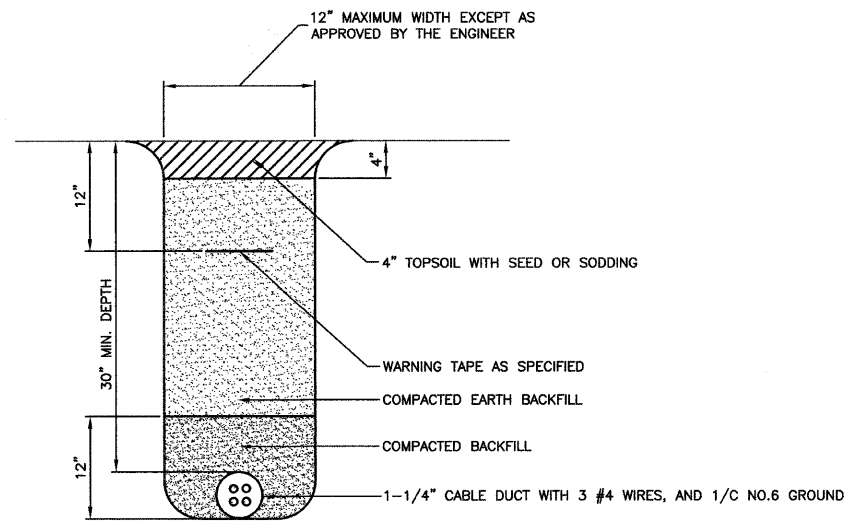


ELECTRIC UTILITY SERVICE CONNECTION

- NOTES:
- SERVICE VOLTAGE SHALL BE AS INDICATED ELSEWHERE IN THE DRAWINGS.
 - UNLESS OTHERWISE INDICATED, ITEMS AND WORK SHALL BE INCLUDED AND PAID AS PART OF ELECTRICAL UTILITY SERVICE INSTALLATION.
 - CONDUIT AND CONDUCTOR DIAMETER SHALL MATCH THE DIAMETER OF THE SERVICE CONDUCTOR RACEWAY AS INDICATED.
 - PVC COATED RACEWAYS AND ACCESSORIES SHALL BE CAREFULLY INSTALLED WITH RECOMMENDED TOOLS AND PROCEDURES TO AVOID DAMAGE. ANY DAMAGE SHALL BE REPAIRED WITH COMPATIBLE PVC TOUCH-UP MATERIAL TO THE SATISFACTION OF THE ENGINEER OR THE DAMAGED MATERIAL SHALL BE REPLACED AT NO ADDITIONAL COST.
 - THE CONTRACTOR SHALL OBTAIN INSPECTION AND APPROVAL BY THE ENGINEER OF SERVICE RISER GROUND ELECTRODE, RISER ELBOW, NEUTRAL AND CONNECTION TO SERVICE CONDUCTOR RACEWAY EXTENSION BEFORE BACKFILL AND SHALL ALSO OBTAIN INSPECTION OF SERVICE RISER AND SEALING ELBOW BEFORE UTILITY "U" GUARD INSTALLATION AND SERVICE CONNECTION.
 - THE SERVICE METER SOCKET, AS APPLICABLE, MOUNTED ELSEWHERE AS INDICATED SHALL BE INCLUDED AND PAID AS PART OF THE ELECTRICAL UTILITY SERVICE INSTALLATION PAY ITEM.
 - THE SERVICE CONDUCTOR RACEWAY SHALL BE AS INDICATED AND SHALL BE MEASURED SEPARATELY FOR PAYMENT. WHEN THE RACEWAY IS PVC-COATED GALVANIZED STEEL, THE COUPLING SHALL BE THE SAME. WHEN THE RACEWAY IS PVC CONDUIT OR CONCRETE, THE COUPLING SHALL BE A METALIC TO NON METALIC ADAPTER. WHEN THE RACEWAY IS ENCASED IN CONCRETE, THE CONCRETE SHALL EXTEND TO COVER THE COUPLING.
 - PLANS AND DETAILS INDICATE THE GENERAL NATURE AND REQUIREMENTS. THEY DO NOT SHOW EVERY ACCESSORY AND ATTACHMENT, AND THEY DO NOT RELIEVE THE CONTRACTOR OF THE REQUIREMENTS OF THE SPECIFICATIONS AND SPECIAL PROVISIONS TO ASCERTAIN UTILITY REQUIREMENTS AND TO COORDINATE ACCORDINGLY. FURNISH ALL ITEMS AND WORK NOT PROVIDED BY THE UTILITY, BUT NECESSARY FOR A COMPLETE SERVICE INSTALLATION.



BITUMINOUS PAVEMENT OR CONCRETE SIDEWALK REMOVAL AND REPLACEMENT



TRENCH DETAIL

REVISIONS	
NAME	DATE

ILLINOIS DEPARTMENT OF TRANSPORTATION

95TH STREET
STREET LIGHTING PLAN
LIGHTING DETAILS

SCALE: VERT. NA
HORIZ. NA
DATE: 07/15/08

DRAWN BY: AG
CHECKED BY: PAP

ROBINSON ENGINEERING, LTD.
17000 SOUTH PARK AVENUE, SOUTH HOLLAND, ILLINOIS 60473
(708) 331-6700 FAX (708) 331-8828
ILLINOIS DESIGN FIRM REGISTRATION NO. 184001128