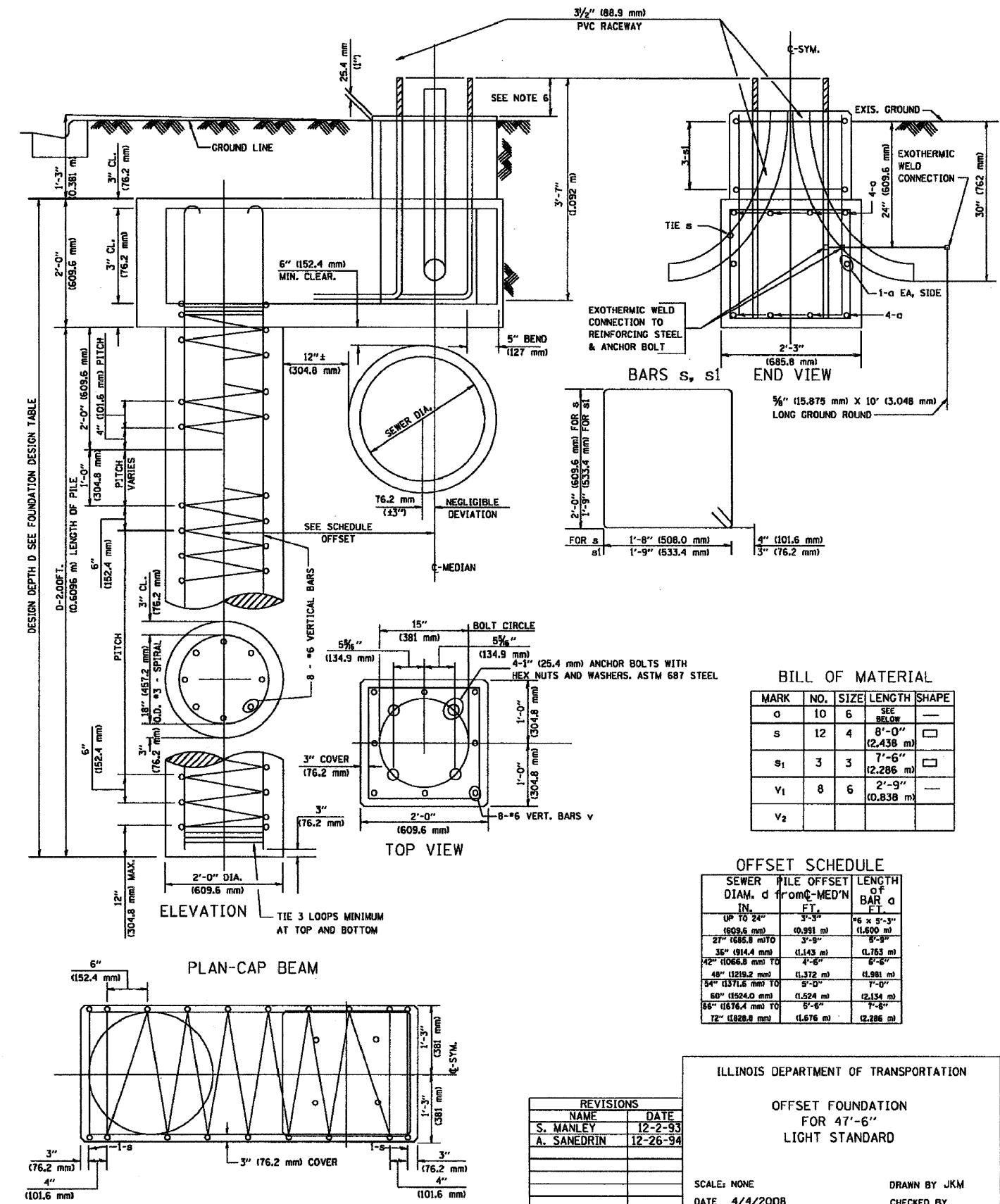


CONTRACT #63028



FOUNDATION DESIGN TABLE

TYPE OF SOIL	DESIGN DEPTH OF FOUNDATION		REINFORCEMENT IN FOUNDATION			
	SINGLE ARM D	TWIN ARM D	SINGLE ARM		TWIN ARM	
			VERT BARS	SPIRAL	VERT BARS	SPIRAL
SOFT CLAY	13'-0" (3.962 m)	15'-0" (4.572 m)	8-#6X12'-6" (3.810 m)	*3X122' (37.186 m)	8-#6X14'-3" (4.343 m)	*3X141' (42.977 m)
MEDIUM CLAY	9'-6" (2.896 m)	10'-9" (3.277 m)	8-#6X9'-0" (2.743 m)	*3X90' (27.432 m)	8-#6X10'-0" (3.048 m)	*3X100' (30.480 m)
STIFF CLAY	7'-0" (2.134 m)	8'-0" (2.438 m)	8-#6X6'-6" (1.981 m)	*3X66' (20.112 m)	8-#6X7'-6" (2.286 m)	*3X76' (23.165 m)
LOOSE SAND	9'-0" (2.743 m)	10'-0" (3.048 m)	8-#6X8'-6" (2.591 m)	*3X85' (25.908 m)	8-#6X9'-6" (2.896 m)	*3X94' (28.651 m)
MEDIUM SAND	8'-3" (2.515 m)	9'-0" (2.743 m)	8-#6X8'-0" (2.438 m)	*3X78' (23.774 m)	8-#6X8'-6" (2.591 m)	*3X85' (25.908 m)
DENSE SAND	7'-9" (2.362 m)	9'-0" (2.743 m)	8-#6X7'-6" (2.286 m)	*3X73' (22.250 m)	8-#6X8'-6" (2.591 m)	*3X85' (25.908 m)
ROCK OR SOLIDIFIED SLAG	(5'-0") 1.524 m	5'-0" (1.524 m)	NONE	NONE	NONE	NONE

NOTES

1. THE ENGINEER SHALL DETERMINE THE CLASS OF SOIL DURING EXCAVATION AND SELECT THE DESIGN DEPTH OF FOUNDATION FROM THE DESIGN TABLE.
2. EXCAVATION OF THE POLE FOUNDATION SHALL BE MADE WITH AN AUGER, 24" (609.6 mm) OR 30" (762.0 mm) IN DIAMETER.
3. THE ANCHOR SHALL BE A TACK WELDED TYPE BOLT OR HOOK TYPE BOLT. COLD BENDING OF THE HOOK BOLT WILL NOT BE ALLOWED.
4. THE ANCHOR BOLTS AND RACEWAYS SHALL BE PROPERLY SECURED IN PLACE BEFORE THE CONCRETE IS PLACED IN THE FORM.
5. THE ENTIRE LENGTH OF THE ANCHOR BOLTS AS WELL AS THE NUTS AND WASHERS SHALL BE HOT DIP GALVANIZED IN ACCORDANCE WITH THE REQUIREMENTS OF ASTM DESIGNATION A 153.
6. THE CONTRACTOR SHALL COORDINATE EXTENSION OF ANCHOR BOLTS ABOVE TOP OF FOUNDATION WITH THE BREAKAWAY DEVICE MANUFACTURER'S REQUIREMENTS. IF LIGHT POLE IS MOUNTED WITHOUT BREAKAWAY DEVICE, ANCHOR BOLTS SHALL PROJECT 3" (76.2 mm) ABOVE TOP OF THE FOUNDATION. THE CONTRACTOR SHALL CONFIRM ANCHOR BOLT EXTENTION WITH ENGINEER.
7. RACEWAYS SHALL PROJECT 1" (25.4 mm) ABOVE THE TOP OF THE FOUNDATION.
8. CONCRETE SHALL BE CLASS "X". CONCRETE FOUNDATION MUST BE CURED FOR TEN (10) DAYS BEFORE THE LIGHT STANDARD IS ERECTED.
9. THE CABLE TRENCH SHALL BE BACKFILLED AND FIRMLY COMPACTED BEFORE THE LIGHT IS ERECTED.

BILL OF MATERIAL

MARK	NO.	SIZE	LENGTH	SHAPE
o	10	6	SEE BELOW	—
s	12	4	8'-0" (2.438 m)	□
s1	3	3	7'-6" (2.286 m)	□
v1	8	6	2'-9" (0.838 m)	—
v2				

OFFSET SCHEDULE

SEWER PILE DIAM. IN.	PILE OFFSET FROM MEDIAN FT.	LENGTH OF BAR FT.
UP TO 24" (609.6 mm)	3'-3" (0.991 m)	*6 x 5'-3" (1.600 m)
27" (685.8 mm) TO 35" (894.4 mm)	3'-3" (0.991 m)	*6 x 5'-3" (1.600 m)
35" (894.4 mm) TO 42" (1066.8 mm)	4'-6" (1.372 m)	*6 x 6'-6" (1.981 m)
42" (1066.8 mm) TO 48" (1219.2 mm)	4'-6" (1.372 m)	*6 x 6'-6" (1.981 m)
48" (1219.2 mm) TO 54" (1371.6 mm)	5'-0" (1.524 m)	*6 x 7'-6" (2.286 m)
54" (1371.6 mm) TO 60" (1524.0 mm)	5'-0" (1.524 m)	*6 x 7'-6" (2.286 m)
60" (1524.0 mm) TO 66" (1676.4 mm)	5'-6" (1.676 m)	*6 x 8'-6" (2.591 m)
66" (1676.4 mm) TO 72" (1828.8 mm)	5'-6" (1.676 m)	*6 x 8'-6" (2.591 m)

REVISIONS	
NAME	DATE
S. MANLEY	12-2-93
A. SANEDRIN	12-26-94

ILLINOIS DEPARTMENT OF TRANSPORTATION  
 OFFSET FOUNDATION FOR 47'-6" LIGHT STANDARD  
 SCALE: NONE  
 DATE: 4/4/2008  
 DRAWN BY: JKM  
 CHECKED BY: \_\_\_\_\_

BE-6

REVISIONS	
NAME	DATE

ILLINOIS DEPARTMENT OF TRANSPORTATION  
 95TH STREET STREET LIGHTING PLAN LIGHTING DETAILS  
 SCALE: VERT. NA  
 HORIZ. NA  
 DATE: 07/15/08  
 DRAWN BY: AG  
 CHECKED BY: PAP