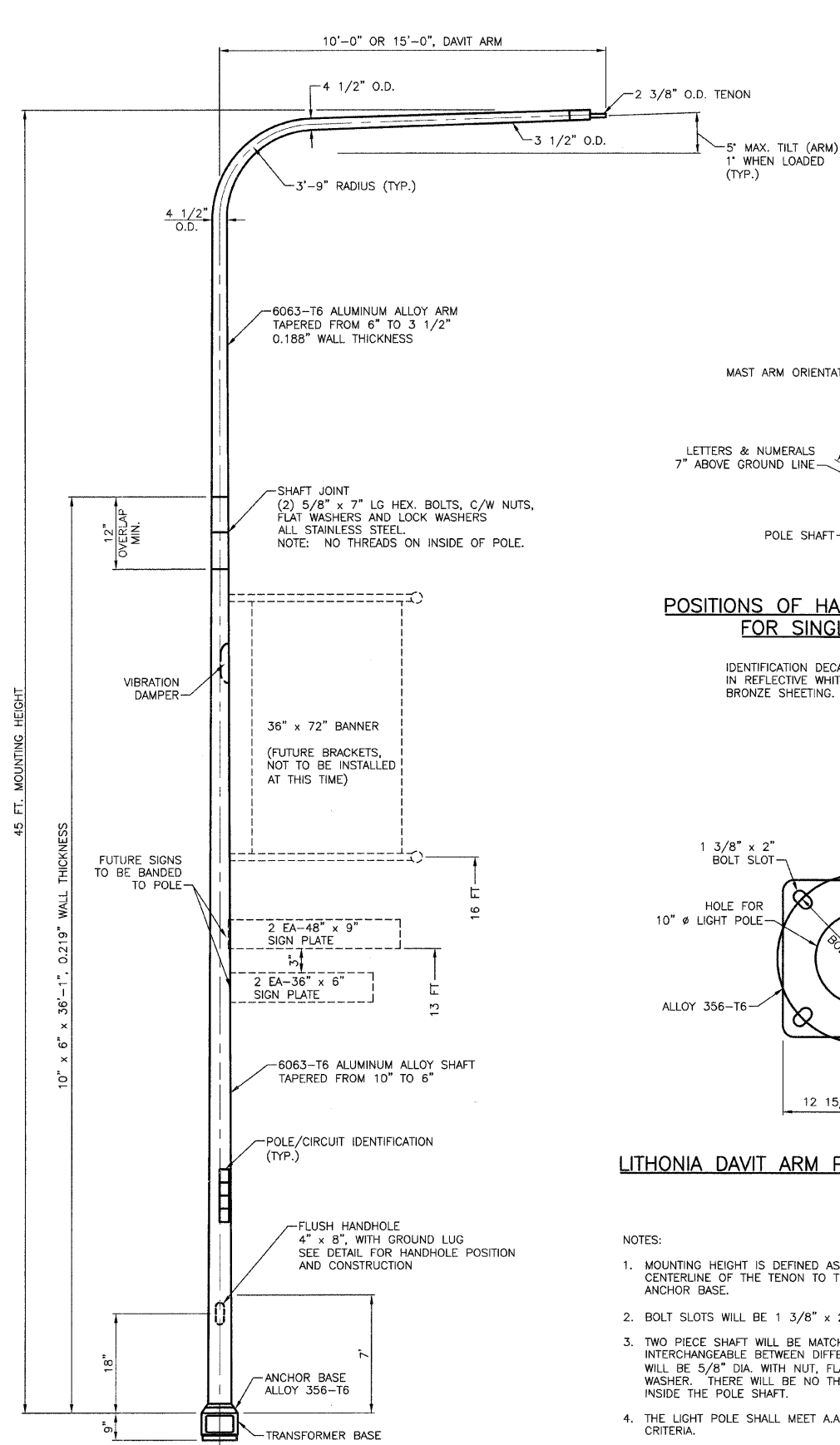
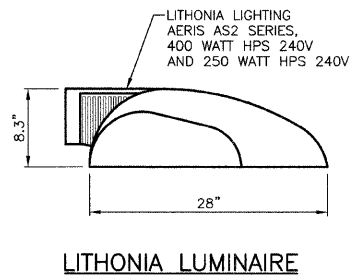


SECTION	COUNTY	TOTAL SHEETS	SHEET NO.
08-00053-00-LT	COOK/DUPAGE	15	11
ILLINOIS ROUTE 83 (BUSSE ROAD)			
LIGHTING DETAILS			

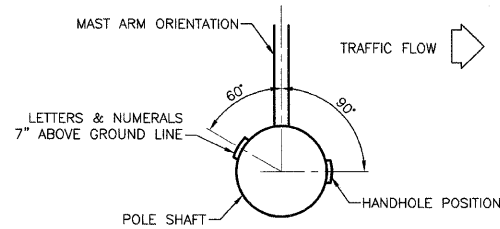


LITHONIA DAVIT ARM POLE

THE POLE SHAFT, DAVIT ARM, TRANSFORMER BASE, AND LUMINAIRE WITH MAST ARM ADAPTER SHALL BE PAINTED IN DARK BRONZE COLOR, POWDER COATED.

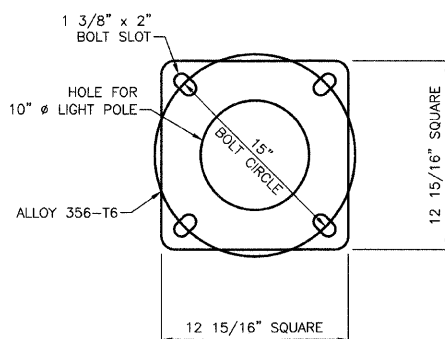


LITHONIA LUMINAIRE



POSITIONS OF HANDHOLE AND POLE NUMBER FOR SINGLE MAST ARM POLES

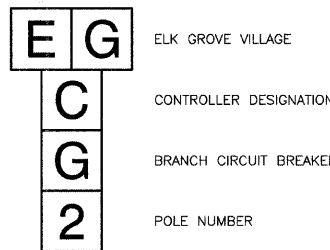
IDENTIFICATION DECALS - LETTER AND NUMERALS SHALL BE IN REFLECTIVE WHITE ON PRESSURE SENSITIVE REFLECTIVE BRONZE SHEETING.



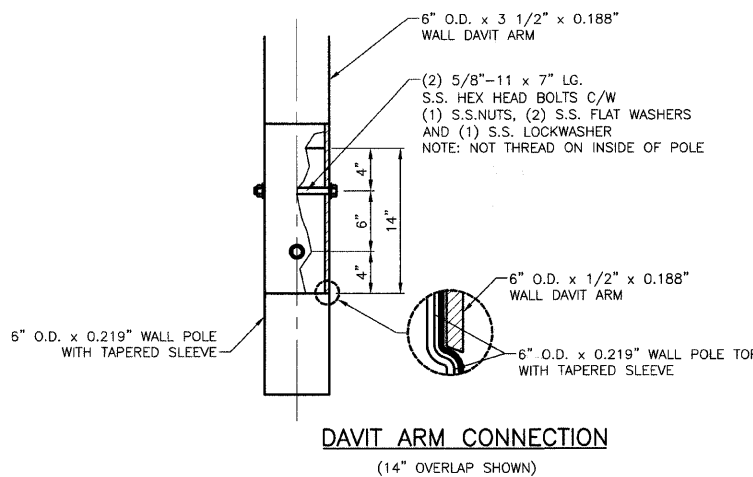
LITHONIA DAVIT ARM POLE BASE PLATE DETAIL

NOTES:

1. MOUNTING HEIGHT IS DEFINED AS THE DISTANCE FROM THE CENTERLINE OF THE TENON TO THE BOTTOM OF THE ANCHOR BASE.
2. BOLT SLOTS WILL BE 1 3/8\" x 2\" CENTERED.
3. TWO PIECE SHAFT WILL BE MATCH MARKED AND INTERCHANGEABLE BETWEEN DIFFERENT UNITS. STUD BOLT WILL BE 5/8\" DIA. WITH NUT, FLAT WASHER, AND LOCK WASHER. THERE WILL BE NO THREADS ON THE BOLT INSIDE THE POLE SHAFT.
4. THE LIGHT POLE SHALL MEET A.A.S.H.T.O. DESIGN CRITERIA.

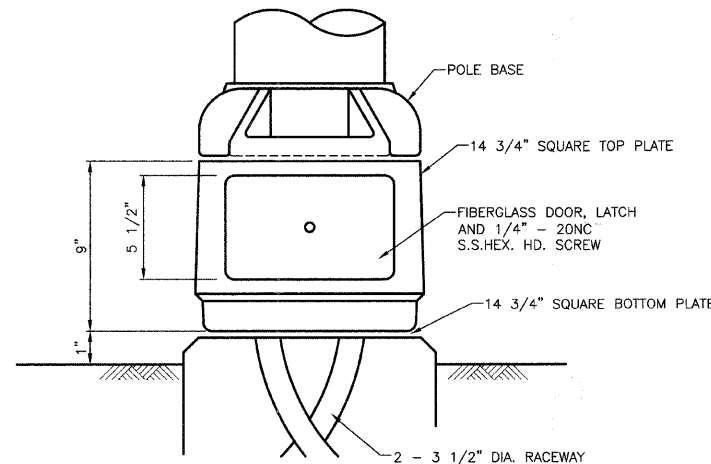


POLE NUMBERING TYP.



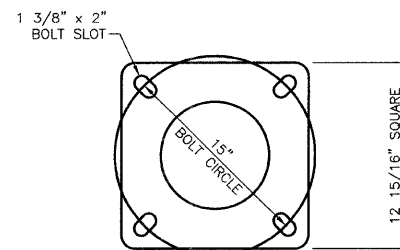
DAVIT ARM CONNECTION

(14\"/>

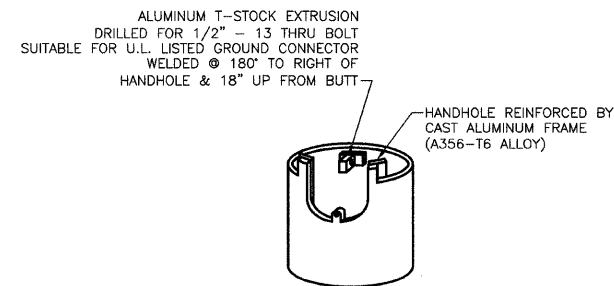


BREAKAWAY DEVICE, TRANSFORMER BASE

THE BREAKAWAY TRANSFORMER BASE SHALL HAVE A LISTING OF APPROVAL BY FHWA COMPLIANCE TO 1985 AASHTO REQUIREMENTS.



TOP/BOTTOM DETAIL TRANSFORMER BASE



HANDHOLE AND GROUND LUG DETAIL

REVISIONS	
NAME	DATE

ILLINOIS DEPARTMENT OF TRANSPORTATION
ILLINOIS ROUTE 83
ROADWAY LIGHTING
LIGHTING DETAILS

ILLINOIS ROUTE 83
(BUSSE ROAD)

DATE: 05/14/2008
CHECKED BY: D.N.M.