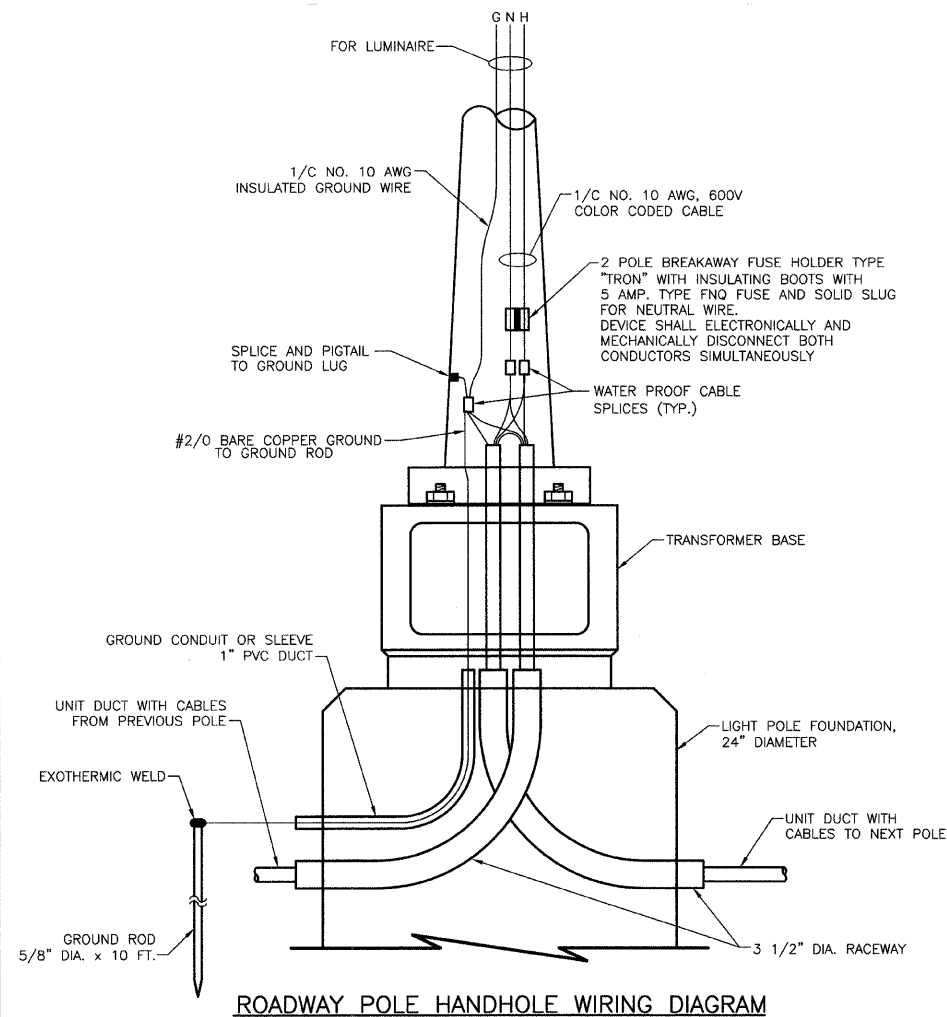
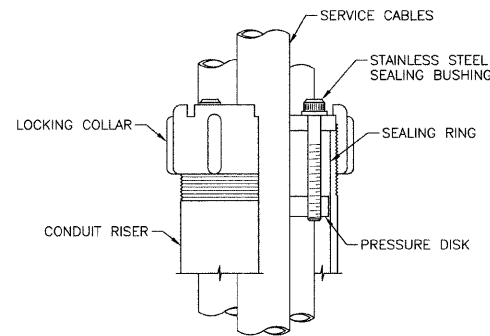


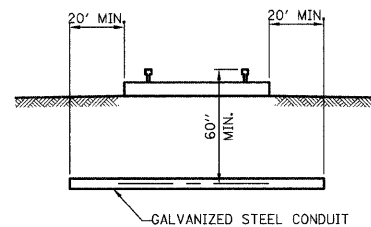
SECTION	COUNTY	TOTAL SHEETS	SHEET NO.
08-00053-00-LT	COOK/DUPAGE	15	15
ILLINOIS ROUTE 83 (BUSSE ROAD)			
LIGHTING DETAILS			



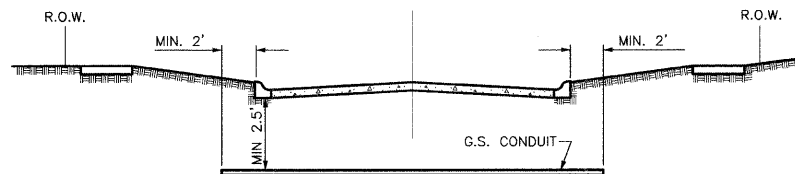
ROADWAY POLE HANDHOLE WIRING DIAGRAM



SEALING BUSHING DETAIL



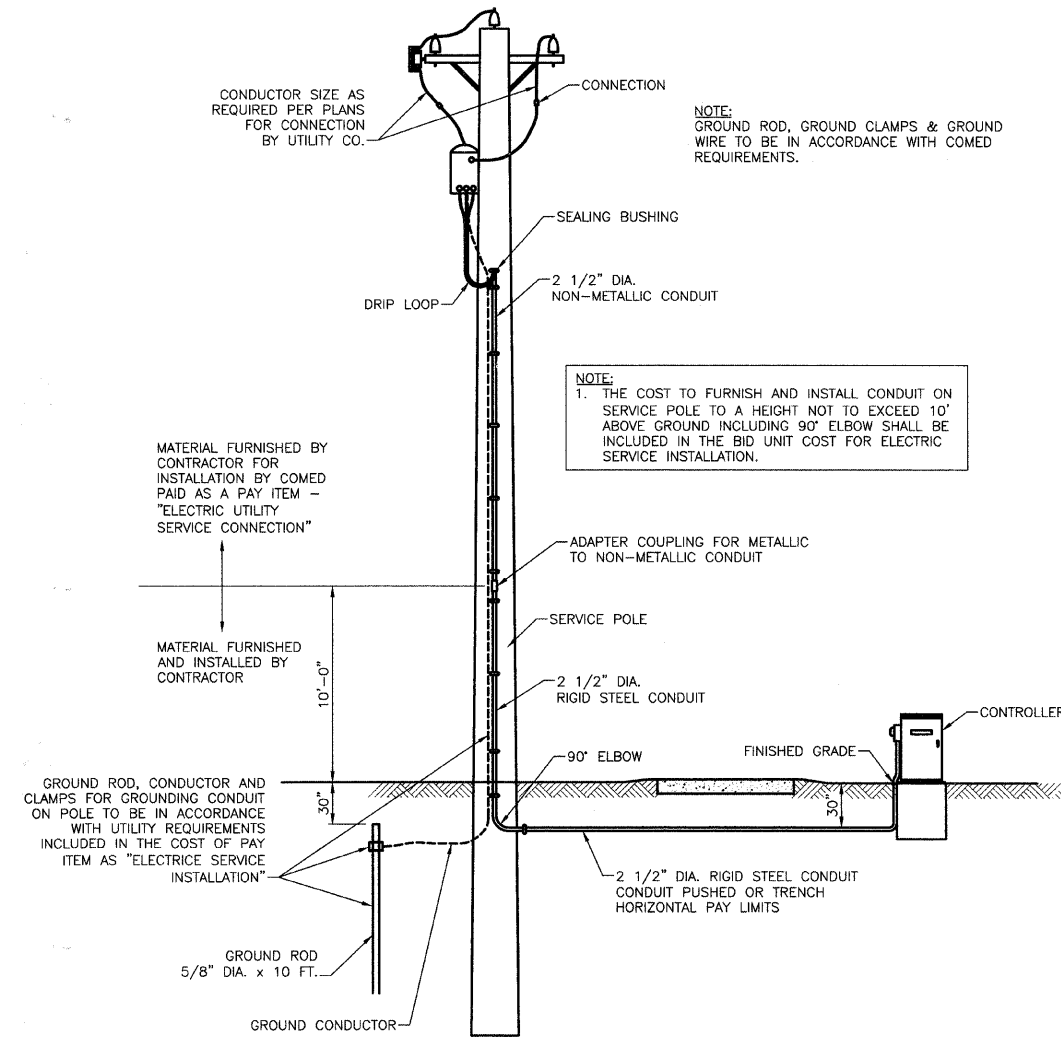
CONDUIT INSTALLATION UNDER RAILROAD TRACKS



STREET CROSSING

- CONDUIT SHALL BE HEAVY WALL RIGID G.S. CONDUIT.
- CONDUIT SHALL EXTEND A MINIMUM OF 2 FT. BEYOND BACK OF CURB.
- CONDUIT SHALL BE A MINIMUM OF 2.5 FT. BELOW BOTTOM OF CURB.

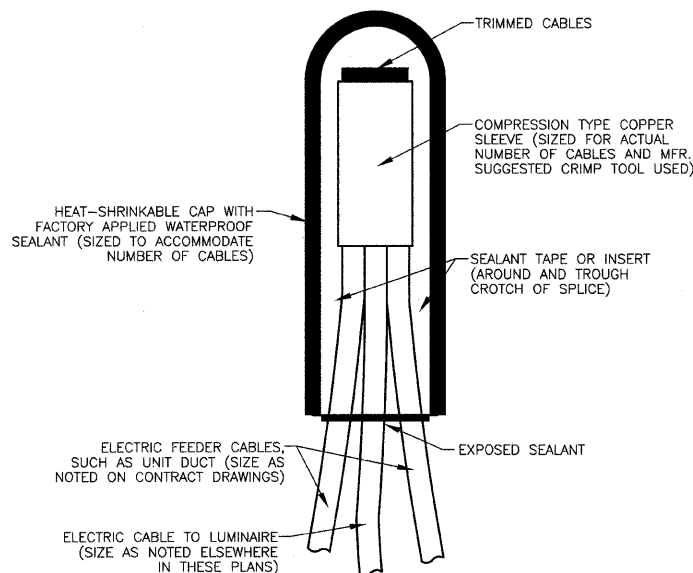
ELECTRICAL CONDUIT UNDER PAVEMENT



PROPOSED SERVICE INSTALLATION POLE TOP MOUNTED TRANSFORMER

NOTE:
GROUND ROD, GROUND CLAMPS & GROUND WIRE TO BE IN ACCORDANCE WITH COMED REQUIREMENTS.

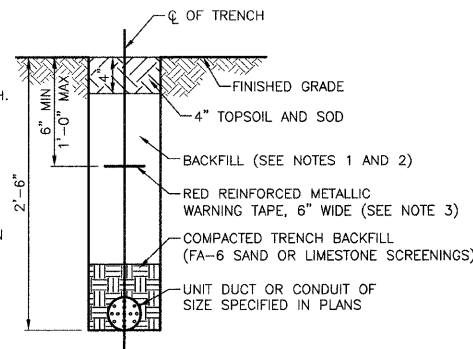
NOTE:
1. THE COST TO FURNISH AND INSTALL CONDUIT ON SERVICE POLE TO A HEIGHT NOT TO EXCEED 10' ABOVE GROUND INCLUDING 90° ELBOW SHALL BE INCLUDED IN THE BID UNIT COST FOR ELECTRIC SERVICE INSTALLATION.



NOTE: NUMBER OF CABLES IN SPLICE MAY VARY
SPlicing ELECTRIC Cables
BASIC MATERIALS AND METHODS

NOTES:

- IN GRASS COVERED AREAS, THE BACKFILL MAY BE COMPACTED EARTH.
- TRENCHES WITHIN 2' OF PROPOSED OR EXISTING STREETS, DRIVEWAYS, OR SIDEWALKS WILL BE BACKFILLED WITH COMPACTED FA-6 SAND OR LIMESTONE SCREENINGS.
- WARNING TAPE WILL BE RED WITH BLACK LETTERING TO READ "CAUTION - ELECTRIC LINE BURIED BELOW".
- ALL GRASS COVERED AREAS DISTURBED DURING CONSTRUCTION WILL BE RESTORED WITH 4" OF TOPSOIL AND SOD.



TYPICAL TRENCH CROSS SECTION

REVISIONS	
NAME	DATE

ILLINOIS DEPARTMENT OF TRANSPORTATION
ILLINOIS ROUTE 83
ROADWAY LIGHTING
LIGHTING DETAILS
ILLINOIS ROUTE 83
(BUSSE ROAD)

DATE: 05/14/2008
CHECKED BY: D.N.M.