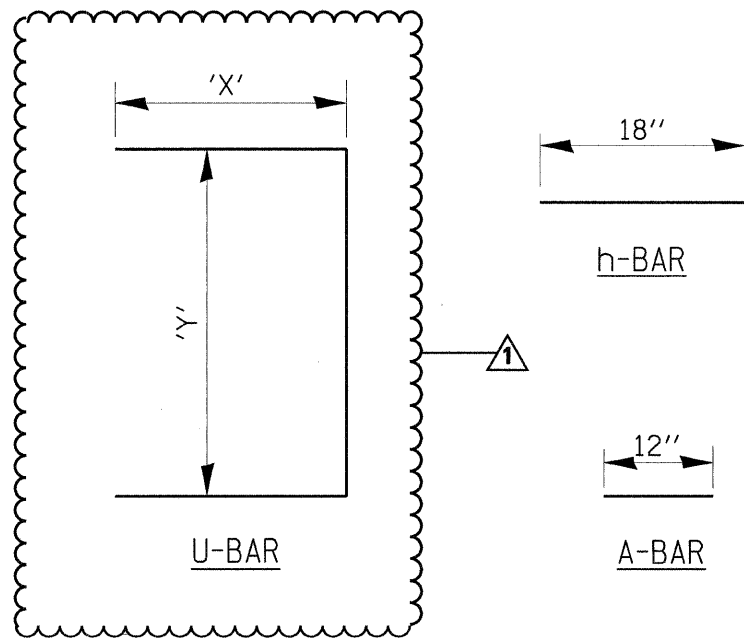
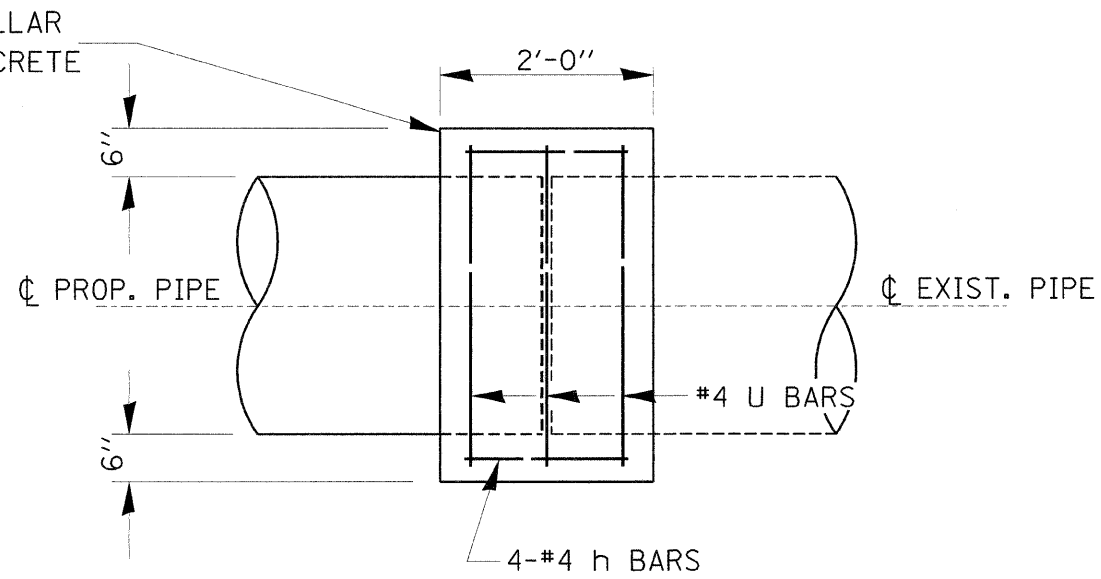
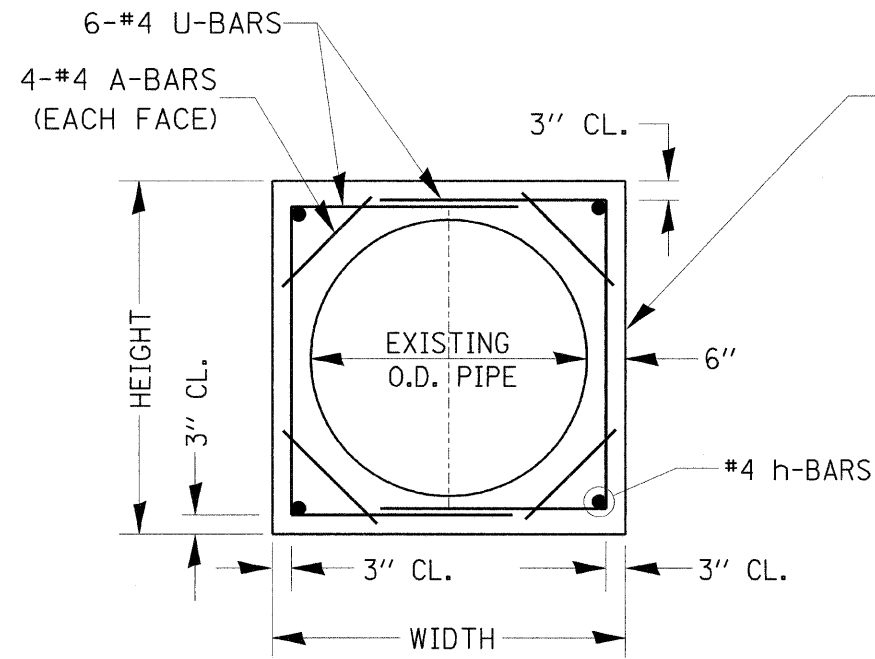


P. & SHE.	SECTION	COUNTY	TOTAL SHEETS	SHEET NO.
326	(111CS)W&RS-2,1	GRUNDY	85	56
STA. TO STA.		P.O. PROJ. NO.		



QUANTITY OF EACH SIZE COLLAR	EXISTING CULVERT SIZE INSIDE DIA.	EXTENSION COLLAR		A-BAR	U-BAR		h-BAR	CONC. COLLAR CU. YD.	REINFORCEMENT BARS POUND
		WIDTH IN.	HEIGHT IN.	12 IN.	'X' IN.	'Y' IN.	18 IN.		
21	12" I.D.	28	28	12	22	15	18	0.35	38__
4	18" I.D.	35	35	12	29	20	18	0.50	43__
5	24" I.D.	42	42	12	36	24	18	0.68	49__
		--	--	--	--	--	--	----	----
		--	--	--	--	--	--	----	----
		--	--	--	--	--	--	----	----

COLLAR DETAIL (DIRECT PIPE CULVERT EXTENSION)