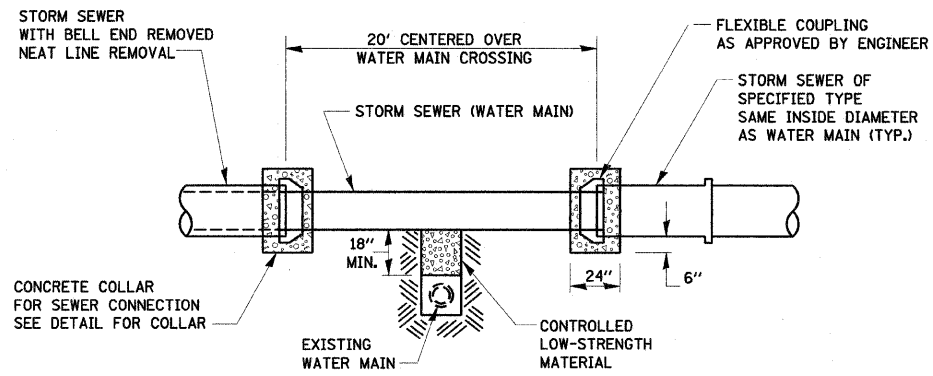
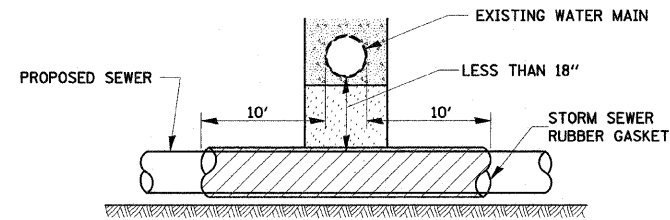


F. & M. NO.	SECTION	COUNTY	TOTAL SHEETS	SHEET NO.
326	(111CS)W&RS-2,1	GRUNDY	85	57
STA.	TO STA.			
FED. ROAD DIST. NO.	ILLINOIS	FED. AID PROJECT		

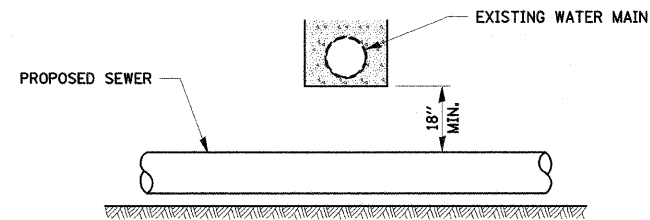


**STORM SEWER (WATER MAIN)
FOR WATER & SEWER SEPARATION
REQUIREMENTS**

POINT LOADS SHALL NOT BE ALLOWED BETWEEN SEWER OR SEWER CASING AND WATER MAIN
 PROVIDE ADEQUATE SUPPORT FOR EXISTING WATER MAIN TO PREVENT DAMAGE DUE TO SETTLEMENT OF SEWER TRENCH

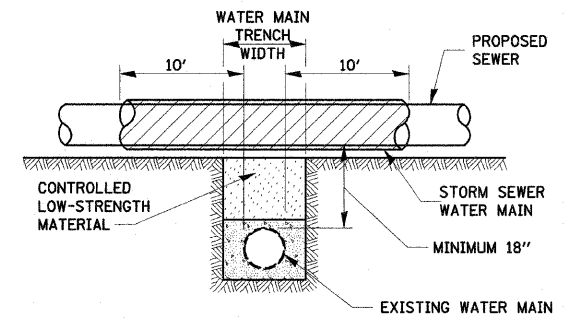


PROVIDE ADEQUATE SUPPORT FOR EXISTING WATER MAIN TO PREVENT DAMAGE DUE TO SETTLEMENT OF SEWER TRENCH
 MAINTAIN 18" MINIMUM VERTICAL SEPARATION FOR 10' HORIZONTALLY

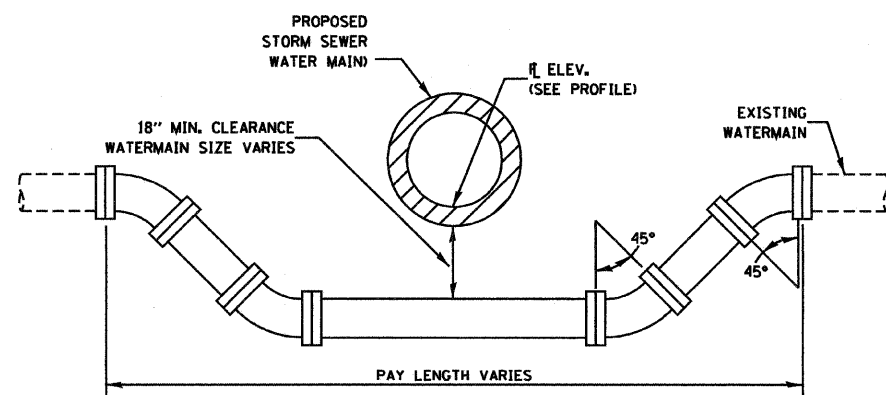


**PROPOSED SEWER LINE
BELOW EXISTING WATER MAIN**

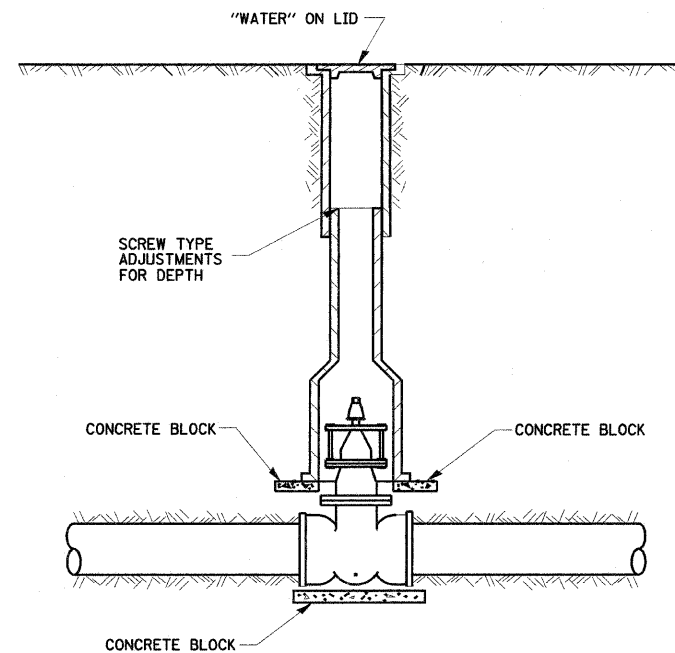
PROVIDE ADEQUATE SUPPORT FOR SEWER TO PREVENT SETTLING AND BREAKING THE WATER MAIN.



**PROPOSED SEWER LINE WITH MINIMUM
18" VERTICAL SEPARATION ABOVE
EXISTING WATER MAIN**



ADJUSTING WATERMAIN DETAIL



TYPICAL VALVE BOX INSTALLATION

REVISIONS	
NAME	DATE

ILLINOIS DEPARTMENT OF TRANSPORTATION
 DISTRICT DETAILS
 IL ROUTE 47
 GRUNDY COUNTY
 SCALE: VERT. _____
 DATE _____ HORIZ. _____
 DRAWN BY _____
 CHECKED BY _____

REVIS 9-02-08, MJ