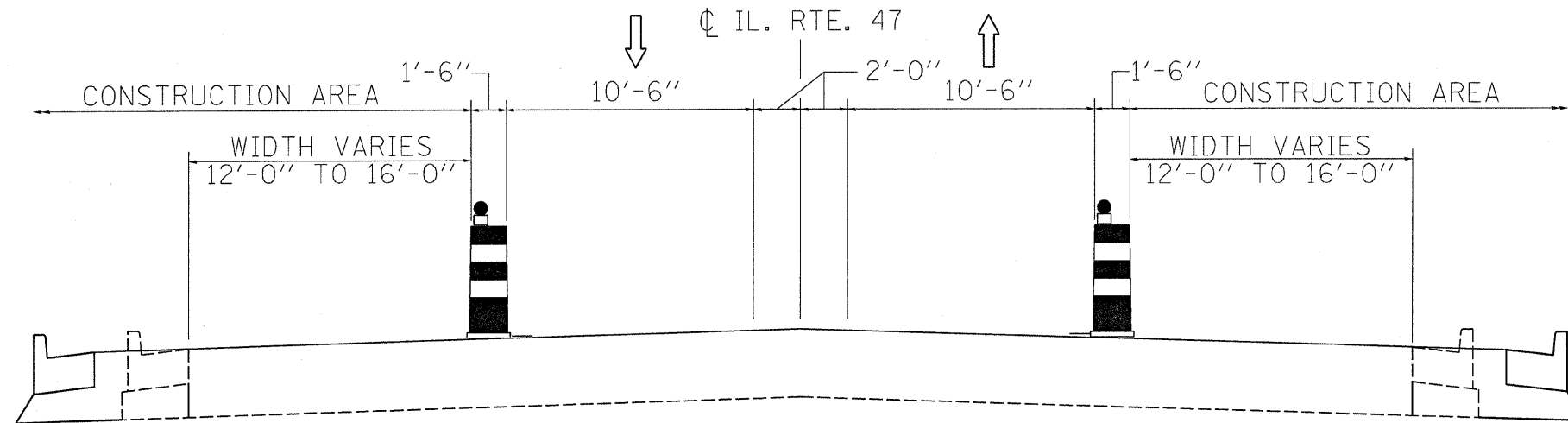
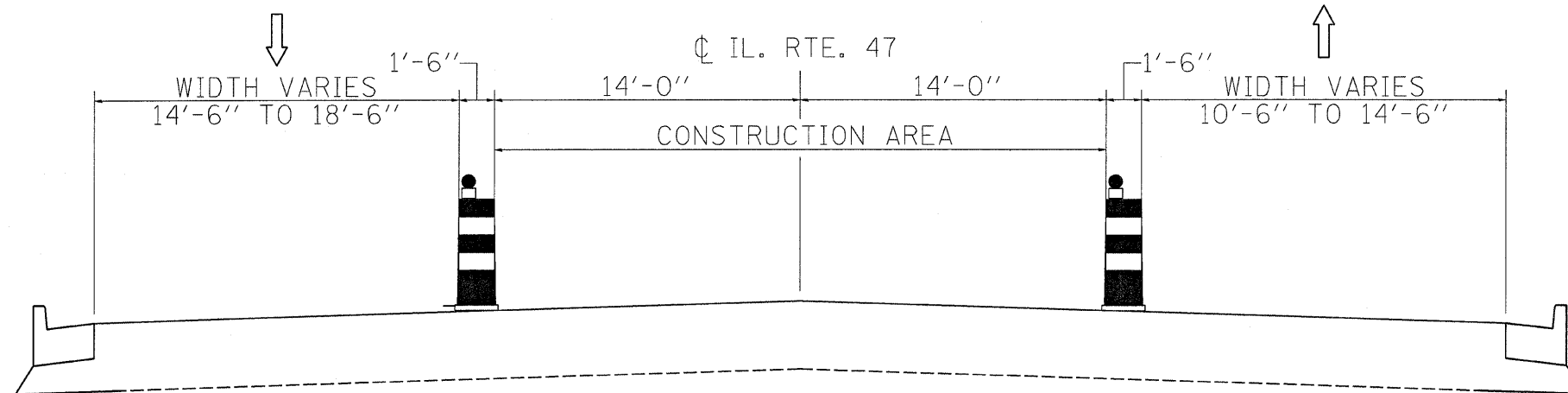


F.A.P. RTE.	SECTION	COUNTY	TOTAL SHEETS	SHEET NO.
326	(111CS) W&RS-21	GRUNDY	85	28
STA.		TO STA.		
FED. ROAD DIST. NO.		ILLINOIS FED. AID PROJECT		



STAGE I



STAGE II

WORK ITEMS

PRE-STAGE (NOT SHOWN)

1. REMOVE EXISTING STORM SEWER SYSTEMS AND CONSTRUCT PROPOSED INLETS, CATCH BASINS, AND STORM SEWER SYSTEMS.
2. COMPLETE PAVEMENT PATCHING FOR TRENCHES PRIOR TO OPENING LANES TO TRAFFIC.

STAGE I

1. CLOSE EAST AND WEST OUTSIDE LANES OF IL 47 AS SHOWN ON THE CROSS SECTION.
2. REMOVE EXISTING CURB AND GUTTER, ISLANDS, AND SIDEWALK.
3. CONSTRUCT COMBINATION CURB & GUTTER AND ISLANDS. INSTALL NEW TRAFFIC SIGNALS. FINISH SIDE GRADING.
4. CONSTRUCT PAVEMENT WIDENING (UP TO LEVELING BINDER).
5. CONSTRUCT SIDE ENTRANCES AND SIDEWALK.

STAGE II

1. CLOSE EAST AND WEST INSIDE LANES OF IL 47 AS SHOWN ON THE CROSS SECTION.
2. REMOVE RAISED MEDIAN WHERE APPLICABLE.
3. MILL EXISTING PAVEMENT.

STAGE III (NOT SHOWN)

1. MILL EXISTING SURFACE COURSE FROM LIMIT TO STA. 10+56.4 TO STA. 31+10.0, INCLUDING ALL SIDE ROADS.
2. FINISH SURFACE COURSE.
3. APPLY PAVEMENT MARKINGS AND INSTALL RAISED REFLECTIVE PAVEMENT MARKERS.

MAINTENANCE OF TRAFFIC - GENERAL NOTES

1. PRIOR TO BEGINNING ANY CONSTRUCTION, THE CONTRACTOR SHALL BE REQUIRED TO ATTEND A MEETING, ARRANGED BY THE RESIDENT ENGINEER TO ASCERTAIN THE MAINTENANCE OF TRAFFIC PLAN AND ANY IMMEDIATE CHANGES NECESSARY. IF AN ALTERNATE TRAFFIC PATTERN IS REQUIRED WITHIN THIS CONTRACT, THE CONTRACTOR SHALL SUBMIT MOT DEVIANCE PLAN FOR APPROVAL BY IDOT DISTRICT 3.
2. ACCESS TO SIDEROADS SHALL BE MAINTAINED WITH MINIMUM CLOSURE, AND SHALL BE OPEN TO TRAFFIC AT THE END OF EACH WORKING DAY. CLOSURE OF SIDEROADS SHALL BE IN AN ALTERNATIVE PATTERN. NO ADJACENT SIDEROADS SHALL BE CLOSED AT THE SAME TIME.
3. ACCESS TO COMMERCIAL & PRIVATE ENTRANCES SHALL BE MAINTAINED AT ALL TIMES.
4. DURING NON-WORKING HOURS, ALL TRAFFIC LANES SHALL BE OPEN TO TRAFFIC
5. EMERGENCY ACCESS TO MAINLINES, SIDEROADS & ENTRANCES SHALL BE PROVIDED AT ALL TIMES.
6. AT ALL TIMES, WITHOUT ANY METHODS OF MAINTENANCE OF TRAFFIC, NO VEHICLES, EQUIPMENT, WORKERS OR THEIR ACTIVITIES SHOULD BE LESS THAN 15' FROM THE EDGE OF PAVEMENT.
7. FOR THE PRE-STAGE AND STAGE 3 NOT SHOWN BY THE CROSS SECTIONS, APPLY TRAFFIC CONTROL STANDARD 701602, 701606, AND 701701
8. SIDE ROAD TRAFFIC CONTROL SHALL BE IN ACCORDANCE WITH STANDARD 701701 EXCEPT AN ARROW BOARD WILL NOT BE REQUIRED WHEN THE SIDEROAD HAS TWO LANES.
9. DURING STAGE 1, MORE THAN 1 LANE CLOSURE AT A TIME ON IL 47 SHALL NOT BE ALLOWED EXCEPT WITH THE WRITTEN APPROVAL OF THE ENGINEER.

REVISIONS	
NAME	DATE

ILLINOIS DEPARTMENT OF TRANSPORTATION

STAGING PLANS
IL ROUTE 47
GRUNDY COUNTY

SCALE: NTS
DATE: 08/2007

DRAWN BY: KHH
CHECKED BY: FML

PLOT DATE = Feb 06, 2008 - 09:36:45 AM
FILE NAME = c:\p\projects\1085802\consult\phase 2\staging\staging.dgn
PLOT SCALE = 28.000 / IN.
USER NAME = schwenberg