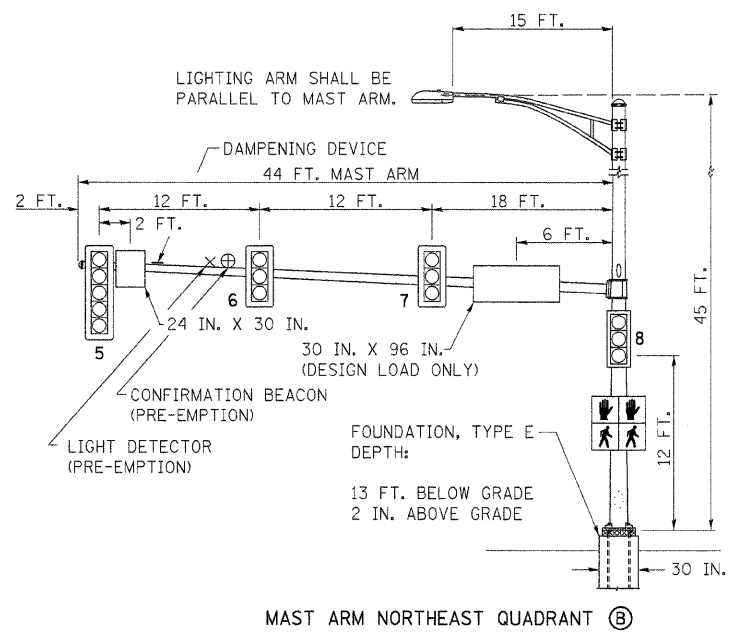
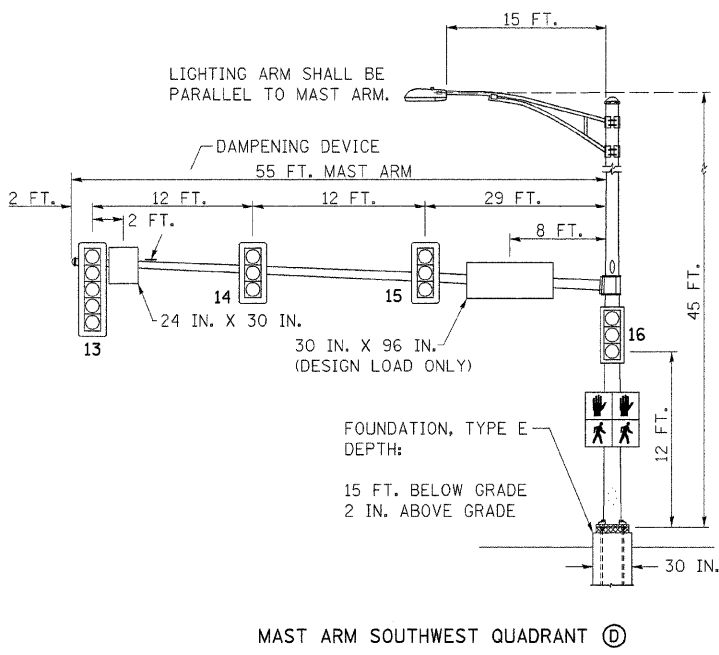


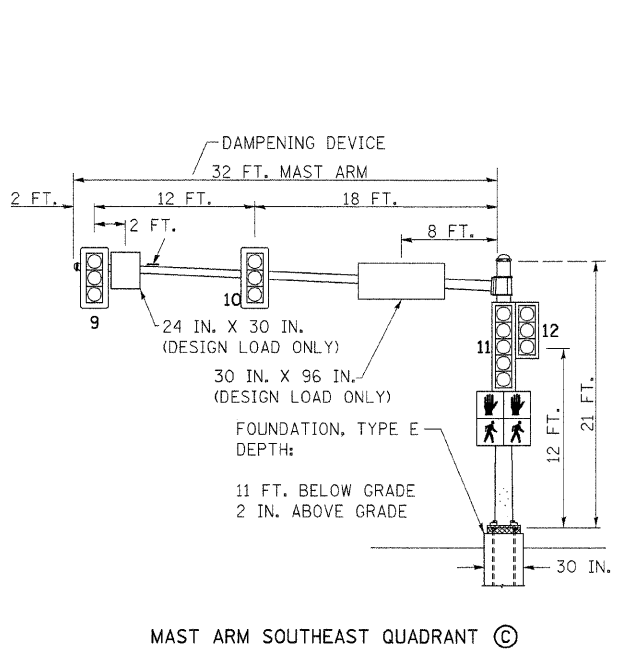
MAST ARM NORTHWEST QUADRANT (A)



MAST ARM NORTHEAST QUADRANT (B)



MAST ARM SOUTHWEST QUADRANT (D)



MAST ARM SOUTHEAST QUADRANT (C)

ELECTRICAL LOAD CHART

IL ROUTE 47

INDICATION	NUMBER	WATTAGE EACH	BURN TIME (%)
RED	10	12	60
YELLOW	10	32	5
GREEN	10	12	35
YELLOW ARROW	4	12	5
GREEN ARROW	4	11	10
↓	4	7	5
↓	4	7	95

NORTH STREET

RED	10	12	70
YELLOW	10	32	5
GREEN	10	12	25
↓	4	7	5
↓	4	7	95

TRAFFIC SIGNAL CABINET

ITEM	NUMBER	WATTAGE EACH	BURN TIME (%)
CONTROLLER	2	6	100
INDUCTIVE LOOP DETECTOR UNINTERRUPTABLE	10	1.5	100
POWER SUPPLY	1	50	100
LIGHT DETECTOR AMPLIFIER	1	1.5	100

HIGHWAY LIGHTING

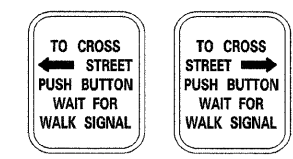
ITEM	NUMBER	WATTAGE EACH	BURN TIME (%)
CONTROLLER	1	6	100
LUMINAIRE	2	250	45

NOTES:
WORD "GRADE" IS TO BE INTERPRETED AS TOP OF CURB, TOP OF FOUNDATION SHALL NOT BE EXPOSED MORE THAN 4 IN. ABOVE THE SURROUNDING GROUND.

DETECTOR LOOP INDUCTANCE CHART

DETECTOR LOOP SYSTEM	TURNS PER LOOP	INDUCTANCE READING (MICROHENRIES)	FREQUENCY (HERTZ)	J PIN STATUS
A	4	282	36344	OFF
B	5	268	30205	ON
C	4	382	31227	ON
D	4	680	29570	OFF
E	4	404	30365	ON
F	4	326	33802	OFF
G	5	290	35833	ON
H	4	470	28152	ON
I	4	884	38295	OFF
J	4	382	31227	ON

PEDESTRIAN CROSSING SIGN DETAIL



R10-4a LEFT OR RIGHT
8 REQUIRED

DIMENSIONS: 9 IN. x 12 IN. (TYP.)
LEGEND AND BORDER: NON-REFLECTORIZED BLACK
BACKGROUND: NON-REFLECTORIZED WHITE

ONE SIGN SHALL BE PROVIDED FOR EACH PUSH-BUTTON. ORIENTATION OF DIRECTIONAL ARROWS TO BE DETERMINED BY PUSH-BUTTON LOCATION.

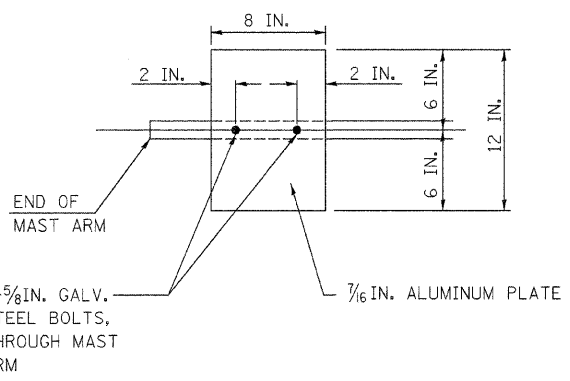
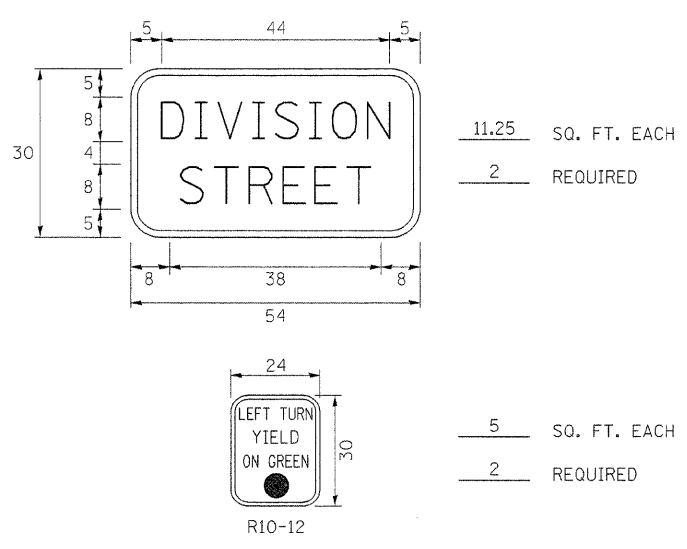
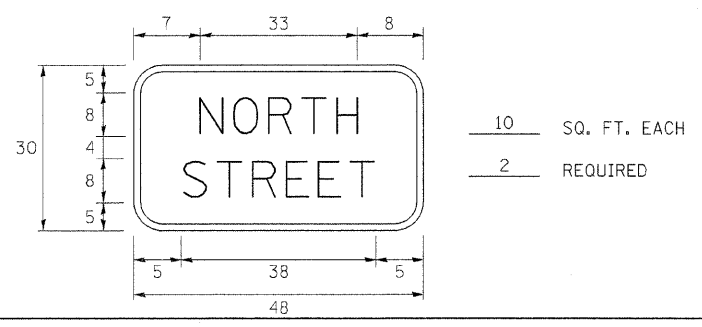
ALL MOUNTING HARDWARE SHALL BE STAINLESS STEEL CONSTRUCTION. ALL MOUNTING BOLTS SHALL BE HEX HEAD.

MATERIALS AND INSTALLATION OF THIS SIGN SHALL BE INCLUDED IN THE COST OF PEDESTRIAN PUSH-BUTTON.

STREET SIGN DETAIL

THESE STREET NAME SIGNS SHALL BE PLACED ON THE MAST ARMS PARALLEL TO THE RESPECTIVE ROUTE AS DIRECTED BY THE ENGINEER.

- STREET NAME SIGNS:
1. TYPE A SHEETING REQUIRED
2. WHITE/GREEN BACKGROUND
3. STYLE (d) - 5/8 IN. BORDER
4. 8 IN. SERIES D LETTERS
5. ALL DIMENSIONS ARE IN INCHES UNLESS OTHERWISE SHOWN



DAMPENING PLATE DETAIL
(TOP VIEW) INCIDENTAL TO MAST ARM QUANTITY

REVISIONS	
NAME	DATE

ILLINOIS DEPARTMENT OF TRANSPORTATION
MAST ARM LOADING DIAGRAM
ELECTRICAL LOAD CHART
SIGN DETAILS
IL. 47 (DIVISION ST.) / NORTH STREET
SCALE: NONE
DATE: JANUARY 2008
DRAWN BY: JVR
CHECKED BY: FML