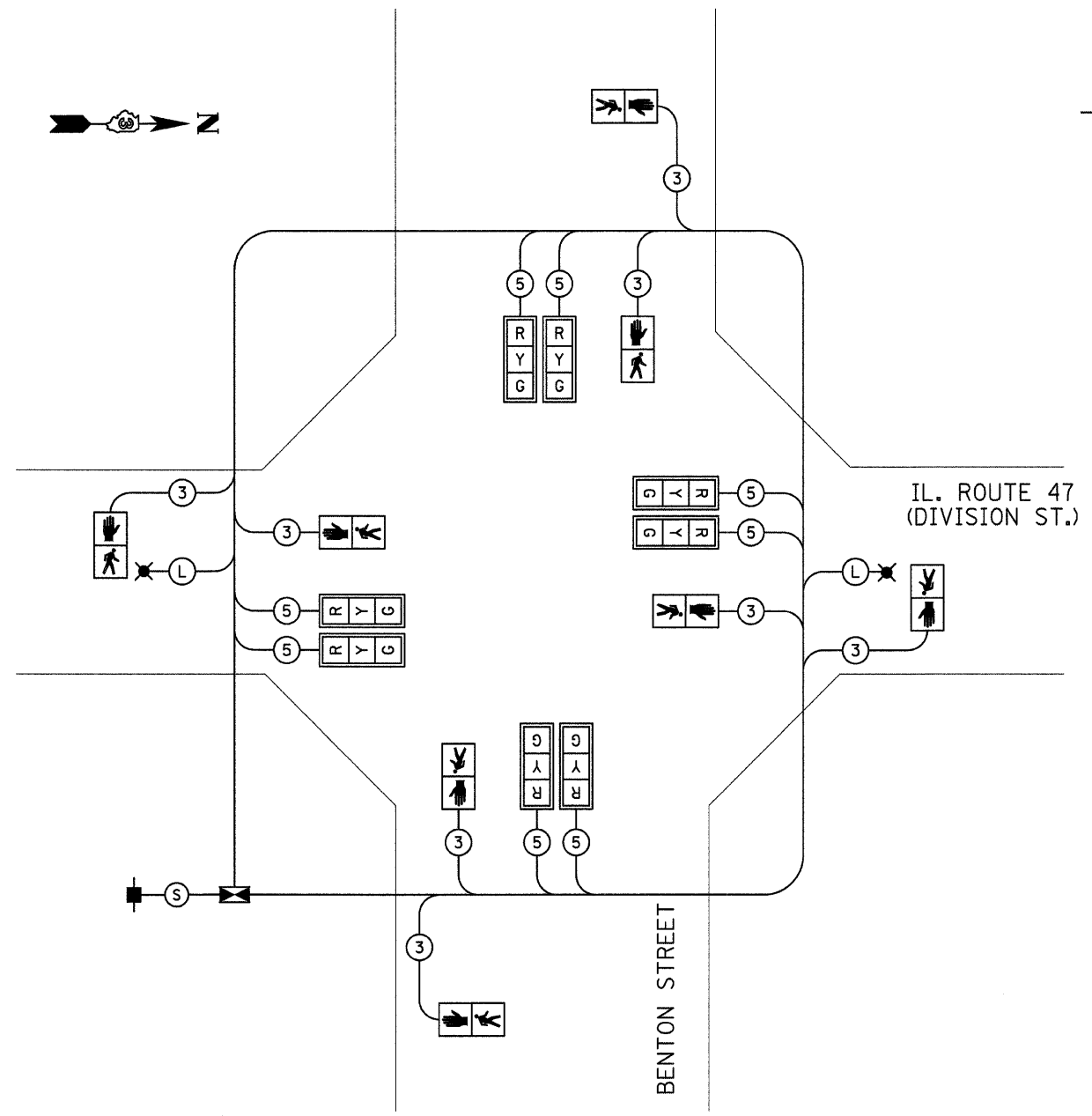


**TEMPORARY CABLE DIAGRAM LEGEND**

- TEMPORARY CONTROLLER
- TEMPORARY SERVICE INSTALLATION
- TEMPORARY TRAFFIC SIGNAL HEAD W/ BACKPLATE
- DENOTES NUMBER OF CONDUCTORS
- TEMPORARY PEDESTRIAN SIGNAL HEAD
- TEMPORARY LUMINAIRE, SODIUM VAPOR, 250 WATT



- (S) **SERVICE CABLE**  
ELECTRIC CABLE IN CONDUIT, SERVICE, NO.6 3C
- (L) **LIGHTING CABLE**  
600V (XLP-TYPE USE) 3 - 1/C NO.10

**REMOVE EXISTING TRAFFIC SIGNAL EQUIPMENT 1 EACH**

THE FOLLOWING TRAFFIC SIGNAL EQUIPMENT SHALL BE REMOVED AND DELIVERED BY THE CONTRACTOR TO THE CITY OF MORRIS, IF IT IS NOT BEING USED FOR TEMPORARY TRAFFIC SIGNAL INSTALLATION.

- 1 EACH CONTROLLER AND CABINET COMPLETE
- 2 EACH MAST ARM ASSEMBLY AND POLE
- 12 EACH SIGNAL HEAD
- 8 EACH PEDESTRIAN SIGNAL HEAD

THE FOLLOWING ITEMS SHALL BE REMOVED AND DISPOSED OF BY THE CONTRACTOR OFF THE RIGHT-OF-WAY. THE SALVAGE VALUE OF THIS EQUIPMENT SHALL BE REFLECTED IN THE UNIT BID PRICE OF REMOVE EXISTING TRAFFIC SIGNAL EQUIPMENT.

- 1 EACH SERVICE INSTALLATION
- 6 EACH TRAFFIC SIGNAL POST
- 2 EACH PEDESTRIAN PUSH BUTTON POST
- ALL WIRES

**SCHEDULE OF REMOVAL ITEMS**

ITEM	UNIT	QUANTITIES
REMOVE EXISTING CONCRETE FOUNDATION	EACH	11
REMOVE EXISTING HANDHOLE	EACH	7

**TEMPORARY CABLE DIAGRAM**

REVISIONS		ILLINOIS DEPARTMENT OF TRANSPORTATION
NAME	DATE	
		<p>PROPOSED TEMPORARY CABLE DIAGRAM  IL. 47 (DIVISION ST.) / BENTON ST.</p> <p>SCALE: NONE  DATE: JANUARY 2008</p> <p>DRAWN BY: JVR  CHECKED BY: FML</p>