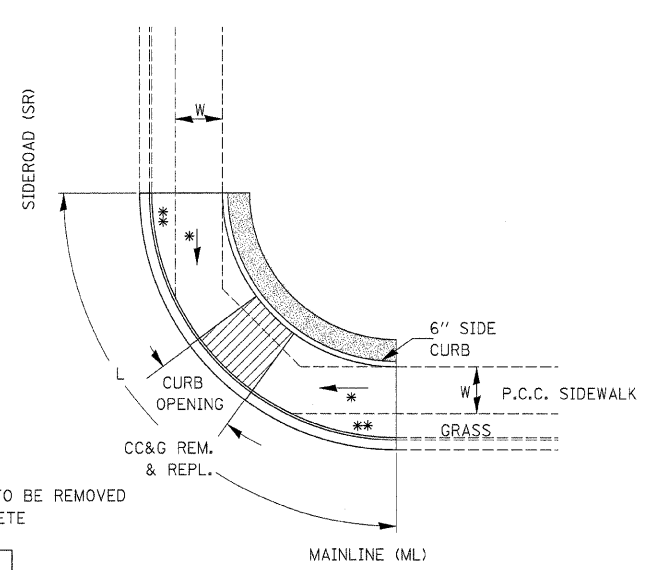


F.A.P. RTE.	SECTION	COUNTY	TOTAL SHEETS	SHEET NO.
326	(111CS) W&RS-21	GRUNDY	85	55
STA.		TO STA.		
FED. ROAD DIST. NO.		ILLINOIS FED. AID PROJECT		



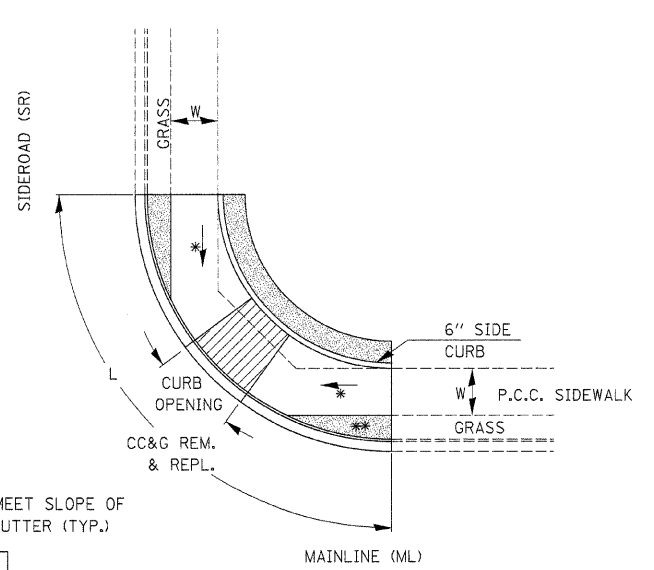
** AREA OF EXISTING GRASS TO BE REMOVED AND REPLACED WITH CONCRETE

LEGEND

	SLOPE = 2%
*	SLOPE = 1:12 MAX.

METHOD 6

424-24
ADA SIDEWALK ACCESSIBILITY RAMPS



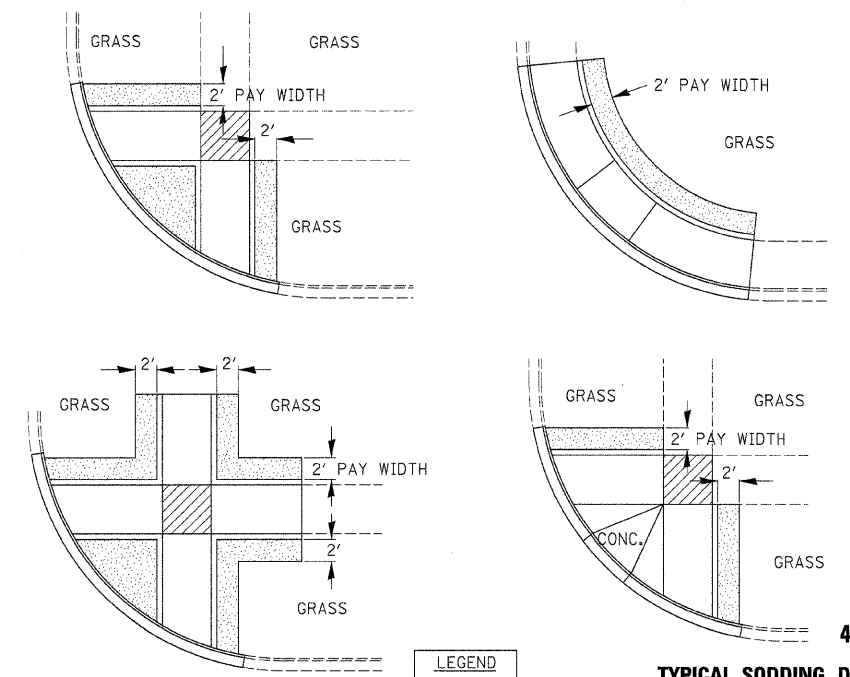
** SOD TO BE SLOPED TO MEET SLOPE OF SIDEWALK AND CURB & GUTTER (TYP.)

LEGEND

	SLOPE = 2%
*	SLOPE = 1:12 MAX.

METHOD 6

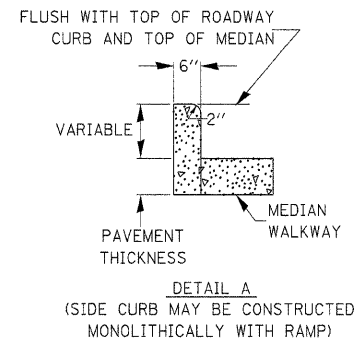
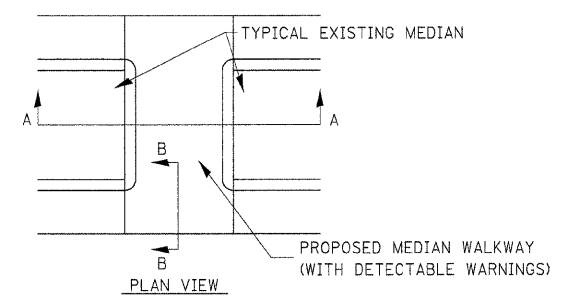
424-25
ADA SIDEWALK ACCESSIBILITY RAMPS



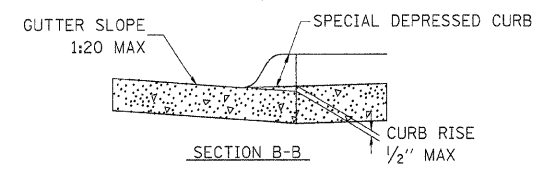
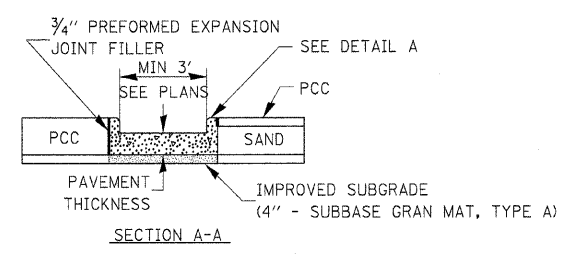
LEGEND

	SOD
--	-----

424-26
TYPICAL SODDING DETAILS FOR SIDEWALK RAMPS

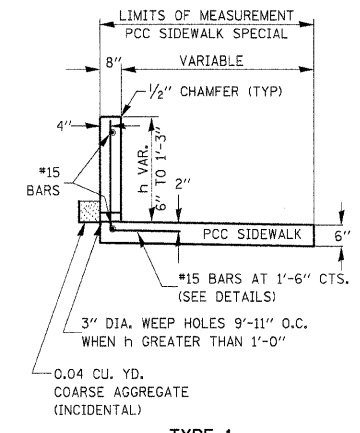


DETAIL A
(SIDE CURB MAY BE CONSTRUCTED MONOLITHICALLY WITH RAMP)

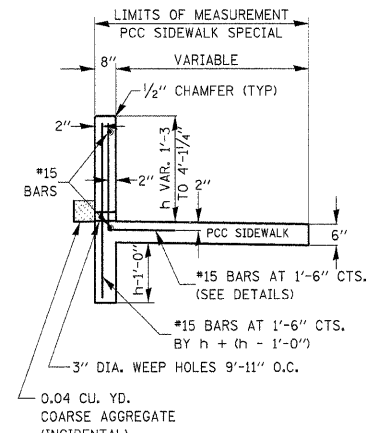


424-27

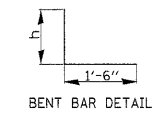
CONCRETE MEDIAN DETAIL FOR SIDEWALK RAMP



TYPE 1



TYPE 2



PCC SIDEWALK SPECIAL WITH RETAINING WALL

424-28

REVISIONS	
NAME	DATE

ILLINOIS DEPARTMENT OF TRANSPORTATION
DISTRICT DETAILS
IL ROUTE 47
GRUNDY COUNTY

SCALE: NTS
DATE: 09/2007

DRAWN BY: KHH
CHECKED BY: FML

PLOT DATE = #DATE#
FILE NAME = #FILE#
USER NAME = #USER#