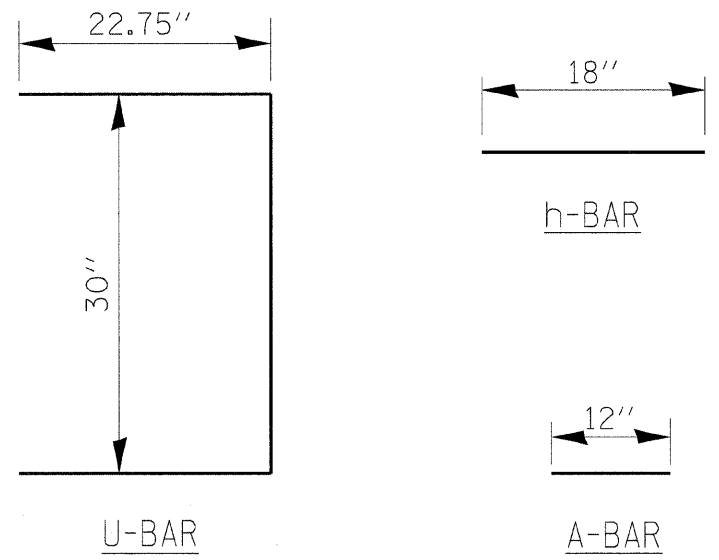
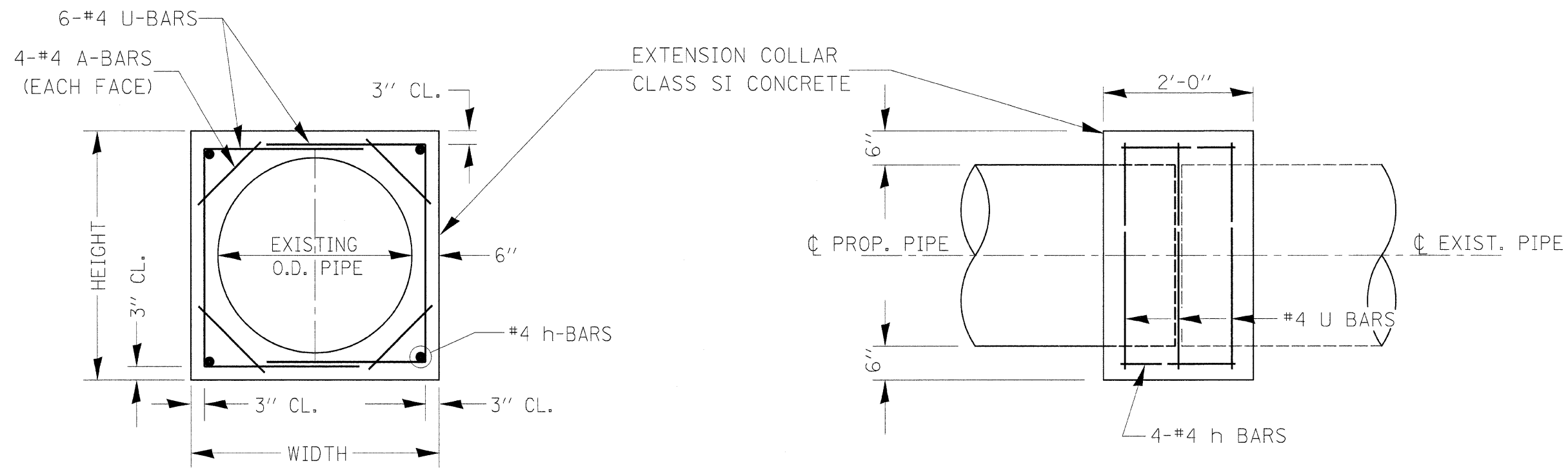


F.A.P. RTE.	SECTION	COUNTY	TOTAL SHEETS	SHEET NO.
326	(IICS) W&RS-21	GRUNDY	85	56
STA. _____		TO STA. _____		
FED. ROAD DIST. NO. _____		ILLINOIS FED. AID PROJECT		



LOCATION	EXISTING CULVERT SIZE	EXTENSION COLLAR		A-BAR	U-BAR		h-BAR	CONC. COLLAR	REINFORCEMENT BARS
		WIDTH	HEIGHT	12	22.75	30.0	18	CU. YD.	POUND
14+88 LT.	12" DIA.	36"	36"	96"	273"	180"	72"	0.6667	34.6
16+31 LT.	12" DIA.	36"	36"	96"	273"	180"	72"	0.6667	34.6
19+00 LT.	12" DIA.	36"	36"	96"	273"	180"	72"	0.6667	34.6
22+99 RT.	12" DIA.	36"	36"	96"	273"	180"	72"	0.6667	34.6
23+00 LT.	12" DIA.	36"	36"	96"	273"	180"	72"	0.6667	34.6

COLLAR DETAIL (DIRECT PIPE CULVERT EXTENSION)

542-3

DEC. 2000
 \DETAILS\500599.DGN
 542-1, 542-2, 542-3