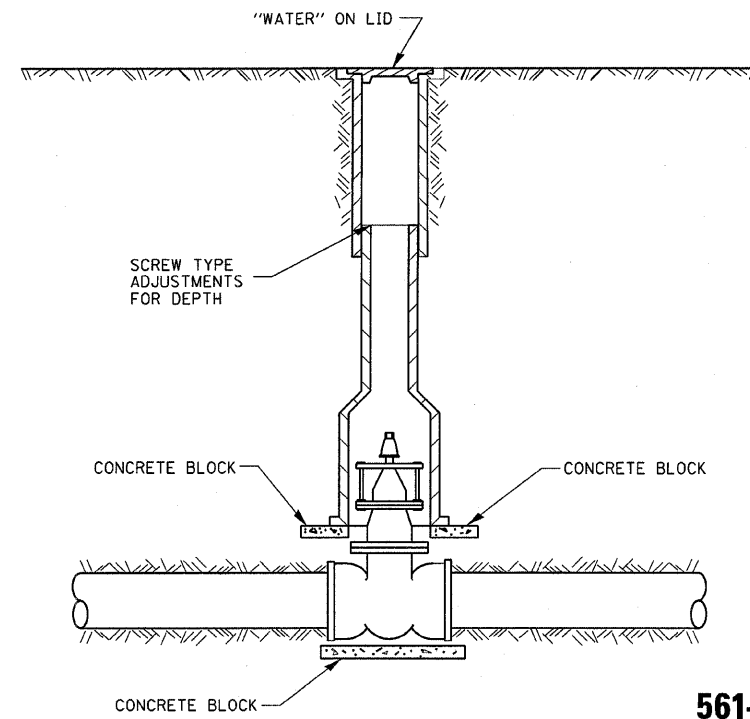
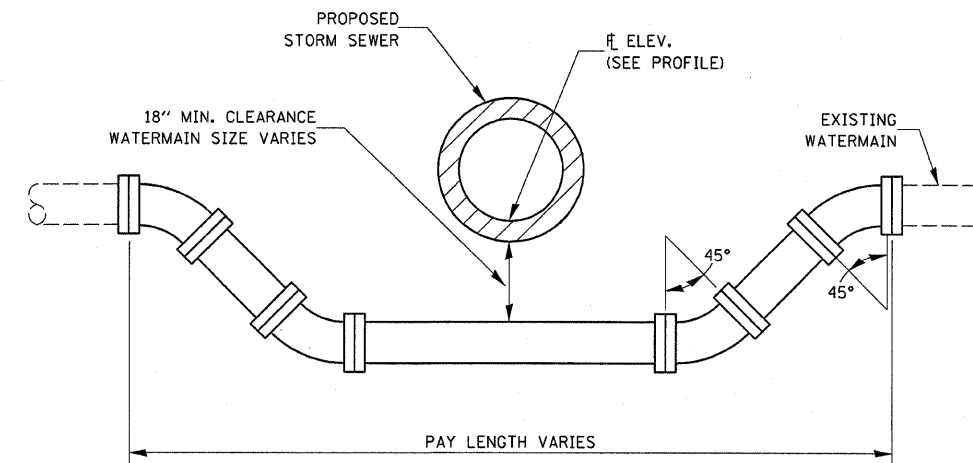


F.A.P. RTE.	SECTION	COUNTY	TOTAL SHEETS	SHEET NO.
326	(111CS) W&R5-21	GRUNDY	85	57
STA.		TO STA.		
FED. ROAD DIST. NO.		ILLINOIS FED. AID PROJECT		



561-3

TYPICAL
VALVE BOX
INSTALLATION



ADJUSTING WATERMAIN DETAIL

561-7

REVISIONS	
NAME	DATE

ILLINOIS DEPARTMENT OF TRANSPORTATION

DISTRICT DETAILS
IL ROUTE 47
GRUNDY COUNTY

SCALE: NTS
DATE: 09/2007

DRAWN BY: KHH
CHECKED BY: FML

PLOT DATE = Feb 06, 2008 - 10:28:21 AM
PLOT SCALE = 20.000' / 1" IN.
USER NAME = schwenberg