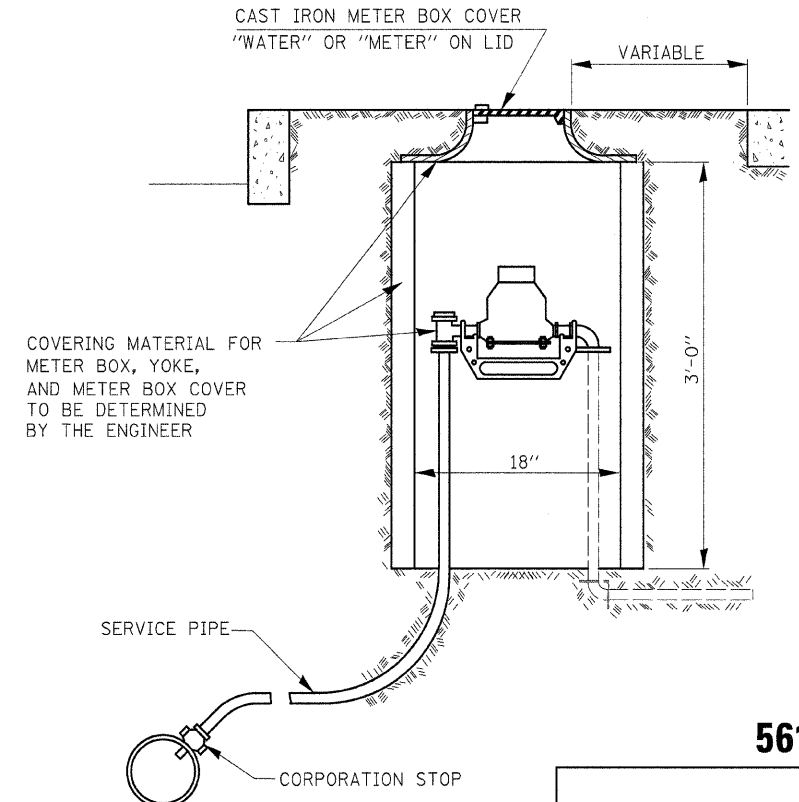
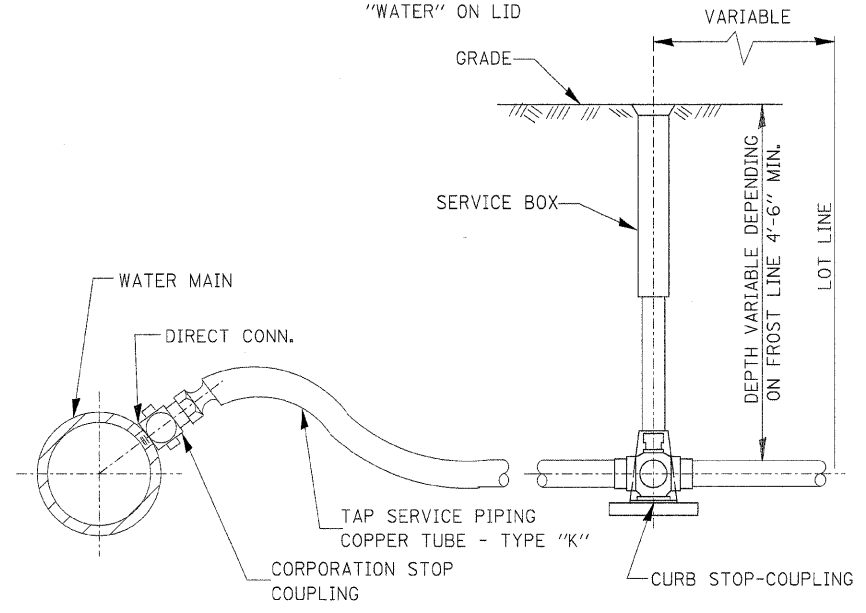


F.A.P. RTE.	SECTION	COUNTY	TOTAL SHEETS	SHEET NO.
326	(111CS) W&RS-21	GRUNDY	85	59
STA.		TO STA.		
FED. ROAD DIST. NO.		ILLINOIS FED. AID PROJECT		



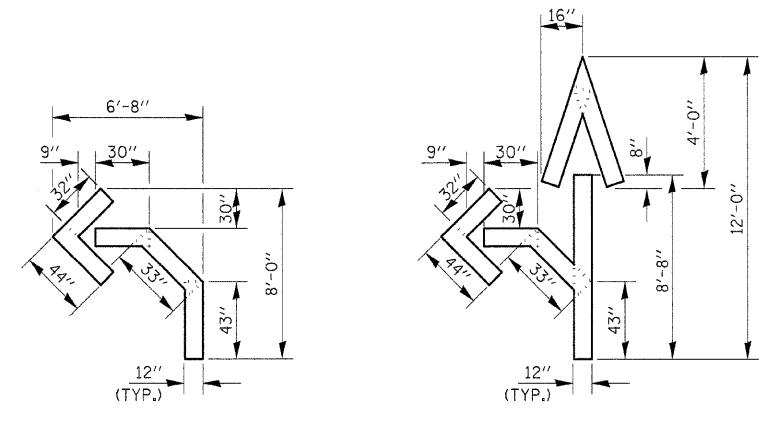
561-2

TYPICAL SINGLE METER BOX INSTALLATION



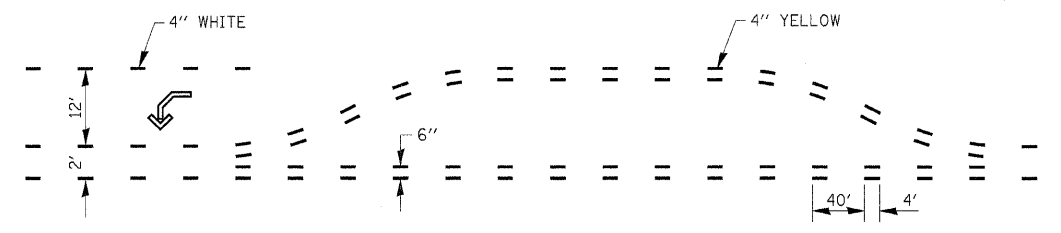
562-1

TYPICAL TAP SERVICE PIPING (COPPER)



QUANTITY  
12" LINE = 16 LIN. FT.  
OR 4" LINE = 48 LIN. FT.

QUANTITY  
12" LINE = 29 LIN. FT.  
OR 4" LINE = 87 LIN. FT.



**SHORT-TERM PAVEMENT MARKING FOR MEDIANS AND ARROWS**

703-1

REVISIONS	
NAME	DATE

ILLINOIS DEPARTMENT OF TRANSPORTATION  
DISTRICT DETAILS  
IL ROUTE 47  
GRUNDY COUNTY  
SCALE: NTS  
DATE: 09/2008  
DRAWN BY: KHH  
CHECKED BY: FML

\\district\details\shets.dgn 1/29/2008 10:59:23 PM