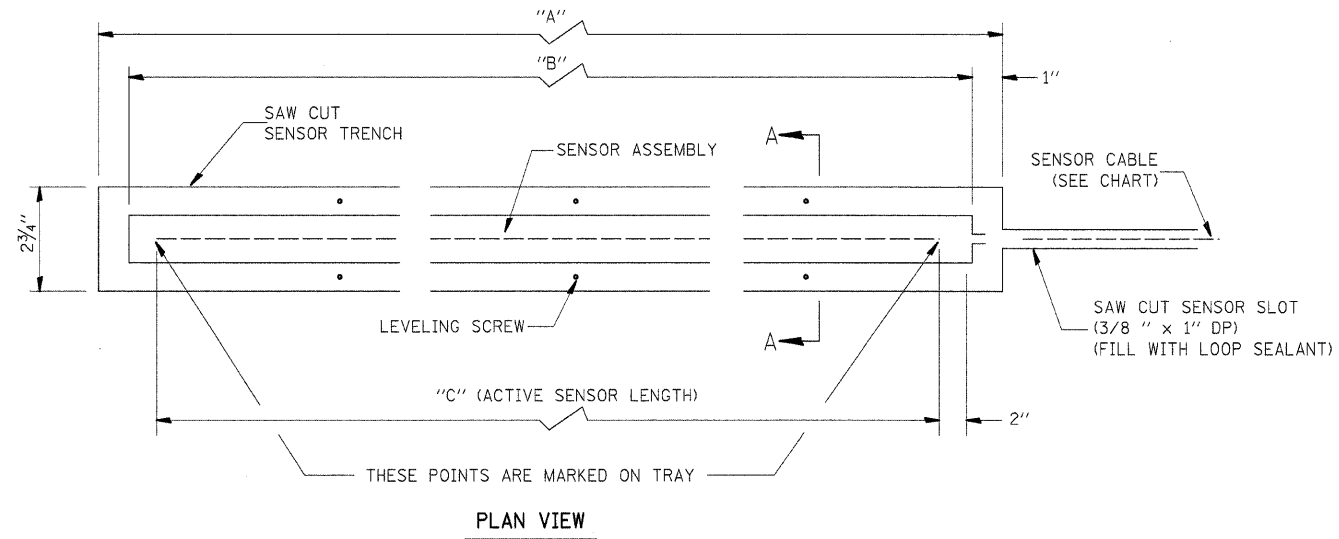
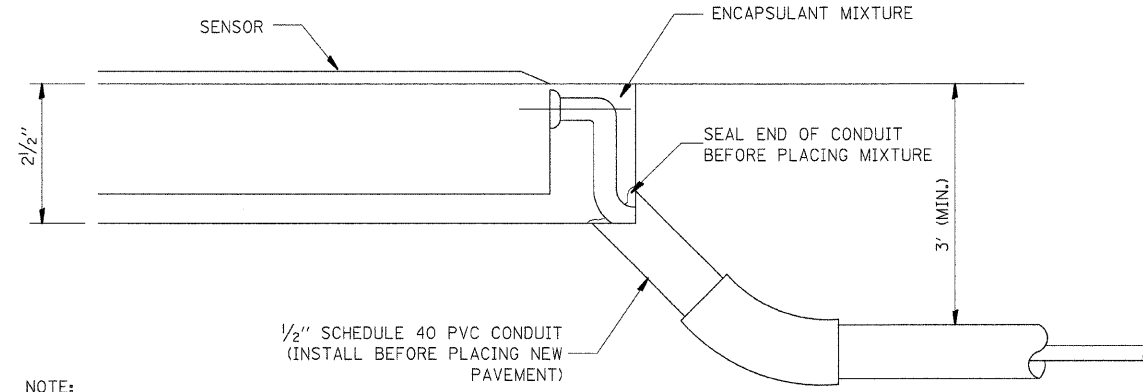
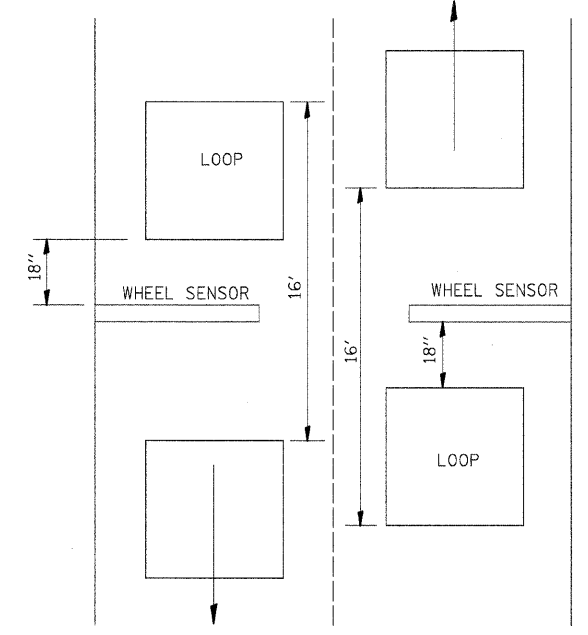
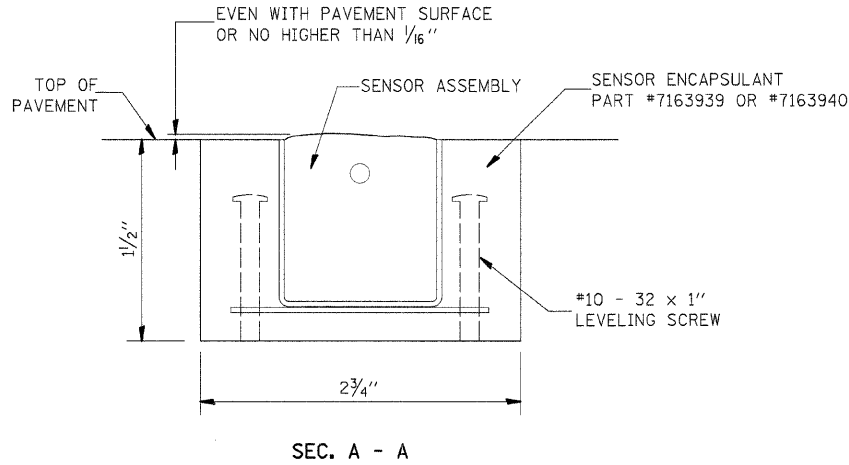


F.A.P. RTE.	SECTION	COUNTY	TOTAL SHEETS	SHEET NO.
326	(111CS) W&RS-2I	GRUNDY	85	62
STA.		TO STA.		
FED. ROAD DIST. NO. _ ILLINOIS FED. AID PROJECT				



GENERAL NOTE:
 THIS WORK SHALL CONSIST OF THE REMOVAL AND REPLACEMENT OF DETECTOR LOOPS AND AXLE DETECTORS (PIEZOCABLE SENSOR). THE DETECTOR LOOPS AND AXLE DETECTORS SHALL BE REMOVED WITH THEIR ELECTRIC CABLE ALL THE WAY TO THE EXISTING CABINET CONNECTION, AND REPLACED IN THE SAME MANNER USING THE EXISTING CONDUIT, HANDHOLE, AND GULFBOX JUNCTION.



NOTE:
 THIS ARRANGEMENT CAN BE USED ONLY WITH NEW PAVEMENT CONSTRUCTION.

ALTERNATE SENSOR CABLE INSTALLATION

SENSOR ASSEMBLY INSTALLATION PROCEDURE:

1. USING A CHALK LINE, MARK THE SENSOR TRENCH OUTLINE ON THE PAVEMENT. SEE SYSTEM LAYOUT DRAWING FOR SENSOR LOCATIONS.
2. SAW CUT AROUND THE TRENCH PERIMETER TO A DEPTH OF 1 1/2".
3. SAW CUT THE 3/8" X 1" DP. SENSOR CABLE SLOT TO THE EDGE OF THE PAVEMENT.
4. REMOVE EXISTING PAVEMENT TO A DEPTH OF 1 1/2" WITHIN THE SAW CUT TRENCH PERIMETER.
5. THOROUGHLY CLEAN THE TRENCH OF ALL DEBRIS, DUST, ETC.
6. PLACE SENSOR ASSEMBLY IN THE TRENCH. ADJUST THE #10-32 LEVELING SCREWS UNTIL THE TOP OF THE SENSOR ASSEMBLY IS EVEN WITH THE PAVEMENT SURFACE. (NO HIGHER THAN 1/16").
7. THOROUGHLY MIX LARGE CAN OF ENCAPSULANT.
8. ADD HARDENER & MIX THOROUGHLY.
9. POUR ENCAPSULANT AROUND SENSOR TRYING NOT TO DISTURB SENSOR.
10. 3 TO 5 POUND WEIGHT MAY HAVE TO BE USED TO STOP FLOATING.
11. FILL TRENCH WITH MIXTURE UNTIL FLUSH WITH THE SURFACE OF PAVEMENT. TROWEL AS REQUIRED.
12. LET EPOXY CURE UNTIL HARD.
13. GRIND PERIMETERS IF NEEDED TO REMOVE HIGH OR ROUGH SPOTS.

NOTE: SENSOR CAN BE BENT SLIGHTLY TO CONFORM TO ROADWAY.

REFERENCE: INSTALLATION MANUAL #1050527

REVISIONS	
NAME	DATE

ILLINOIS DEPARTMENT OF TRANSPORTATION
 DISTRICT DETAILS
 IL ROUTE 47
 GRUNDY COUNTY
 SCALE: NTS
 DATE: 09/2007
 DRAWN BY: KHH
 CHECKED BY: FML

886-1

\\District details sheets.dgn 1/29/2008 10:59:23 PM