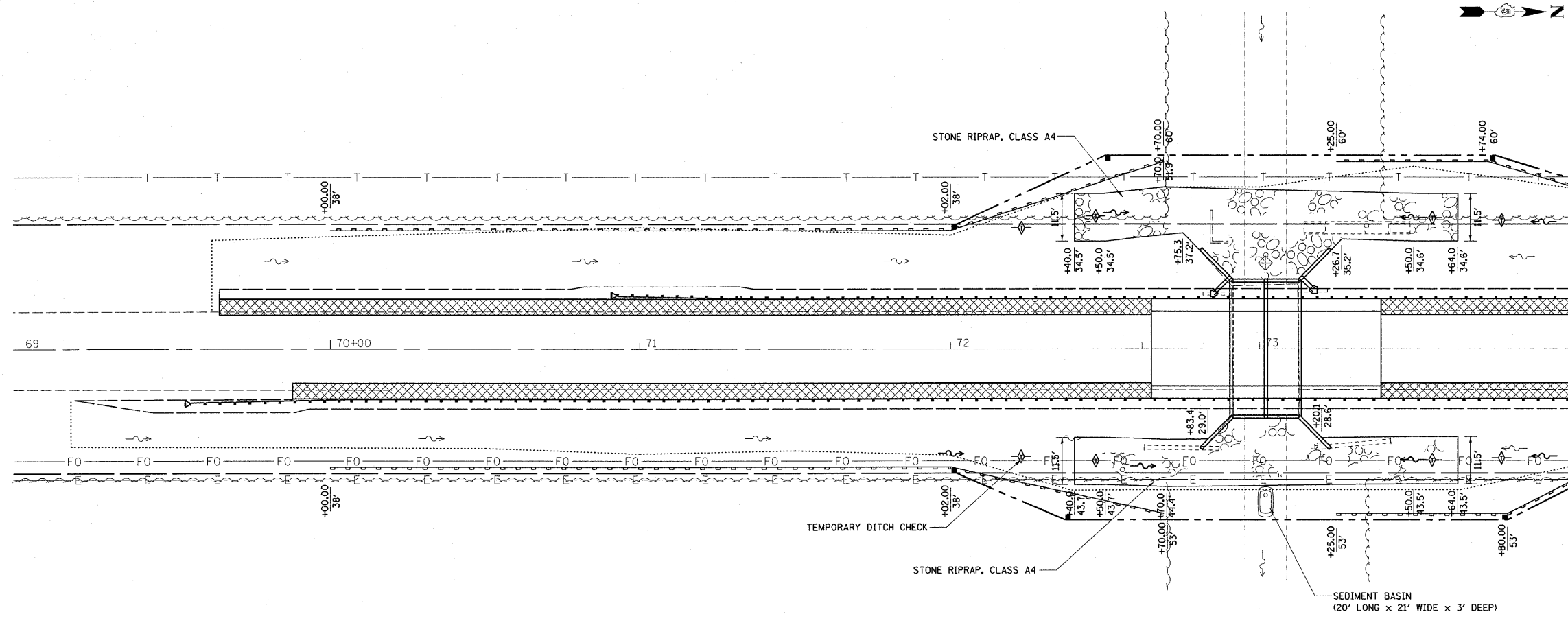
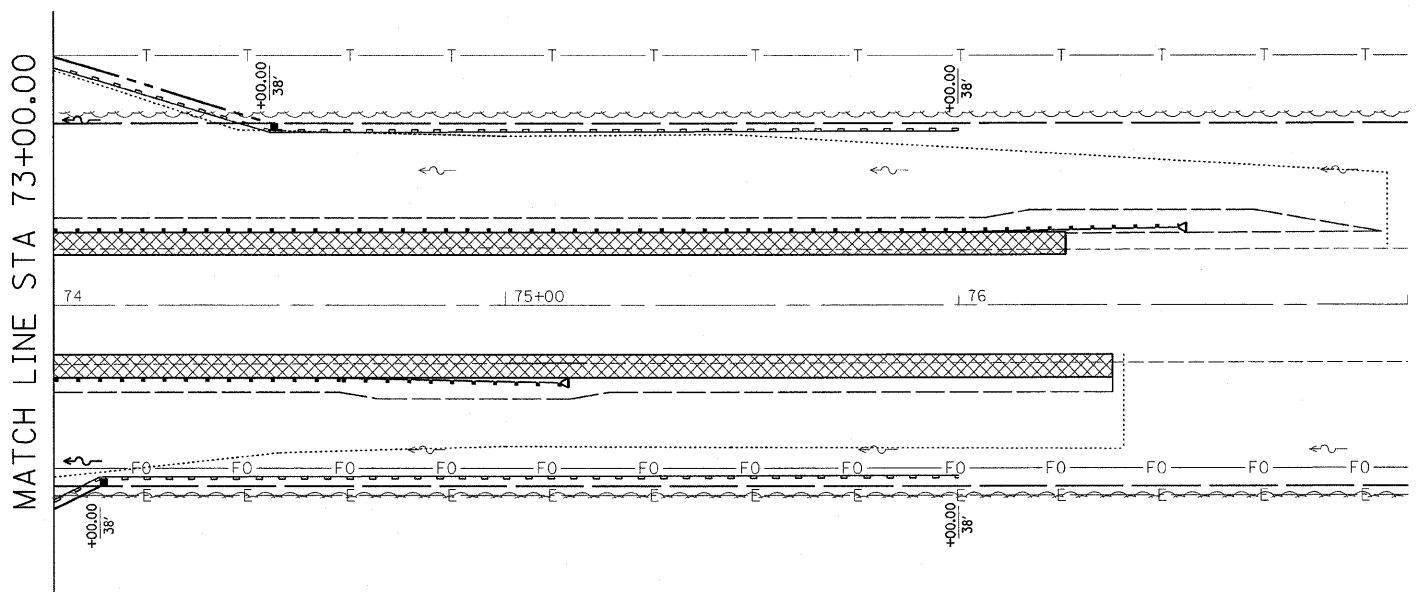


F.A.P. RTE.	SECTION	COUNTY	TOTAL SHEETS	SHEET NO.
*	**	DEWITT	64	19
STA. 69+00.00 TO STA. 77+00.00				
FED. ROAD DIST. NO. ILLINOIS FED. AID PROJECT				
*FAP 721 & 760				
**SECTION 114BR-2 & 124BR-1				
CONTRACT NO. 70014				

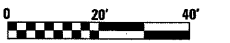


MATCH LINE STA 73+00.00



LEGEND

- TEMPORARY DITCH CHECKS
- SUMMIT
- ROADWAY DITCH FLOW
- INLET AND PIPE PROTECTION
- ITEM PLACED AT BEGINNING OF CONSTRUCTION (REQUIREMENT)
- SEDIMENT BASIN
- PERIMETER EROSION BARRIER



REVISIONS	
NAME	DATE

ILLINOIS DEPARTMENT OF TRANSPORTATION
EROSION CONTROL PLAN
 FAP 721 & 760
 SECTION 114BR-2 & 124BR-1
 DEWITT COUNTY

SCALE: VERT. _____
 DATE _____ HORIZ. _____

DRAWN BY SEIB
 CHECKED BY STEWART