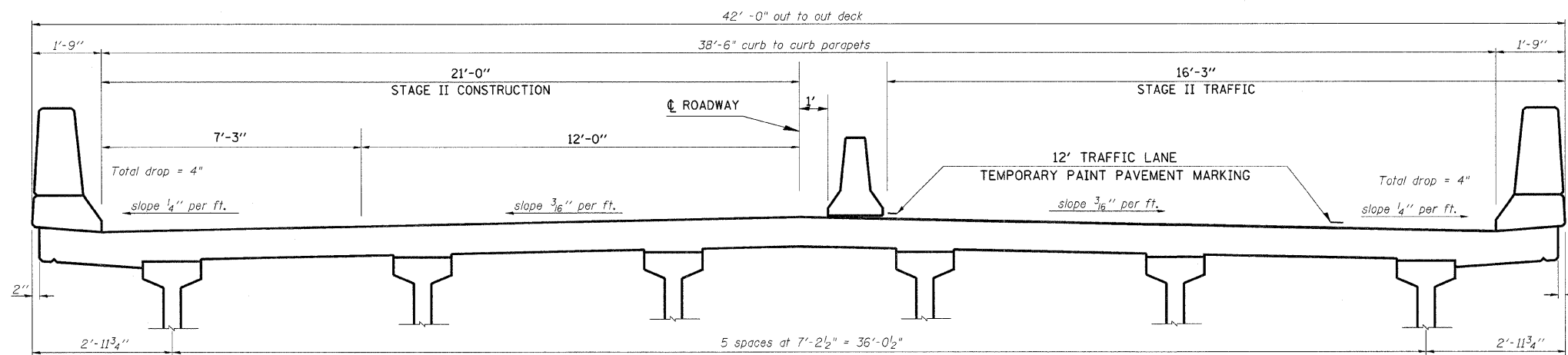


 IMPACT ATTENUATOR, TEMPORARY

RELOCATE TEMPORARY CONCRETE BARRIER STA 22+68.6 to 37+06.1 = 1437.5 FT  
 RELOCATE IMPACT ATTENUATOR, TEMPORARY = 2.0 EACH



**CROSS SECTION**  
(Looking East)

FILE NAME =	USER NAME = teasleyck	DESIGNED -	REVISED -	<b>STATE OF ILLINOIS DEPARTMENT OF TRANSPORTATION</b>	<b>STAGE TWO CONSTRUCTION DETAILS</b>				F.A.S. RTE.	SECTION	COUNTY	TOTAL SHEETS	SHEET NO.
ci:\projects\74328b\stgconst_74328.dgn		DRAWN -	REVISED -		1807	D7 BRIDGE REPAIRS 09-2	LAWRENCE	22	7				
PLOT SCALE = 20,0000' / IN.		CHECKED -	REVISED -		CONTRACT NO. 74328				FED. ROAD DIST. NO.	ILLINOIS FED. AID PROJECT			
PLOT DATE = 7/11/2008		DATE -	REVISED -		SCALE:	SHEET NO.	OF SHEETS	STA.	TO STA.				