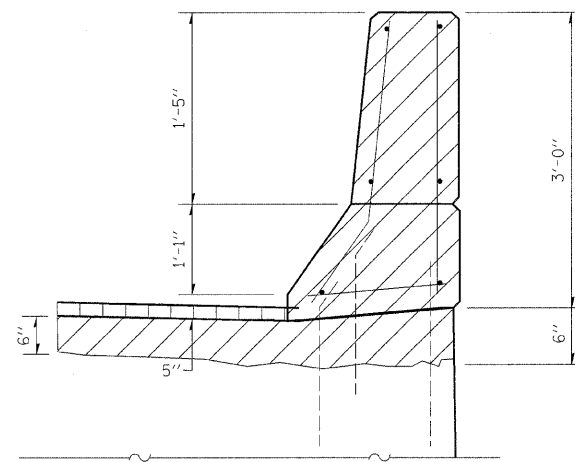
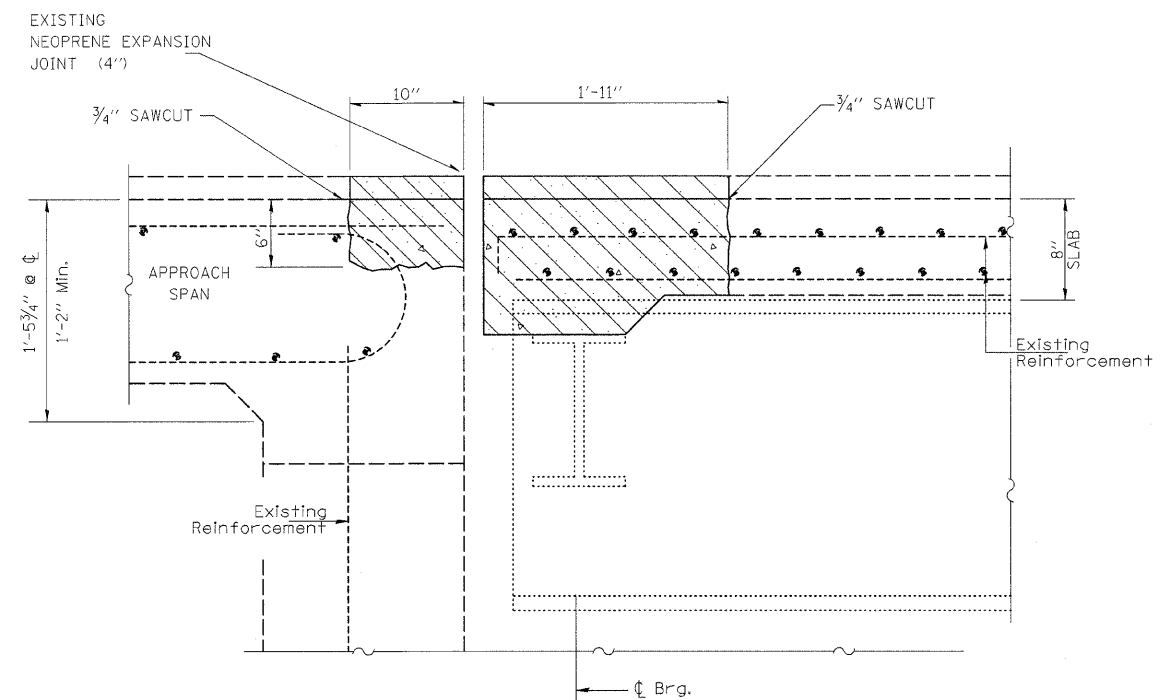


TYPICAL CONCRETE REMOVAL AT PIER 4

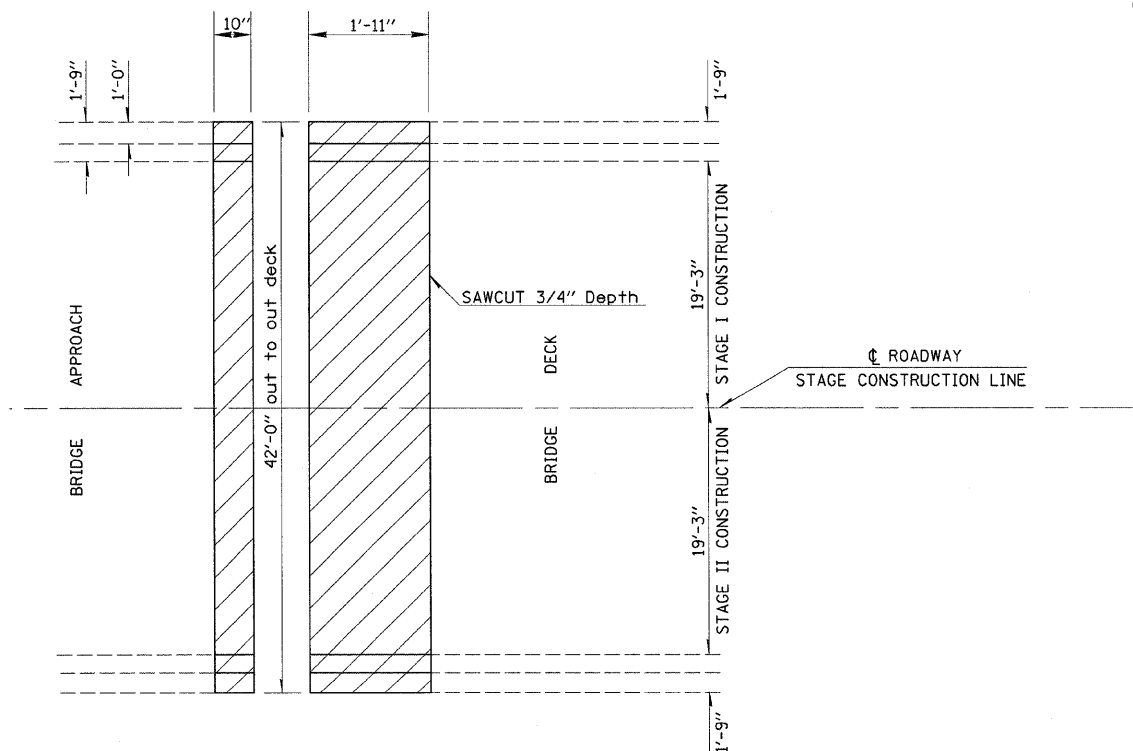


PARAPET DETAIL

CONCRETE REMOVAL (LIMITS ARE FROM OUT TO OUT OF DECK)



EXISTING EXPANSION JOINT AT PIER 4



REMOVAL PLAN VIEW

PIER 4

NOTE: EXISTING REINFORCEMENT BARS ARE TO BE CLEANED, STRAIGHTENED AND INCORPORATED INTO THE NEW CONSTRUCTION. ANY REINFORCEMENT BARS THAT ARE DAMAGED DURING CONCRETE REMOVAL OPERATIONS SHALL BE REPAIRED OR REPLACED USING AN APPROVED BAR SPLICER OR ANCHORAGE SYSTEM (COST INCLUDED IN CONCRETE REMOVAL).

FILE NAME =	USER NAME = teasleyck	DESIGNED -	REVISED -	STATE OF ILLINOIS DEPARTMENT OF TRANSPORTATION	REMOVAL DETAILS PIER 4			F.A.S. RTE.	SECTION	COUNTY	TOTAL SHEETS	SHEET NO.
ca:\projects\74328b\shsdetails\74328.dgn		DRAWN -	REVISED -		1807	D7 BRIDGE REPAIRS 09-2	LAWRENCE	22	13			
PLOT SCALE = 20.0000' / 1" IN.		CHECKED -	REVISED -		SCALE: SHEET NO. OF SHEETS STA. TO STA.			CONTRACT NO. 74328				
PLOT DATE = 7/11/2008		DATE -	REVISED -		FED. ROAD DIST. NO. ILLINOIS FED. AID PROJECT							