

1/16" ϕ holes at 4'-0" cts. for 3/8" ϕ bolts. All bolts shall be burned, sawed, or chipped off flush with the plates after forms are removed, typ.

Place 1/2" x 6" granular or solid flux filled headed studs conforming to Article 1006.32 of the Std. Specs., automatically end welded at 1'-0" int. cts.

Notes:

The strip seal shall be made continuous and shall have a minimum thickness of 1/4". The configuration of the strip seal shall match the configuration of the Locking Edge Rails.

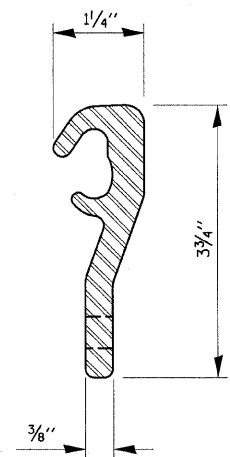
The height and thickness of the Locking Edge Rails shown are minimum dimensions. The actual configuration of the Locking Edge Rails and matching strip seal may vary from manufacturer to manufacturer. Flanged edge rails will not be allowed.

The Inside of the Locking Edge Rail groove shall be free of weld residue.

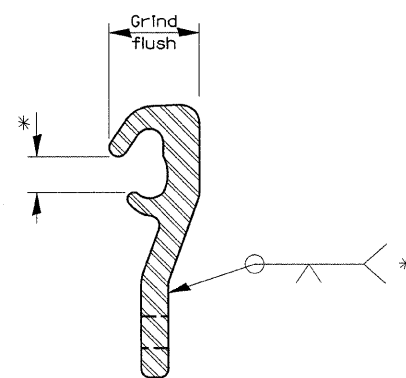
Locking Edge Rails may be spliced at slope discontinuities and stage construction joints.

The manufacturer's recommended installation methods shall be followed.

**SECTION THRU STRIP SEAL JOINT
FOR OVERLAY OVER DECK BEAMS**

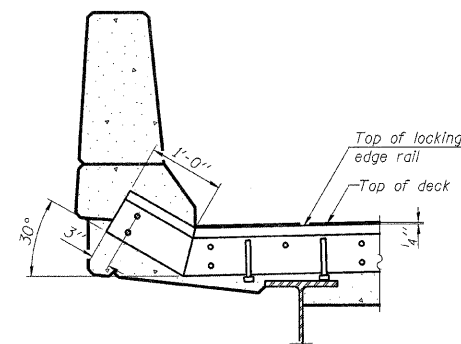


LOCKING EDGE RAIL



LOCKING EDGE RAIL SPLICE

* Omit weld at seal opening.



AT PARAPET

BILL OF MATERIAL

| LOCATION | Item | Unit | Total |
|----------|----------------------------|------|-------|
| W ABUT | Preformed Joint Strip Seal | Foot | 42' |
| BENT 4 | Preformed Joint Strip Seal | Foot | 42' |
| BENT 9 | Preformed Joint Strip Seal | Foot | 42' |
| PIER 4 | Preformed Joint Strip Seal | Foot | 42' |