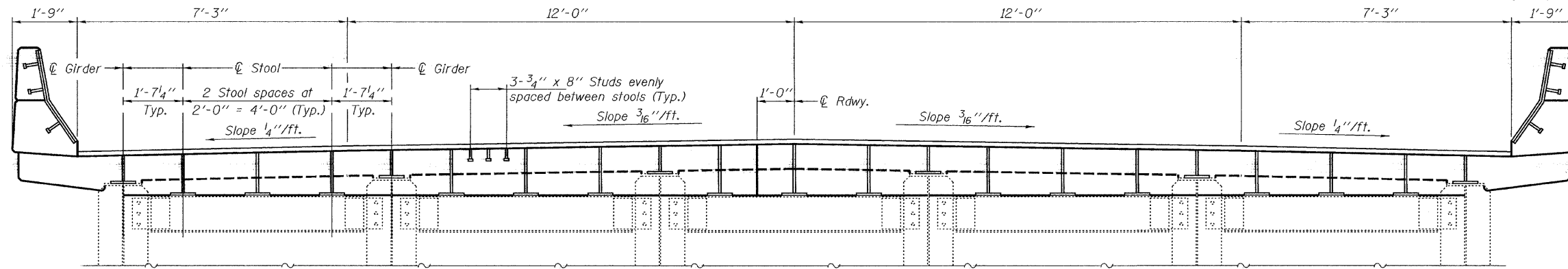


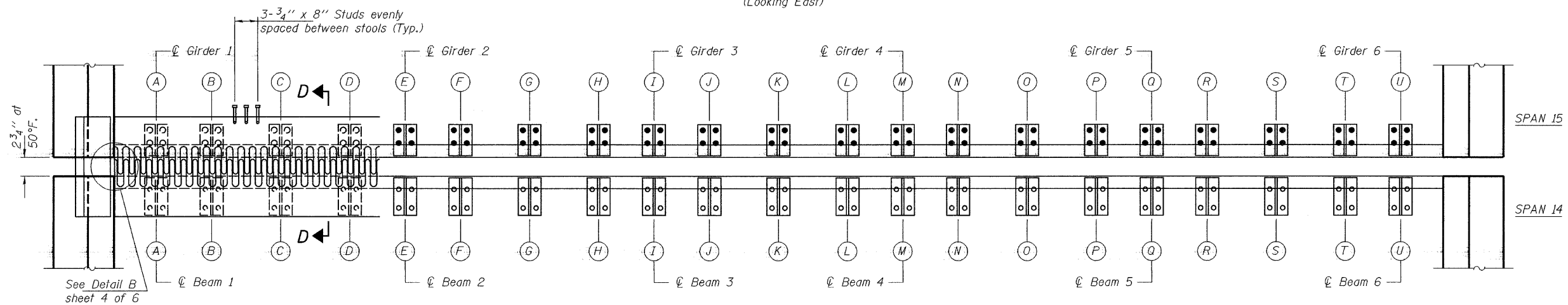
STATE OF ILLINOIS  
DEPARTMENT OF TRANSPORTATION

ROUTE NO.	SECTION	COUNTY	TOTAL SHEETS	SHEET NO.	SHEET NO. 5 6 SHEETS
FA 1	*	LAWRENCE	22	21	
FED. ROAD DIST. NO. 7	ILLINOIS	FED. AID PROJECT-			

Contract Number: 74328  
\* D7 Bridge Repairs 2009-2

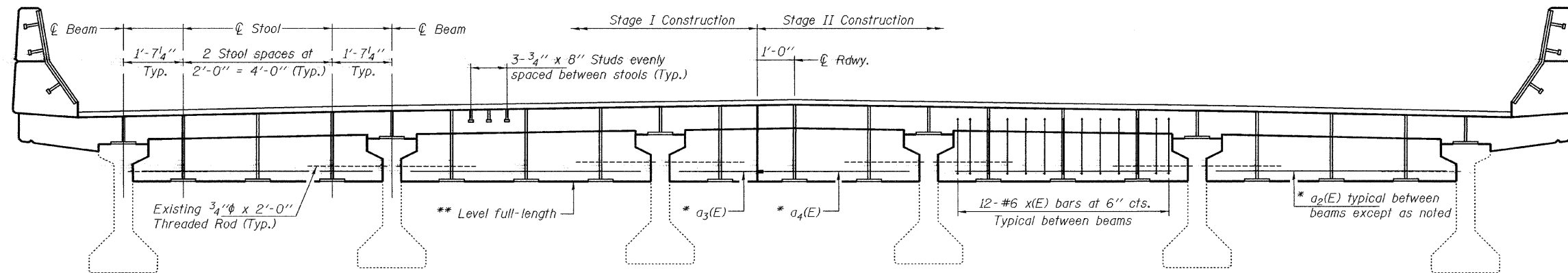


**SECTION THRU SPAN 15**  
(Looking East)



**PLAN**

Note:  
See sheet 3 of 6 for Sec. D-D.



**SECTION THRU SPAN 14**  
(Looking East)

DESIGNED	ATH
CHECKED	AJB
DRAWN	Steffen
CHECKED	ATH AJB

JULY 31, 2008  
EXAMINED *Carl Perry*  
ENGINEER OF STRUCTURAL SERVICES  
PASSED *Ralph E. Anderson*  
ENGINEER OF BRIDGES AND STRUCTURES

- \* These bars need to be placed in the fabrication shop, prior to the installation of the Finger Plate.
- \*\* The support system for the Finger Plate Assembly shall be sufficiently rigid as to prevent any movement or rotation of Finger Plate & stools during the placing of the concrete. Cast included with Finger Plate Expansion Joint.

**REPAIR DETAILS**  
**FA RT. 1 SPUR**  
**LAWRENCE COUNTY**  
**SN 051-0053**