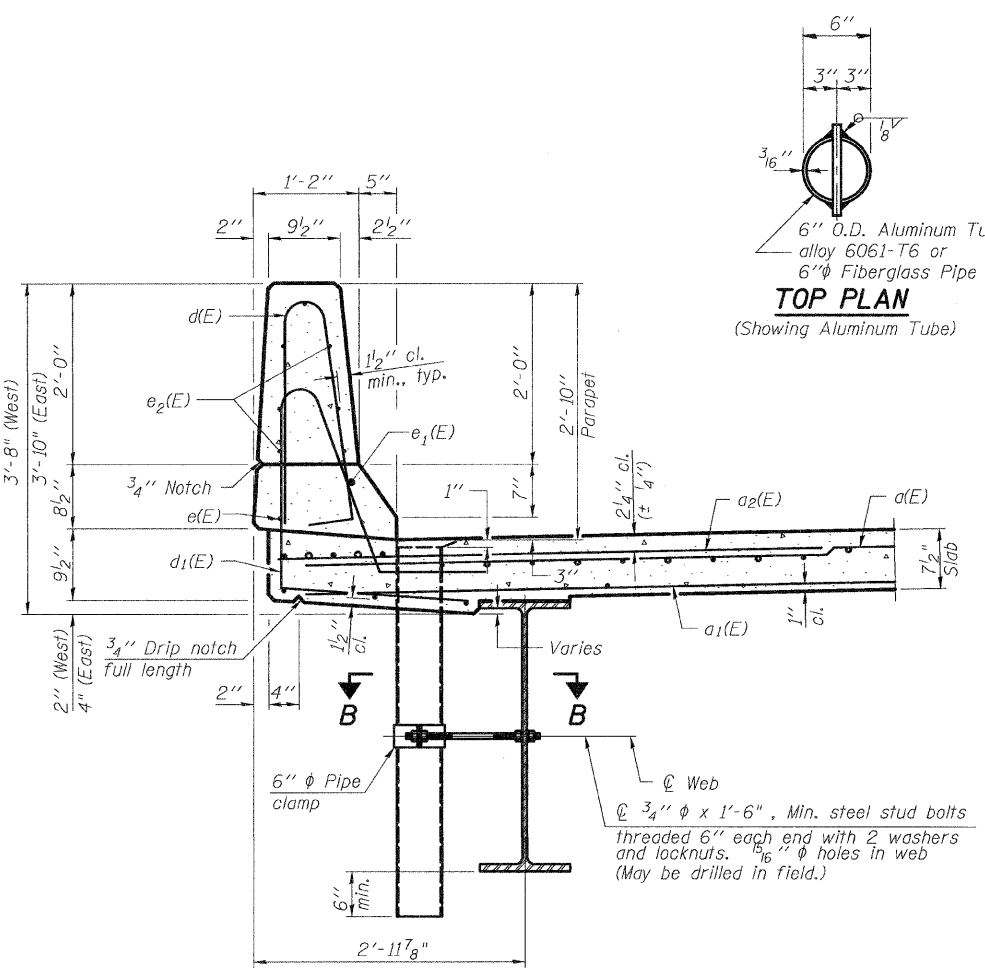
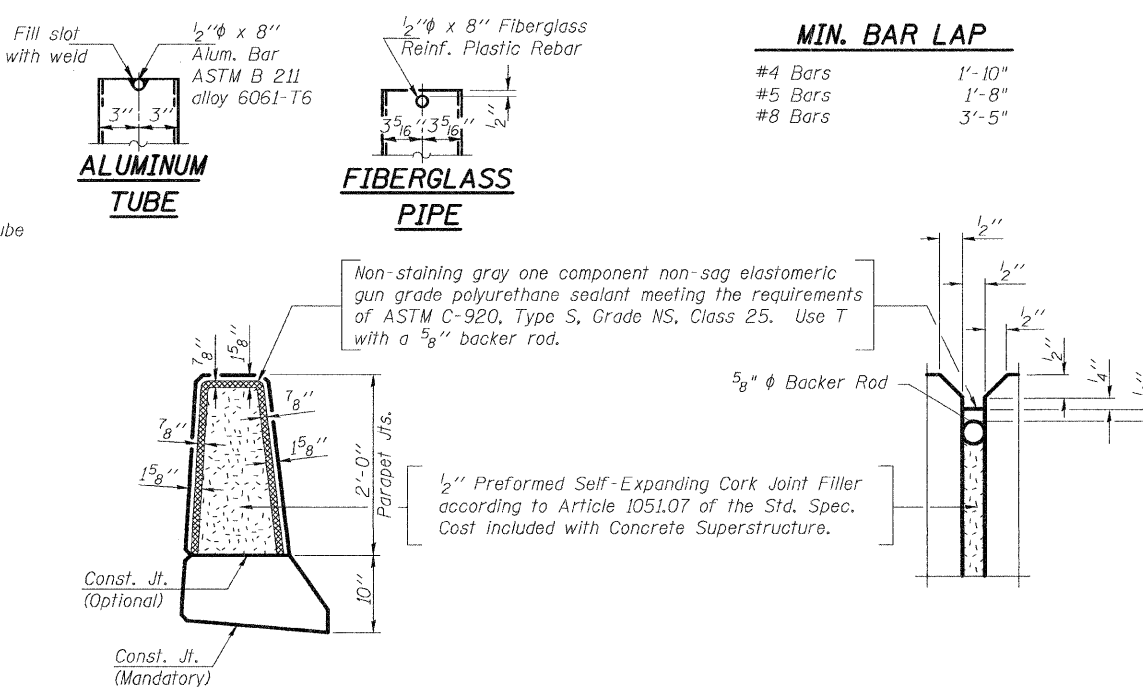


**INSIDE ELEVATION OF PARAPET**



**SECTION THRU PARAPET**

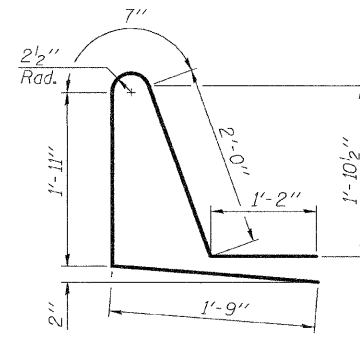


**PARAPET JOINT DETAILS**

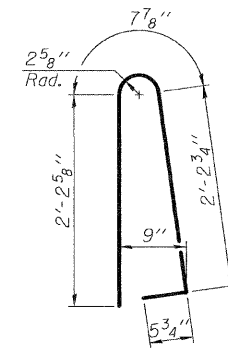
Notes:  
The exterior surfaces of the floor drains shall be painted with the finish coat as specified in the special provisions for Cleaning and Painting New Metal Structures. The exterior surfaces of the drains shall be cleaned according to Steel Structures Painting Council's Spec. SSPC-SP1 prior to painting.  
Fiberglass pipe shall conform to ASTM D 2996, with short-time rupture strength hoop tensile stress of 30,000 p.s.i. minimum.

**MIN. BAR LAP**

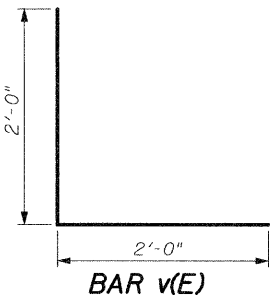
#4 Bars	1'-10"
#5 Bars	1'-8"
#8 Bars	3'-5"



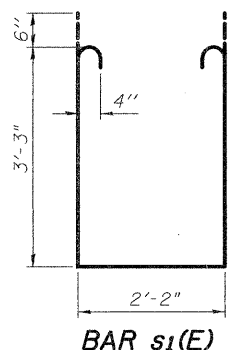
**BAR d1(E)**



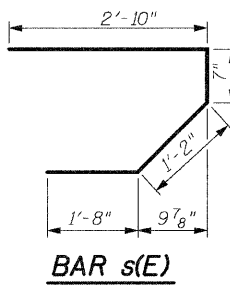
**BAR d(E)**



**BAR v(E)**



**BAR s1(E)**



**BAR s(E)**

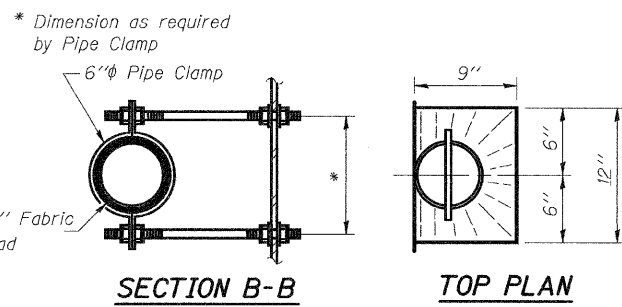
**BILL OF MATERIAL**

Bar	No.	Size	Length	Shape
a(E)	348	#5	33'-7"	—
a1(E)	124	#5	29'-3"	—
a2(E)	170	#6	4'-0"	—
a3(E)	124	#5	37'-11"	—
a4(E)	8	#5	38'-4"	—
b(E)	207	#5	25'-5"	—
b2(E)	276	#5	19'-6"	—
d(E)	160	#5	5'-7"	—
d1(E)	160	#5	7'-9"	—
e(E)	6	#5	25'-5"	—
e1(E)	6	#8	26'-7"	—
e2(E)	56	#4	17'-11"	—
v(E)	130	#5	4'-0"	—
m(E)	12	#6	26'-3"	—
m1(E)	18	#6	27'-5"	—
m2(E)	32	#6	11'-10"	—
m3(E)	14	#6	9'-5"	—
m4(E)	4	#6	3'-0"	—
s(E)	124	#5	6'-3"	—
s1(E)	124	#4	10'-0"	—
Reinforcement Bars, Epoxy Coated		Pound	40,980	
Concrete Superstructure		Cu. Yds.	183.6	
Protective Coat		Sq. Yds.	577	
Floor Drains		Each	6	
Bar Splicers		Each	130	
Bridge Deck Grooving		Sq. Yds.	498	

Reinforcement bars designated (E) shall be epoxy coated.  
Bars indicated thus 1 x 3 #5 etc. indicates 1 line of bars with 3 lengths per line.

**SUPERSTRUCTURE DETAILS**  
FAP 310 (US 67) OVER  
SOUTH BRANCH OF PIASA CREEK  
SECTION 60-(16B, 16-1B)  
MADISON COUNTY STA 165+71.94  
SN 060-0329

DESIGNED	B.W.P.
CHECKED	R.P.B.
DRAWN	D.J.S.
CHECKED	R.P.B.



**SECTION B-B**

**TOP PLAN**