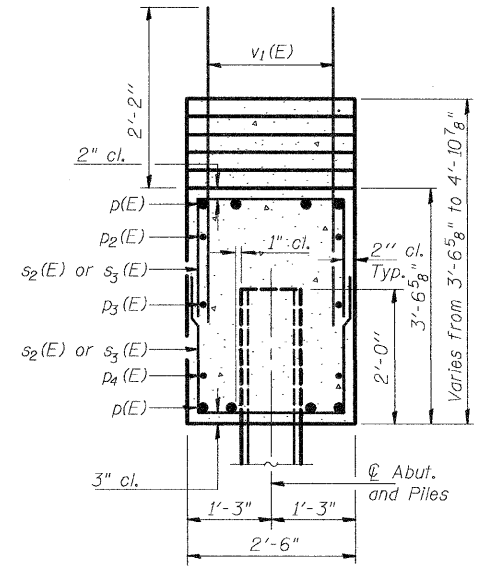
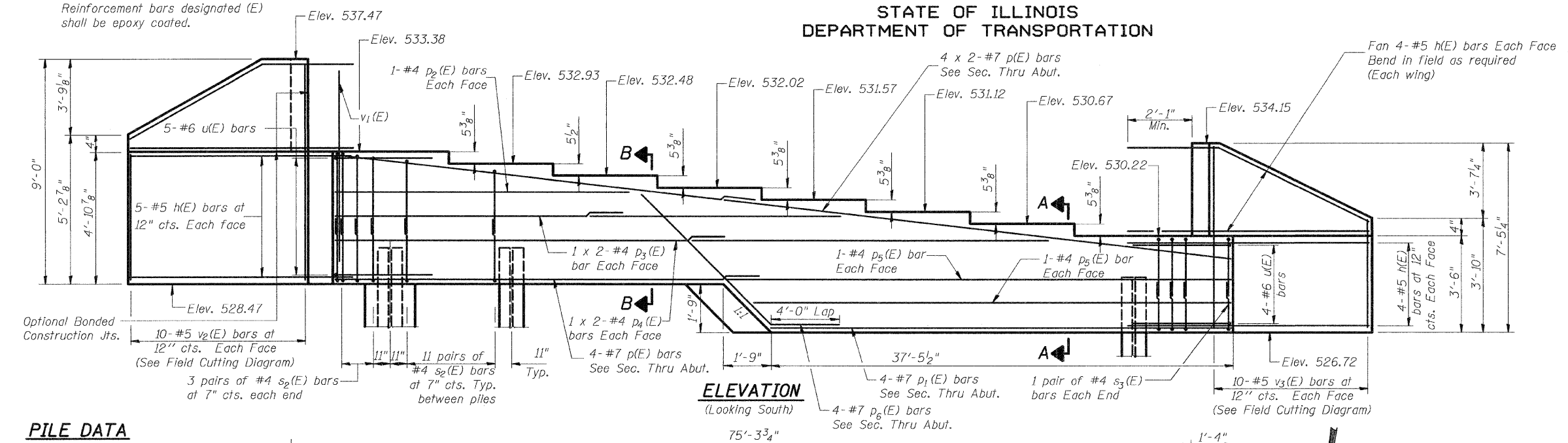


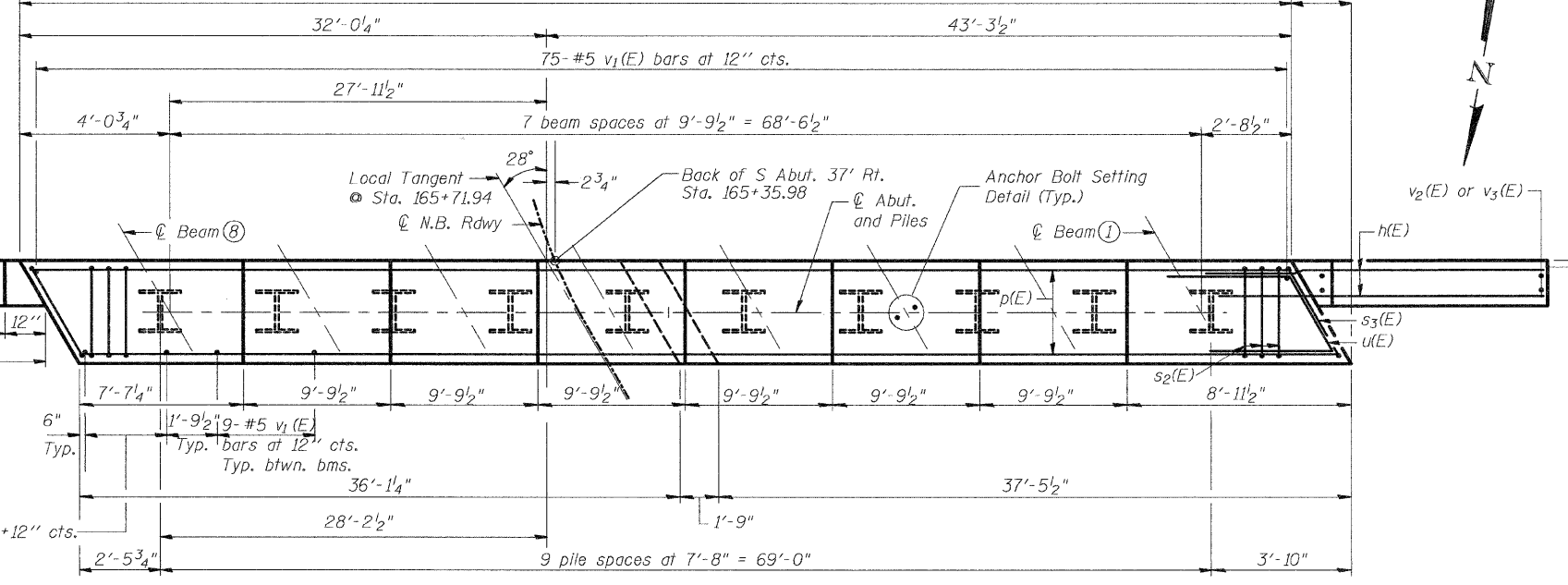
**STATE OF ILLINOIS  
DEPARTMENT OF TRANSPORTATION**

Notes: Pour steps monolithically with cap.  
Reinforcement bars designated (E)  
shall be epoxy coated.



**PILE DATA**

Type: HP12x63 With Pile Shoes  
Nominal Required Bearing: 496 kips  
Allowable Resistance Available: 165 kips  
Est. Length: 33'  
No. Required: 10  
The Steel H-Piles shall be according to AASHTO M270 Grade 50.  
The test piles shall be driven to 110 percent of the Nominal Required Bearing indicated in the pile data information.

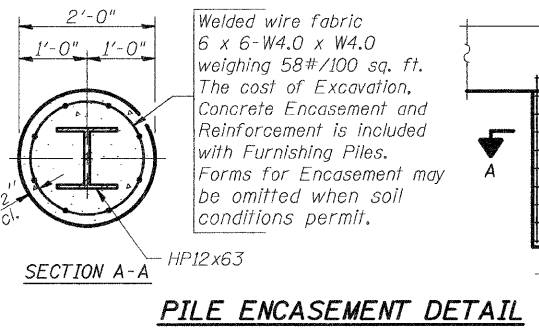


**MIN. BAR LAP**  
#4 BAR = 2'-5"  
#7 BAR = 4'-10"

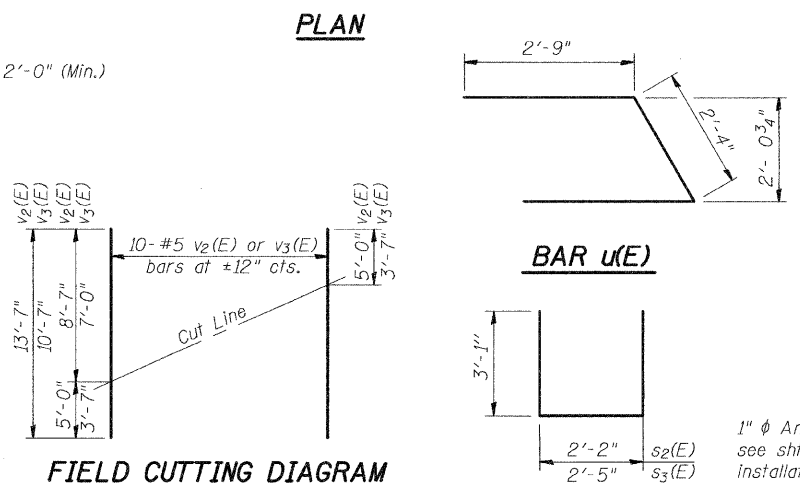
**BILL OF MATERIAL**

Bar No.	Size	Length	Shape
h(E)	34 #5	12'-11"	—
p(E)	12 #7	39'-11"	—
p1(E)	4 #7	37'-0"	—
p2(E)	2 #4	21'-10"	—
p3(E)	4 #4	22'-8"	—
p4(E)	4 #4	33'-2"	—
p5(E)	4 #4	37'-10"	—
p6(E)	4 #7	10'-10"	—
s2(E)	210 #4	8'-4"	□
s3(E)	4 #4	8'-7"	□
u(E)	9 #6	7'-10"	└
v1(E)	144 #5	4'-4"	—
v2(E)	10 #5	13'-7"	—
v3(E)	10 #5	10'-7"	—
Concrete Structures	Cu. Yd.	34.7	
Reinforcement Bars Epoxy Coated	Pound	4430	
Structure Excavation	Cu. Yd.	31.5	
Furnishing Steel			
Piles HP12x63	Foot	330	
Driving Piles	Foot	330	
Pile Shoes	Each	10	

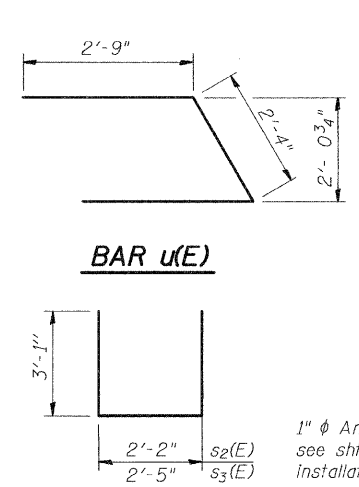
Bars indicated thus 1 x 2-#4 etc. indicates 1 line of bars with 2 lengths per line.



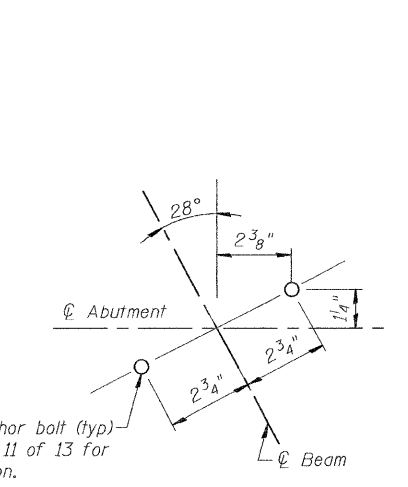
**PILE ENCASEMENT DETAIL**



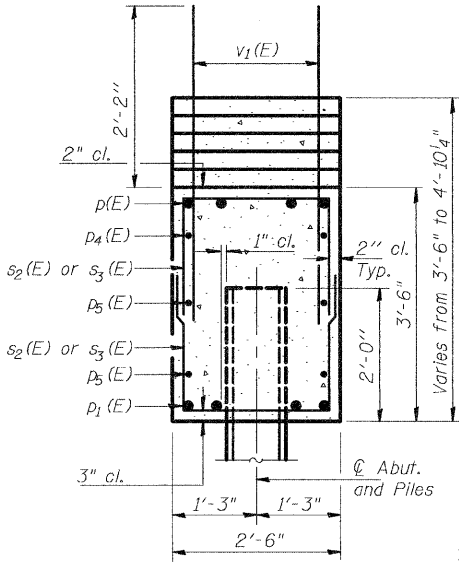
**FIELD CUTTING DIAGRAM**  
Order v2(E) & v3(E) full length. Cut as shown and use remainder of bars in opposite face.



**BARS s2(E) & s3(E)**



**ANCHOR BOLT SETTING DETAIL**



**SECTION A-A**  
(Dimensions @ Right Angles)

**SOUTH ABUTMENT  
FAP 310 (US 67) OVER  
SOUTH BRANCH OF PIASA CREEK  
SECTION 60-(16B, 16-1B)  
MADISON COUNTY STA 165+71.94  
SN 060-0329**

DESIGNED	B.W.P.
CHECKED	R.P.B.
DRAWN	D.J.S.
CHECKED	R.P.B.

AI-L 2-14-01