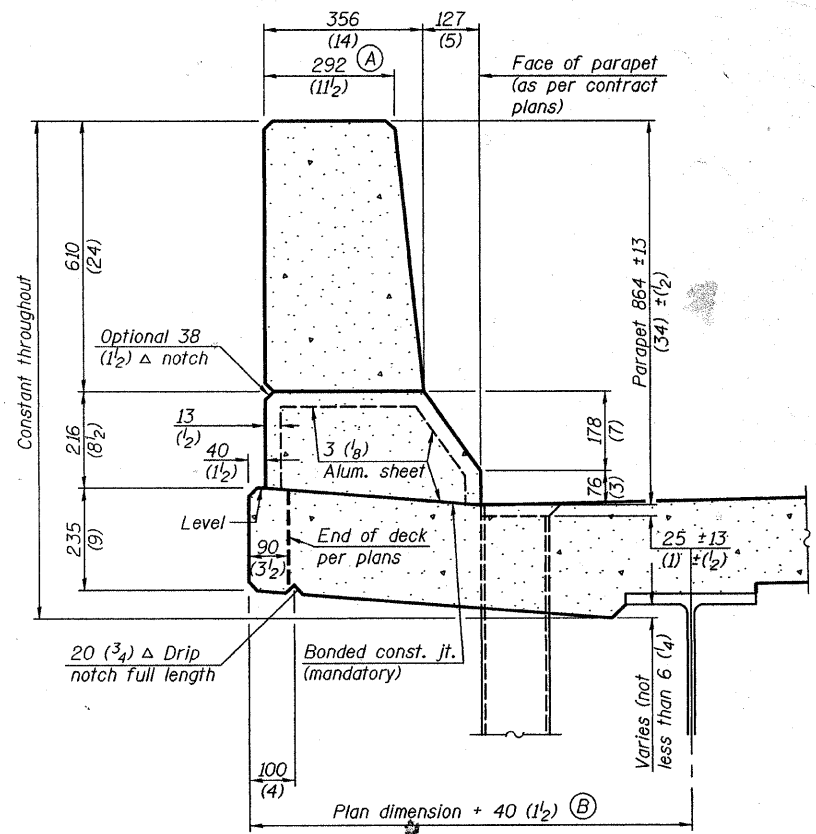


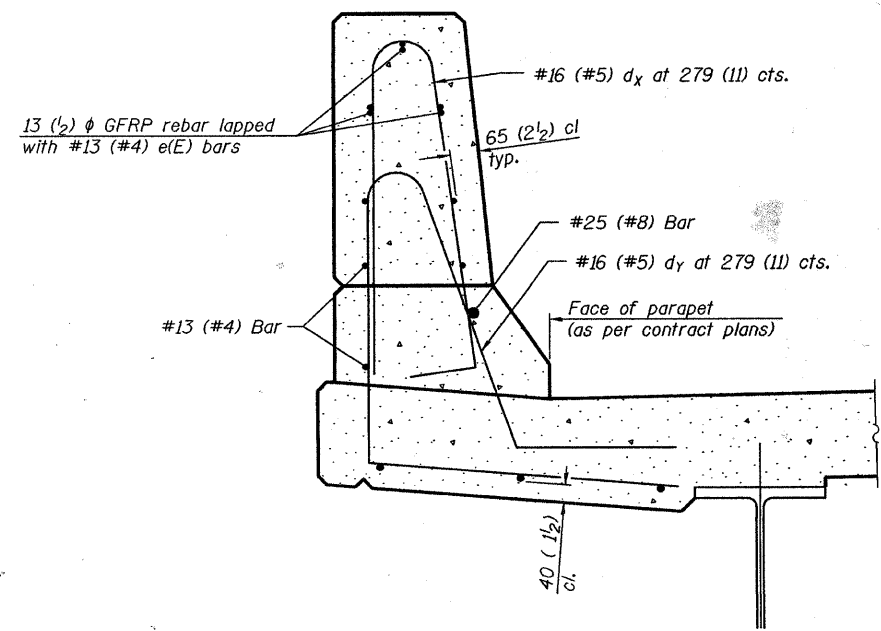
STATE OF ILLINOIS
DEPARTMENT OF TRANSPORTATION

FAP ROUTE NO.	SECTION	COUNTY	TOTAL SHEETS	SHEET NO.	SHEET NO.
310	60- WB...	MADISON	62	44A,	
FED. ROAD DIST. NO. 7		BLINDS	FED. AID PROJECT		

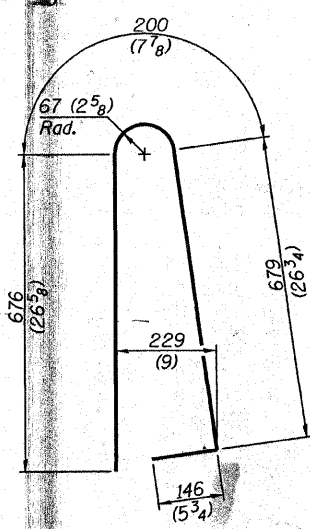
Contract #



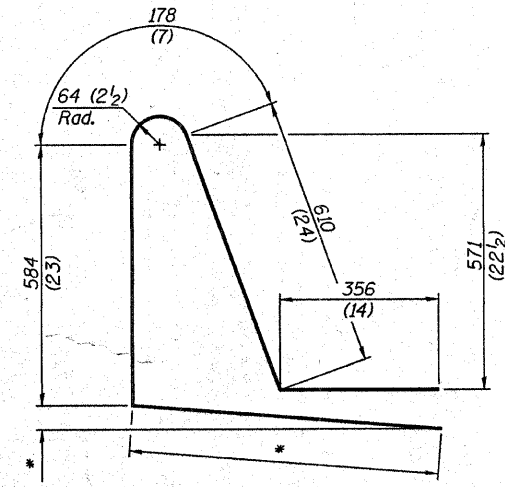
SECTION
(Showing dimensions)



SECTION
(Showing required reinforcement)

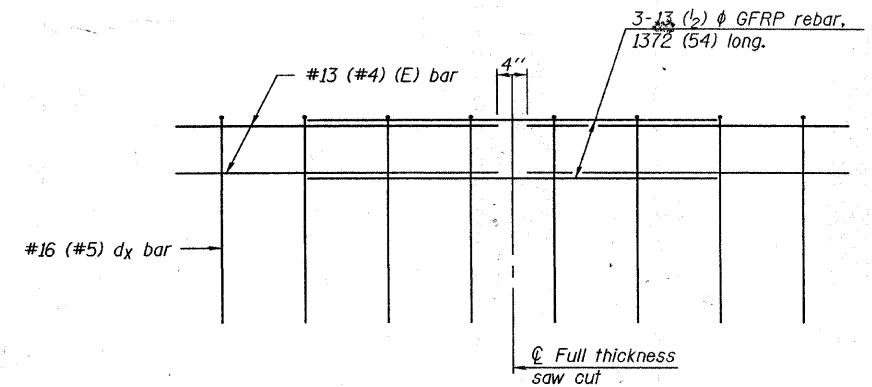


BAR dx(e)



BAR dy(e)
* Per contract plans

GENERAL NOTES
All dimensions shall remain the same as shown on contract plans, except dimensions A and B which are to be revised as shown to provide additional clearance. Additional concrete needed to revise dimension A and B = 0.0422 m³/m (0.165 cu. yds./ft.) of parapet. Place aluminum sheet in curb portion at and near piers. Full thickness saw cut at all other locations. Adjust/add joint locations to maintain 3 to 6 meter (10 to 20 foot) spacing.



GFRP REBAR STIFFENING DETAIL
(Place as shown in parapet section)

**CONCRETE PARAPET
SLIPFORMING OPTION**