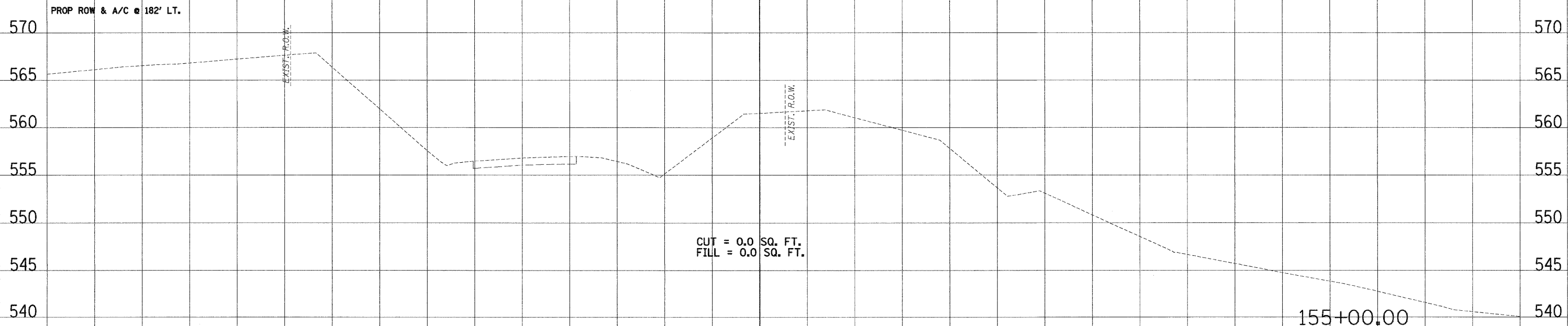
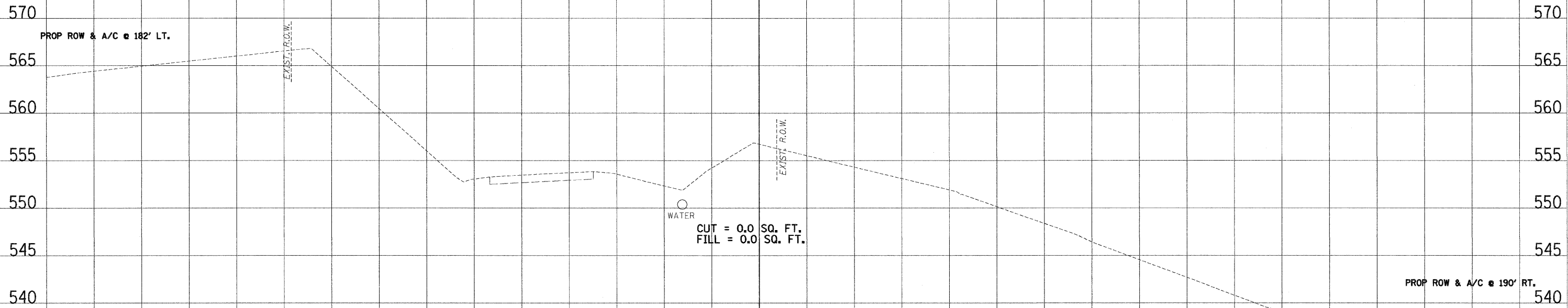


F.A.P. RTE.	SECTION	COUNTY	TOTAL SHEETS	SHEET NO.
310	60-(16B, 16-1B)	MADISON	62	45
STA. 155+00.00		TO STA. 155+50.00		
FED. ROAD DIST. NO.	ILLINOIS	FED. AID PROJECT		
CONTRACT NO. 76567				



SURVEY PLOTTED
 NOTE BOOK
 NO. AREAS CHECKED

SURVEY PLOTTED
 NOTE BOOK
 NO. AREAS CHECKED

T:\2007-2008\06-10-07\06-10-07.dwg 12/27/2007 2:55:04 PM