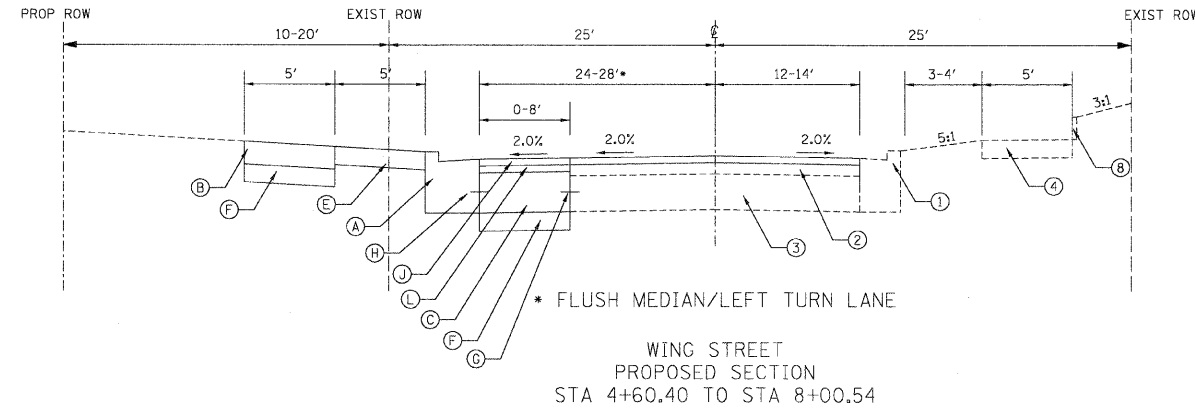


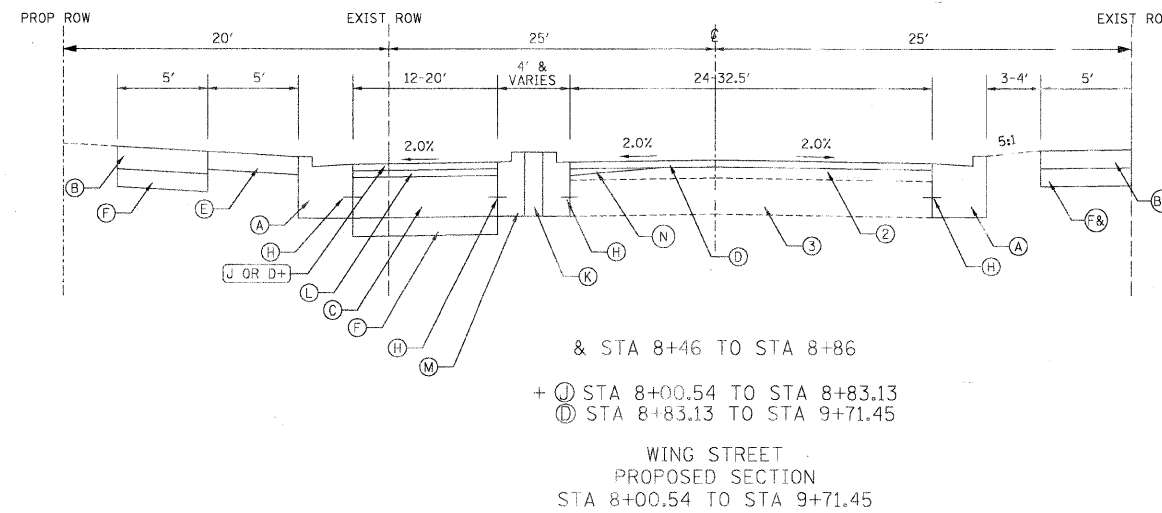
CONTRACT NO.: 83943

F.A.U. RTE.	SECTION	COUNTY	TOTAL SHEETS	SHEET NO.
3887	96-00159-00-CH	KANE	70	7
STA.		TO STA.		
FED. ROAD DIST. NO.	ILLINOIS	FED. AID PROJECT		



LEGEND - EXISTING

- ① COMBINATION CONCRETE CURB AND GUTTER, TYPE B-6.18
- ② BITUMINOUS CONCRETE OVERLAY, 2 3/4 - 4 3/4"
- ③ PORTLAND CEMENT CONCRETE BASE, 8 - 9 1/4"
- ④ PORTLAND CEMENT CONCRETE SIDEWALK
- ⑤ COMBINATION CONCRETE CURB AND GUTTER, TYPE B-6.12
- ⑥ BITUMINOUS CONCRETE OVERLAY, 4 1/4 - 6 1/4"
- ⑦ PORTLAND CEMENT CONCRETE BASE, 9 1/4 - 8"
- ⑧ RETAINING WALL
- ⑨ COMBINATION CONCRETE CURB AND GUTTER, TYPE B-6.06
- ⑩ CONCRETE MEDIAN
- ⑪ PAVING BRICK, 0 - 4"



LEGEND - PROPOSED

- A • COMBINATION CONCRETE CURB AND GUTTER, TYPE B-6.24
- B PORTLAND CEMENT CONCRETE SIDEWALK, 5"
- C PORTLAND CEMENT BASE COURSE, 7 1/2"
- D POLYMERIZED HOT-MIX ASPHALT SURFACE COURSE, MIX "F", N90, 1 3/4"
- E TOPSOIL FURNISH AND PLACE, 4"
- F SUB-BASE GRANULAR MATERIAL, TYPE B, 4"
- G LONGITUDINAL CONSTRUCTION JOINT NO. 6 TIE BAR, DEFORMED, EPOXY COATED, GROUTED IN PLACE, 24" LONG AT 24" CTS. (INCLUDED IN THE COST OF THE PCC BASE COURSE)
- H LONGITUDINAL JOINT NO. 6 TIE BAR, DEFORMED, EPOXY COATED, 24" LONG AT 24" CTS. (INCLUDED IN THE COST OF THE CURB AND GUTTER)
- I POLYMERIZED HOT-MIX ASPHALT BINDER COURSE, IL-19.0, N90, 2 1/4"
- J HOT-MIX ASPHALT SURFACE COURSE, MIX "D", N70, 1 1/2"
- K CONCRETE MEDIAN, TYPE SB-6.06
- L HOT-MIX ASPHALT BINDER COURSE, IL-19.0, N70, 2 1/4"
- M • COMBINATION CONCRETE CURB AND GUTTER, TYPE B-6.06, REVERSE PITCH
- N POLYMERIZED HOT-MIX ASPHALT BINDER COURSE, IL-19.0, N90, VARIABLE DEPTH
- O POROUS GRANULAR EMBANKMENT, SUBGRADE, 12"
- P PIPE UNDERDRAIN 4"

COMBINATION CONCRETE CURB AND GUTTER, TYPE B-6.24 SHALL BE USED ON THE CHANNELIZING ISLANDS.

• THICKNESS OF CURB AND GUTTER SHALL BE EQUAL TO THICKNESS OF ASPHALT AND CONCRETE BASE COURSE

2/12/2008 H:\ELGIN\12901\4\DESIGN\DN\07TX03.DGN

**RHA&A**

Robert H. Anderson & Associates, Inc.  
Consulting Engineers  
Timbers Professional Center  
220 West River Drive, St. Charles, IL 60174  
Phone - 630.584.3530 Fax - 630.584.3047

REVISIONS	
NAME	DATE

ILLINOIS DEPARTMENT OF TRANSPORTATION  
ILLINOIS ROUTE 31 AND WING STREET

PROPOSED TYPICAL SECTIONS

SCALE: VERT.  
HORIZ. NONE  
DATE: FEBRUARY 13, 2008

DRAWN BY: TC  
DESIGN BY: TC  
CHECKED BY: KMA