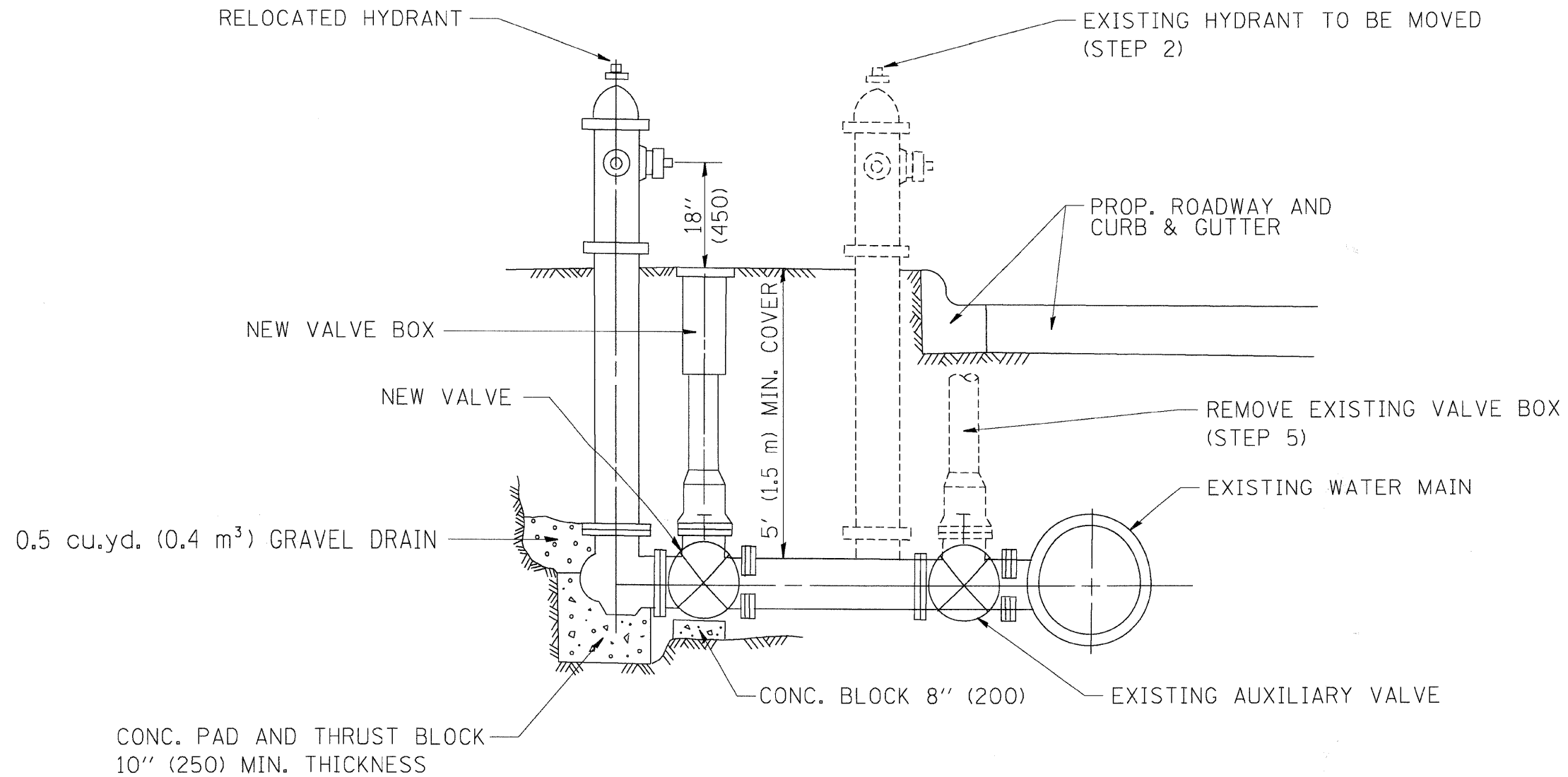


|                     |                |          |                  |           |
|---------------------|----------------|----------|------------------|-----------|
| F.A.U. RTE.         | SECTION        | COUNTY   | TOTAL SHEETS     | SHEET NO. |
| 3887                | 96-00159-00-CH | KANE     | 70               | 47        |
| STA.                |                | TO STA.  |                  |           |
| FED. ROAD DIST. NO. |                | ILLINOIS | FED. AID PROJECT |           |



SEQUENCE OF CONSTRUCTION:

1. CLOSE EXISTING VALVE.
2. REMOVE EXISTING HYDRANT.
3. INSTALL HYDRANT EXTENSION AND NEW VALVE.
4. RELOCATE EXISTING HYDRANT.
5. OPEN EXISTING VALVE, REMOVE BOX.
6. BACKFILL.
7. FLUSH AND TEST FOR CHLORIDE RESIDUAL AND PROVIDE TEST.

ALL WORK TO BE DONE IN ACCORDANCE WITH ARTICLE 564 OF THE STANDARD SPECIFICATIONS. NEW VALVE AND BOX SHALL BE SAME MAKE AND MODEL AS EXISTING.

FIRE HYDRANT TO BE MOVED

ALL DIMENSIONS ARE IN INCHES (MILLIMETERS) UNLESS OTHERWISE SHOWN.

| REVISIONS |          |
|-----------|----------|
| NAME      | DATE     |
| R. SHAH   | 09/09/94 |
| R. SHAH   | 10/25/94 |
|           |          |
|           |          |
|           |          |
|           |          |
|           |          |
|           |          |
|           |          |

ILLINOIS DEPARTMENT OF TRANSPORTATION

FIRE HYDRANT  
TO BE MOVED

SCALE: VERT. NONE  
HORIZ.

DRAWN BY  
CHECKED BY