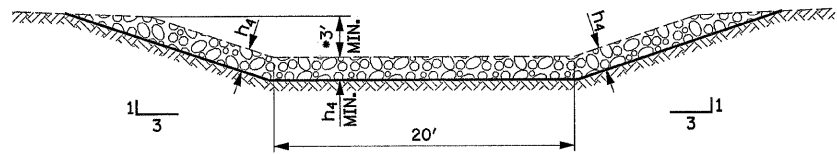


F.A. RTE.	SECTION	COUNTY	TOTAL SHEETS	SHEET NO.
FAP734	98-00480-00-BR 03-00522-00-TL	WINNEBAGO	62	6
STA. _____		TO STA. _____		
FED. ROAD DIST. NO. _____		ILLINOIS FED. AID PROJECT		

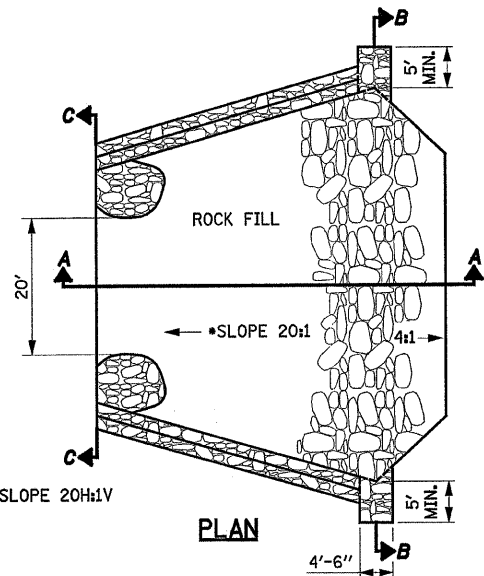
TYPICAL SECTIONS

IL. RT 251 (KISHWAUKEE ST.) CHANNEL DETAILS

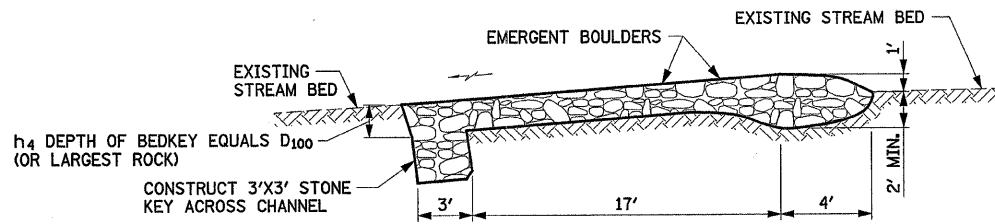


SECTION C-C

* EXTEND ROCK RIPRAP TO TOP OF PRIMARY CHANNEL BANK OR 3.0 FEET, WHICHEVER IS GREATER



PLAN

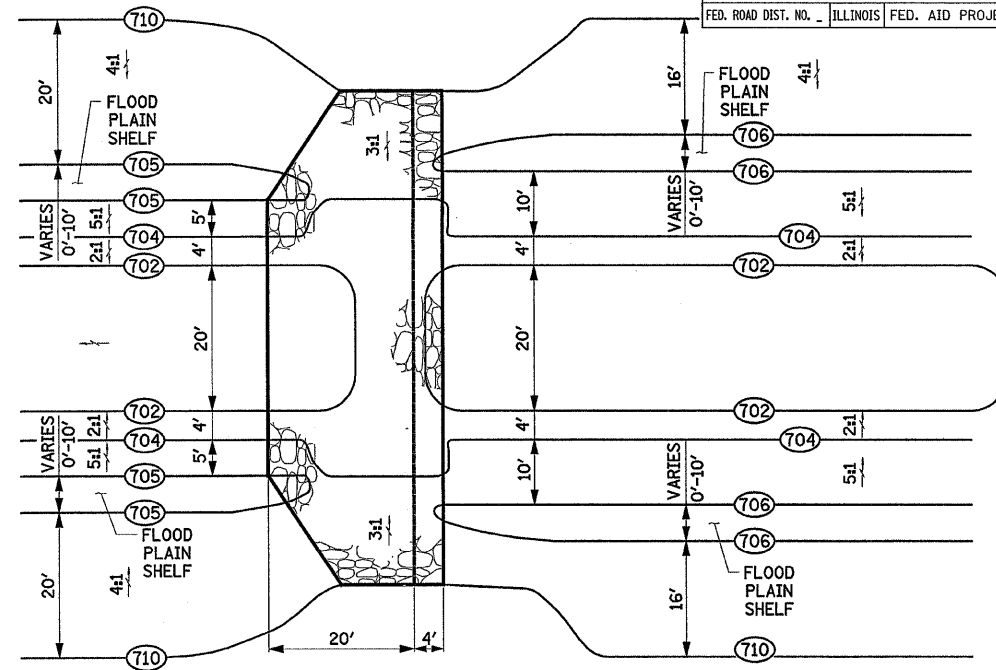


SECTION A-A

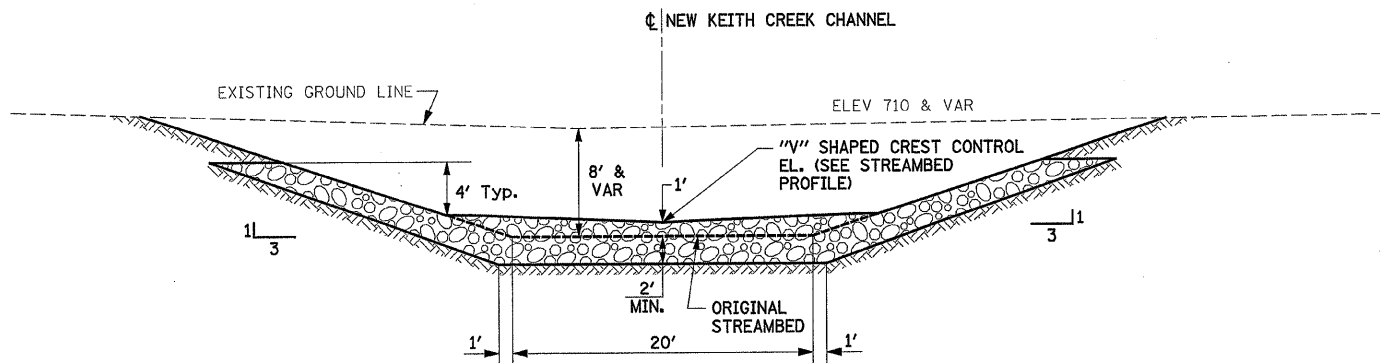
REFERENCE TABLE

IDOT CLASS	h_{14} (D_{100})	D_{50}
3	10.2 in.	6.0 in.

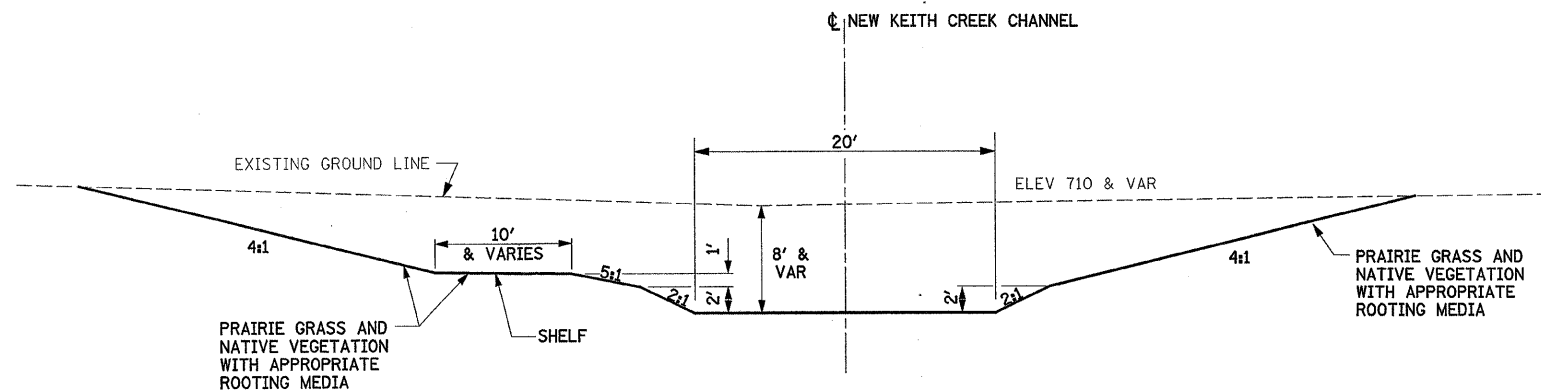
NOTE:
ROCK GRADATION USED SHALL MEET IDOT REQUIREMENTS FOR GRADATION 3 RIPRAP QUALITY DESIGNATION "A" OF "B" ($D_{50} = 6.0$ in.)
USE LARGEST INDIVIDUAL STONES FROM AVAILABLE MATERIAL AS SHOWN FOR THE EMERGENT BOULDERS AND CREST STONE. TO BE VERIFIED.



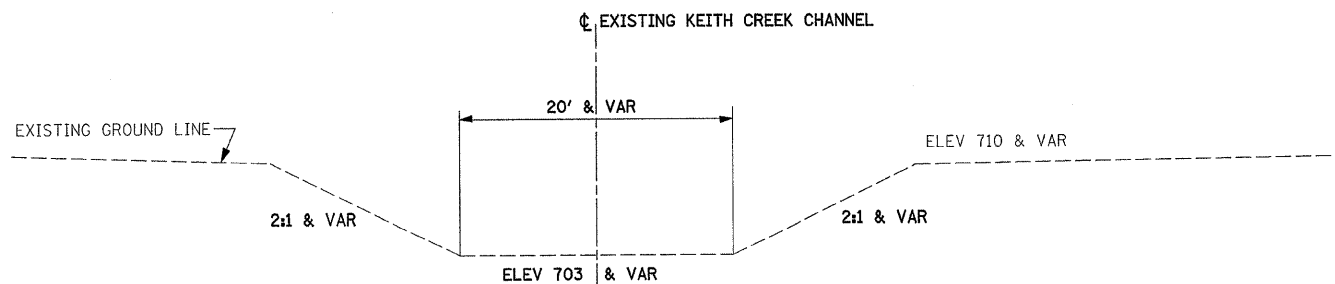
TYPICAL TRANSITION AT RIFFLE



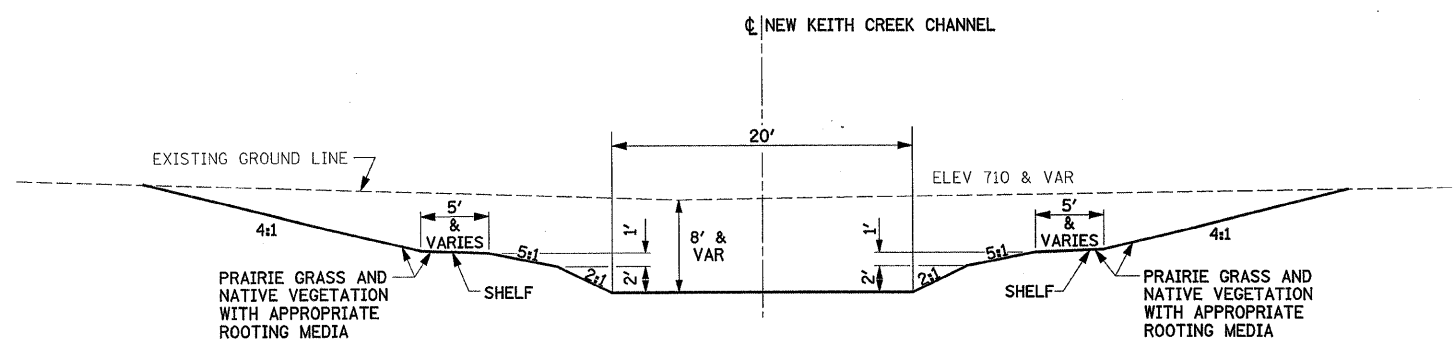
SECTION B-B



TYPICAL SECTIONS BETWEEN RIFFLE STRUCTURES



EXISTING CHANNEL SECTION



DATE-TIME
ADDRESS
PHONE
FAX
E-MAIL