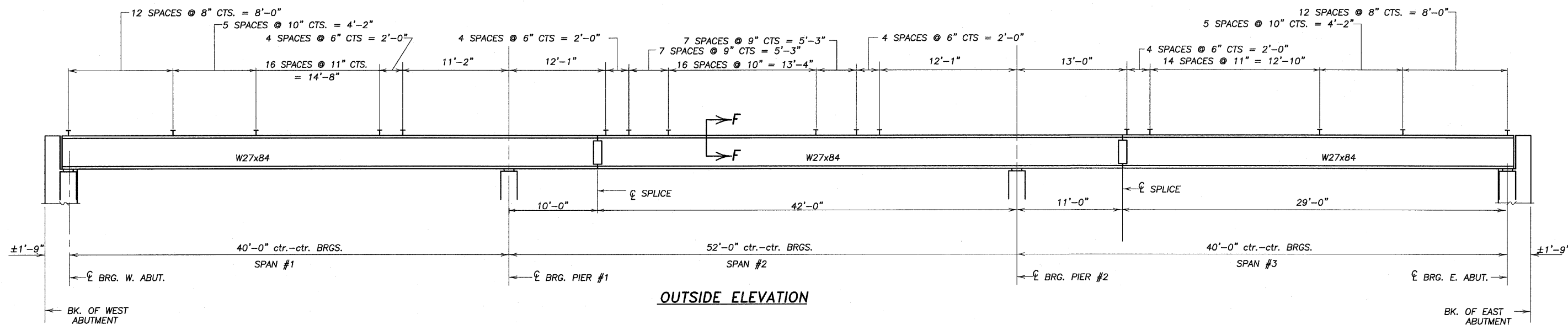
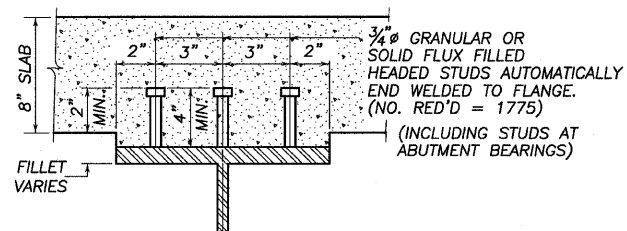


FRAMING PLAN

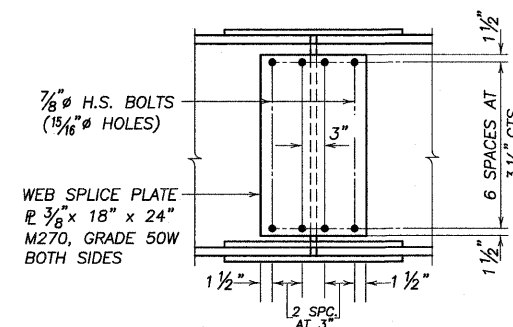
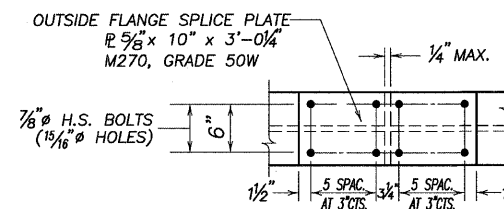


OUTSIDE ELEVATION

NOTE: SEE SEC A-A SHEET XX OF XX FOR 1 1/4" HOLE LOCATIONS IN WEB AT ENDS OF BEAM AND FOR STUD LOCATION ON TOP OF BOTTOM FLANGE AT ENDS OF BEAM.



SECTION F-F



DETAIL OF SPLICE
(ALL SPLICE PLATES N.T.R.)

FRAMING PLAN
 SECTION 01-09114-00-BR
 NORTH GROVE ROAD
 DEKALB COUNTY
 S.N. 019-4409