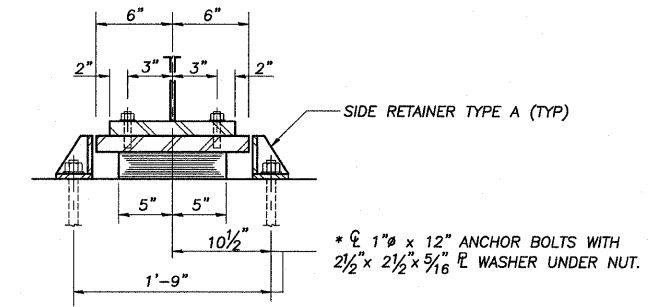
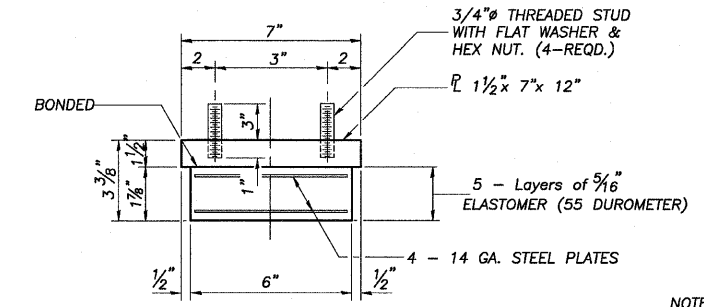


ELEVATION



SECTION A-A

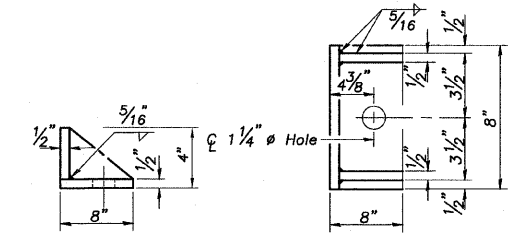


BEARING ASSEMBLY

Note: Shim plates shall not be placed under Bearing Assembly.
 *Lengths shown are the required total lengths for the Illinois Coil Anchor Bolts.

NOTE: THE STRUCTURAL STEEL BEARING PLATES OF THE ELASTOMERIC BEARING ASSEMBLY SHALL CONFORM TO THE REQUIREMENTS OF AASHTO M270 GRADE 50.

TYPE I ELASTOMERIC EXPANSION BRG. - ABUTS.
 (10 REQUIRED)



SIDE RETAINER - TYPE A

Equivalent rolled angle with stiffeners will be allowed in lieu of welded plates.
 (20 REQUIRED)

BILL OF MATERIAL

ITEM	UNIT	TOTAL
Elastomeric Bearing Assembly Type I	EACH	10

ELASTOMERIC BEARING TYPE I DETAILS
 SECTION 01-09114-00-BR
 NORTH GROVE ROAD
 DEKALB COUNTY
 S.N. 019-4409