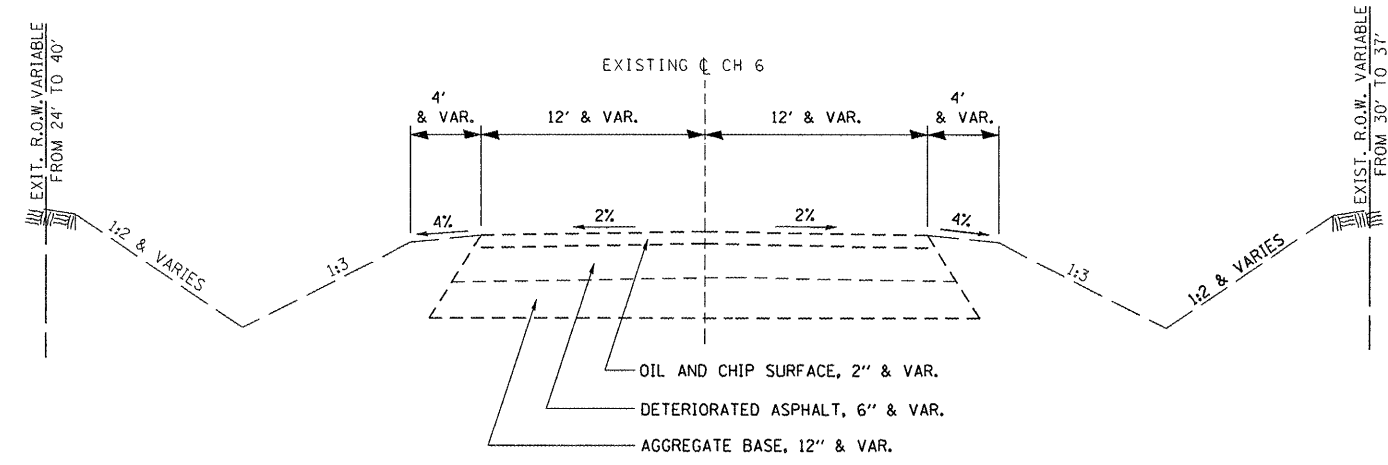
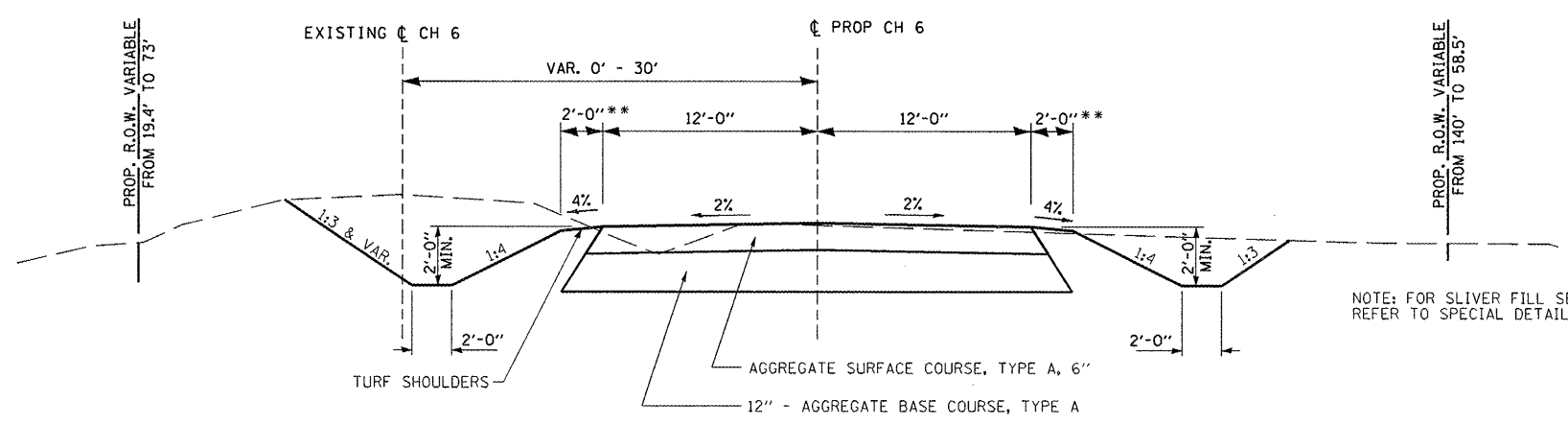


F.A.S. RTE.	SECTION	COUNTY	TOTAL SHEETS	SHEET NO.
1458	03-00125-01-GE	FULTON	48	4
STA.		TO STA.		
FED. ROAD DIST. NO.		ILLINOIS FED. AID PROJECT		

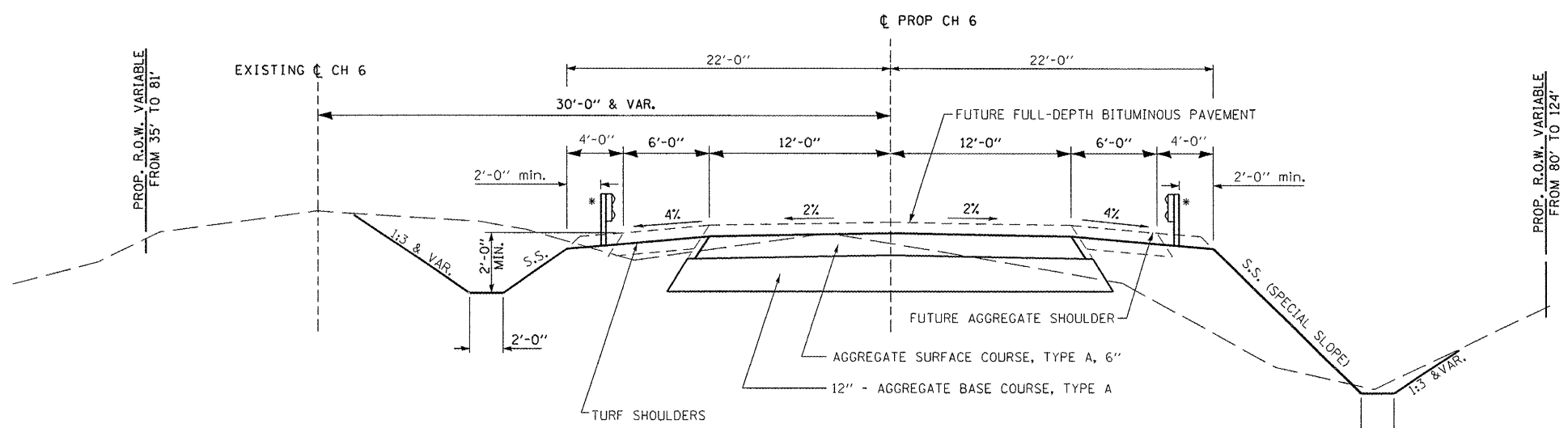


EXISTING TYPICAL SECTION



PROPOSED TYPICAL SECTION
STA 31+80.45 TO STA 38+00.00
STA 64+00.00 TO STA 70+97.16
NOTE: AGGREGATE BASE COURSE MINIMUM 12" THICKNESS

** TURF SHOULDERS TRANSITION FROM STA. 32+00.00 TO 38+00.00



PROPOSED TYPICAL SECTION
STA 38+00.00 TO STA 64+00.00

• FOR GUARD RAIL LOCATIONS, SEE SCHEDULE OF QUANTITIES.

REVISIONS	
NAME	DATE

TYPICAL SECTIONS

SCALE: VERT. HORIZ. DATE

DRAWN BY CHECKED BY