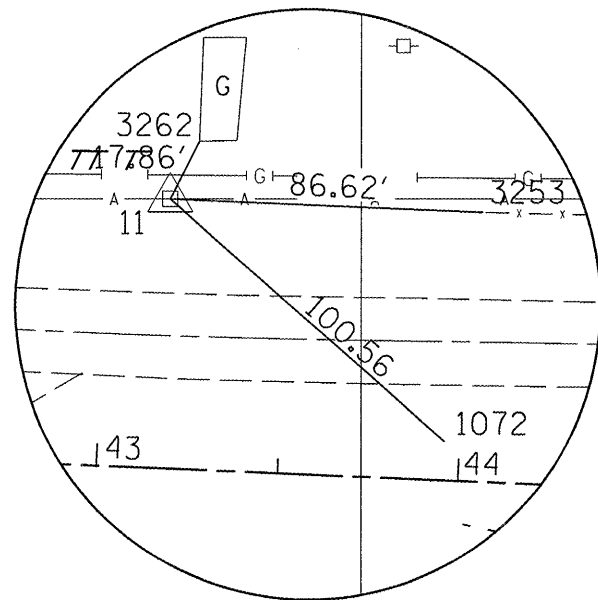
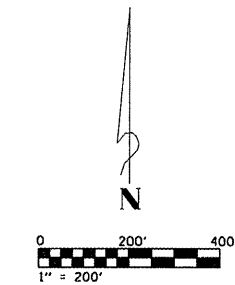
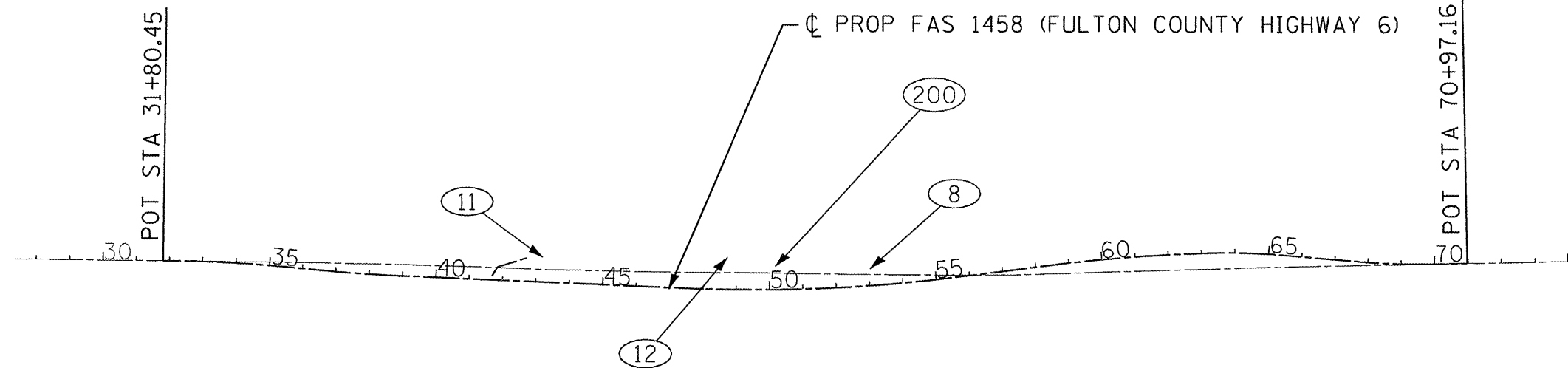
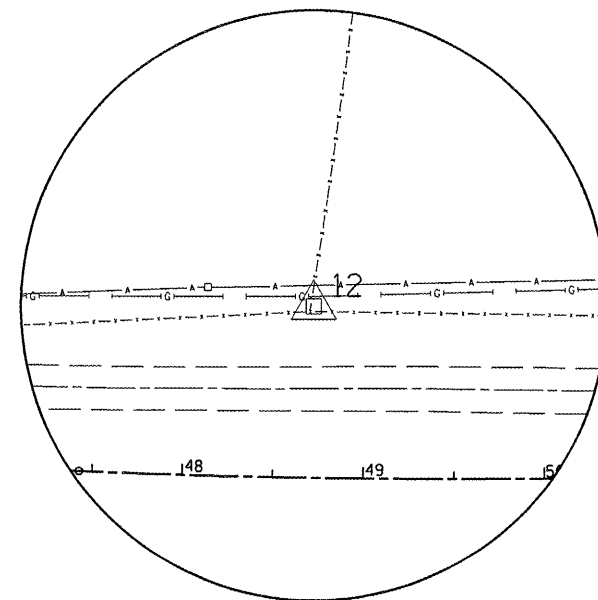


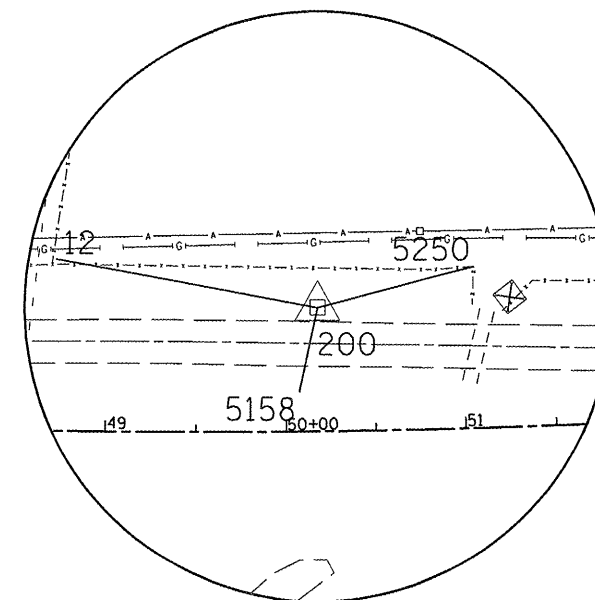
F.A.S. RTE.	SECTION	COUNTY	TOTAL SHEETS	SHEET NO.
1458	03-00125-01-GE	FULTON	48	7
STA.		TO STA.		
FED. ROAD DIST. NO.		ILLINOIS FED. AID PROJECT		



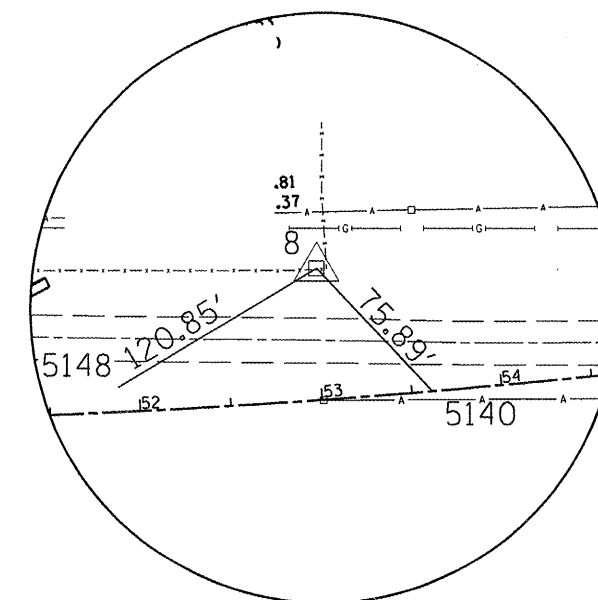
CONTROL POINT NO. 11



CONTROL POINT NO. 12



CONTROL POINT NO. 200



CONTROL POINT NO. 8

BENCHMARKS

POINT	NORTHING	EASTING	ELEVATION	STATION	OFFSET	DESCRIPTION
11	1396907.408	2339035.649	615.76	43+17.02	76.03LT	ROD FOUND
12	1396906.887	2339587.638	581.11	48+72.69	95.76LT	ROD FOUND
200	1396880.538	2339732.129	563.29	50+18.94	67.93LT	LANDSCAPE NAIL (AERIAL TARGET)
8	1396874.804	2340015.621	563.58	53+04.71	48.92LT	ROD FOUND
555	1396967.316	2344131.286	618.13			GPS CONTROL PT

REVISIONS	
NAME	DATE

HORIZONTAL AND VERTICAL CONTROL

SCALE: VERT. _____
 HORIZ. _____
 DATE _____

DRAWN BY RAW
 CHECKED BY RJA