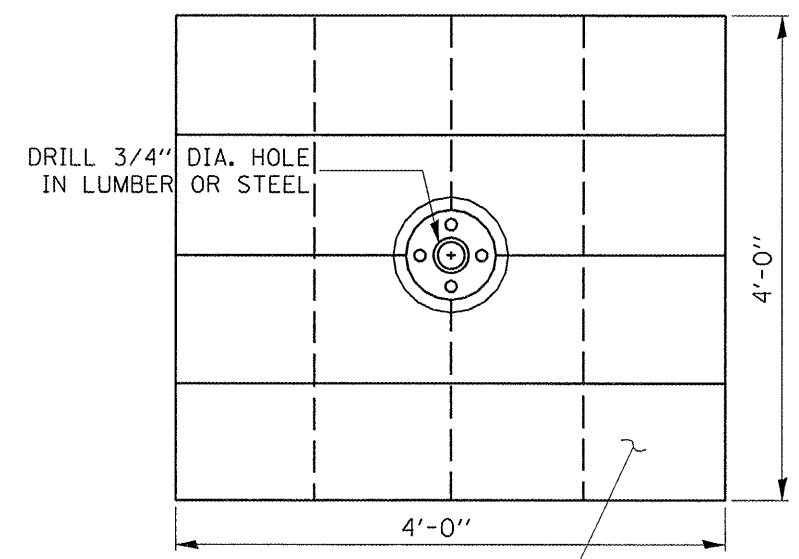
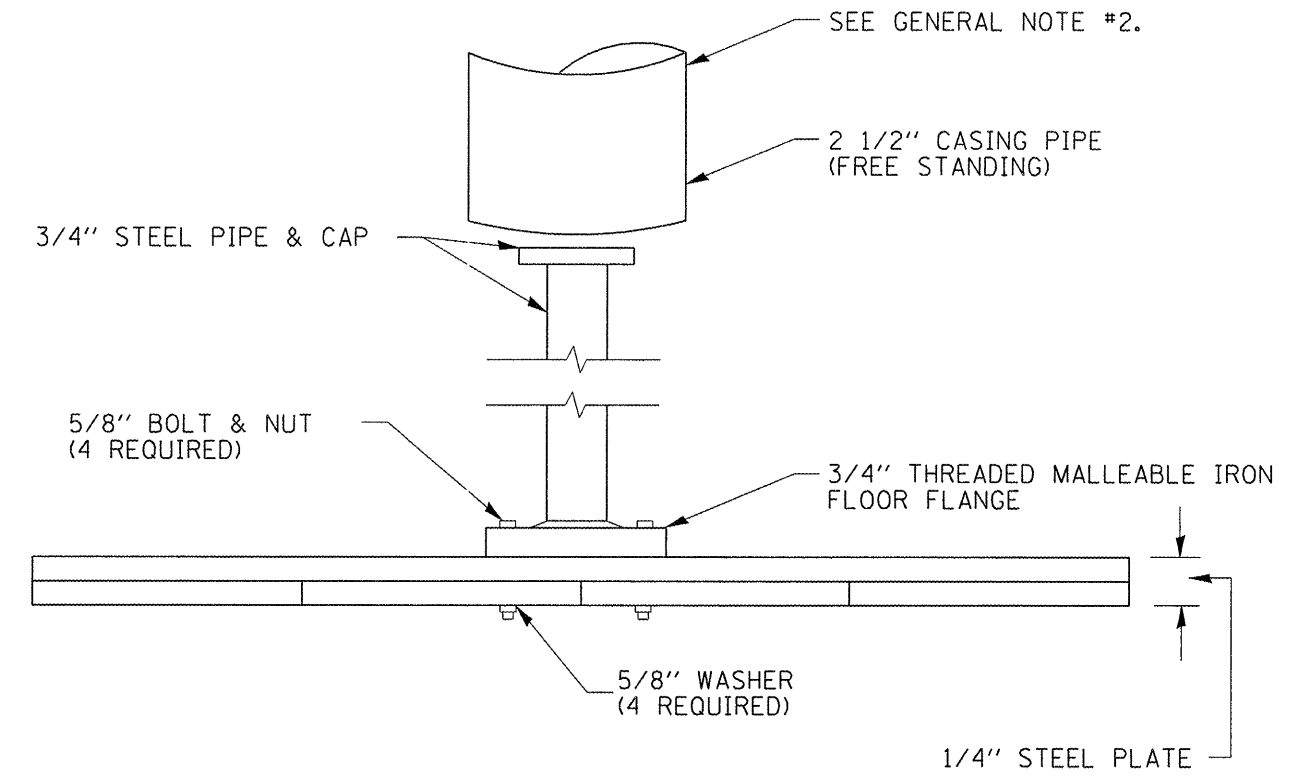


F.A.S. RTE.	SECTION	COUNTY	TOTAL SHEETS	SHEET NO.
145B	03-00125-01-GE	FULTON	48	13
STA.		TO STA.		
FED. ROAD DIST. NO.	ILLINOIS	FED. AID PROJECT		



SOUND LUMBER - 1" x 12" NAILED TOGETHER OR 1/4" THICK BY 4' SQUARE STEEL PLATE

GENERAL NOTES:

1. Settlement Platform shall be in accordance with the applicable portions of Article 204.06 of the Standard Specifications.
2. Do Not install casing pipe until after one section of 3/4" has been covered with earth. The casing pipe should not rest on platform.

IDOT DISTRICT DETAIL 205101-D4

REVISIONS	
NAME	DATE

SETTLEMENT PLATFORM

SCALE: VERT.
HORIZ.
DATE

DRAWN BY
CHECKED BY